

Slings

SIMPLE AND SAFE



Invacare Slings are designed to be simple and safe to use for both home and institutional patient lifting. The slings are manufactured from polyester fabric or mesh (suitable for bathing) with internal padding in pressure areas and utilises webbing attachment loops or keyhole buckles.



Yes, you can.®

Making Life's Experiences Possible

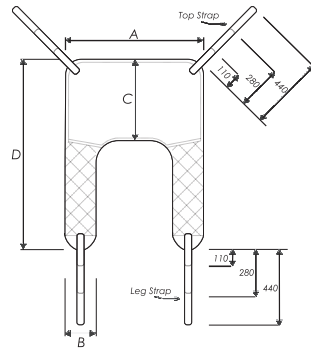
The Invacare Slings Range

To be used by a qualified carer in conjunction with an appropriate Invacare patient lifting device to support patients with disabilities. Patients must be within the capacity indicated on the sling. The carer must adhere to the usage guidelines identified in the relevant slings instruction manual. All slings come with a one year limited warranty.

GENERAL PURPOSE SLING

Available in four sizes in a choice of fabric or mesh. The sling provides easy fitting and good support for patients with some upper body control.

Recommended for general lifting.
Colour: Navy

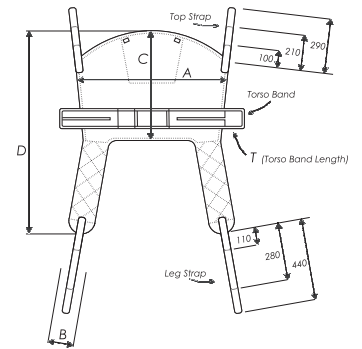


	S	M	L	XL
A	850	920	1110	1270
B	230	220	260	260
C	490	530	650	730
D	1180	1240	1360	1520
CODE	Fabric 17105	17041	17043	17204
	Mesh 17123	17124	17125	N/A

GENERAL PURPOSE HYGIENE SLING WITH HEAD SUPPORT

Available in five sizes in a choice of fabric or mesh. The sling enables easy removal of clothing or toilet transfers.

Recommended for general toilet transfers for the less secure patient.
Colour: Navy

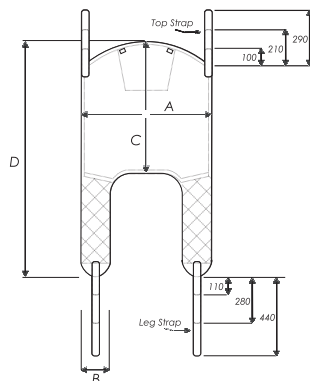


	XS	S	M	L	XL
A	670	900	1030	1100	1180
B	160	190	190	190	200
C	550	620	690	800	830
D	890	1150	1230	1430	1440
T	980	1140	1180	1320	1440
CODE	Fabric 17209	17402	17395	17396	17403
	Mesh N/A	17406	17358	17359	17407

GENERAL PURPOSE SLING WITH HEAD SUPPORT

Available in six sizes in a choice of fabric or mesh. The sling fits easily to a patient in bed or a chair, providing excellent upper body and head support.

Recommended for lifting from the floor and general lifting of the less secure patient.
Colour: Navy

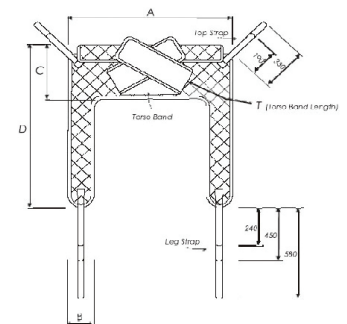


	XS	S	M	L	XL	XXL
A	820	830	970	1140	1310	1420
B	190	230	230	250	260	270
C	760	790	920	990	1000	1060
D	1290	1330	1450	1680	1720	1850
CODE	Fabric 17209	17247	17067	17069	17205	N/A
	Mesh N/A	17126	17127	17128	17248	17212

SUPREME HYGIENIC SLING

Available in three sizes and comes in fully quilted fabric only. This sling is excellent for transfers onto a toilet as it provides an open area from the middle of the back to the middle of the thigh. This sling has a buckle waist strap and features generous padding around the patient's mid-section and under arms.

Recommended for general toilet transfers.
Colour: Navy (previously Green)

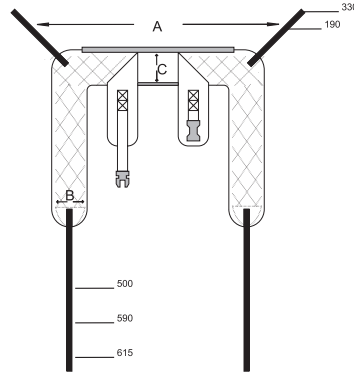


	S	M	L
A	730	870	950
B	140	140	150
C	320	330	330
D	810	1010	990
T	1180	1340	1470
CODE	Fabric 17530	17531	17532

HYGIENIC SLING

Available in two sizes and comes in fully quilted fabric only. This sling is excellent for transfers onto a toilet as it provides an open area from the middle of the back to the middle of the thigh. This sling has a buckle waist strap and features generous padding around the patient's midsection and under arms.

Recommended for general toilet transfers.
Colour: Navy (previously Green)

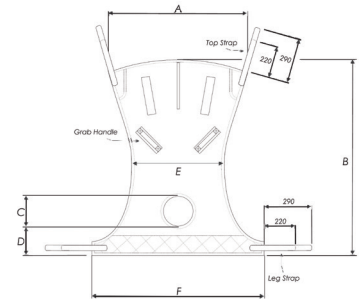


	M	L
A	870	950
B	140	150
C	330	330
D	1010	990
T	1340	1470
CODE	Fabric THY-M	THY-L

HAMMOCK SLING

Available in two sizes in a choice of fabric and mesh with a commode hole. The sling provides ultimate support and security for lifting from a bed or the floor. The patient must roll on to, and off, the sling. When fitted full head support is provided.

Recommended for single or double lower limb amputees and lifting from the floor because weight is not taken by the patient's thighs.
Colour: Navy



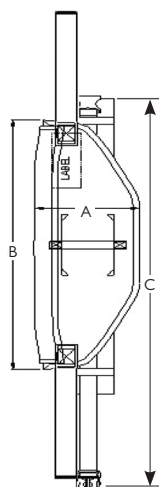
	M	L
A	890	1020
B	N/A	N/A
C	930	330
D	1010	1070
T	1170	1260
CODE	Fabric 17335	N/A
	Mesh 17236	17129

Standup Slings

The Invacare Standup Slings are designed to lift the patient comfortably from a seated position into a relaxed upright position. Recommended for patients with a reasonable level of weight bearing ability.

There are two types of slings available, based on whether it is a loop or keyhole attachment.

Loop attachment sling: Designed for use with the Invacare Roze stand-up lifter.

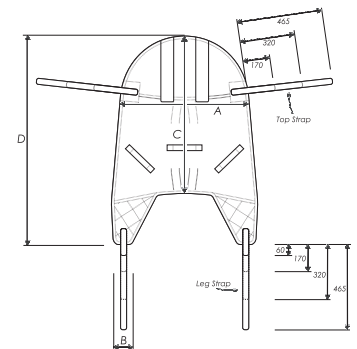


	M	L	UNI
	Buckle	Buckle	Velcro
A	240	340	360
B	820	1000	1000
C	1200	1270	1700
LOOP	Fabric 18710	18711	18713

PAEDIATRIC SLING

Available in three sizes in mesh only. The sling provides easy fitting and good support for children or small adults.

Recommended for general lifting with children or small adults.
Colour: Navy



	XS	S	M
A	580	750	760
B	100	100	100
C	720	880	950
D	1050	1190	1380
CODE	Mesh 17260	17262	17266



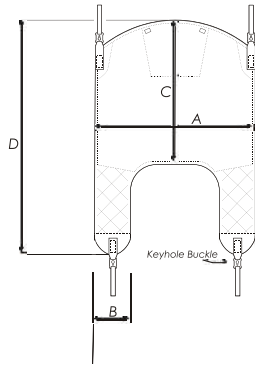
Yes, you can.®

PIVOT SLING

Available in five sizes in a choice of fabric or mesh. The sling allows a patient to be lifted in either a sitting or lying position. The ability to position a patient in the sitting posture greatly assists correct seating. A more open lift.

Recommended for general lifting including floor lifting.

Colour: Navy



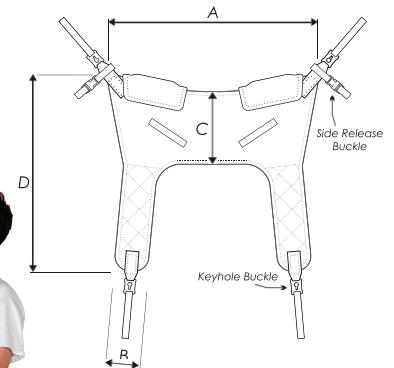
	XS	S	M	L	XL	
A	700	900	1010	1080	1280	
B	180	230	250	250	270	
C	590	790	890	990	1110	
D	840	1180	1310	1400	1590	
CODE	Fabric	N/A	17133	17134	17135	17136
	Mesh	17240	17241	17242	17243	17244

PIVOT HYGIENE SLING

Available in two sizes in mesh only. The sling provides easy removal of clothing for toilet transfers and bathing.

Recommended for general toilet transfers and bathing.

Colour: Navy



	M	L
A	820	1170
B	140	170
C	270	280
D	760	790
Mesh	17392	17393

GENERAL PURPOSE SLINGS

Webbing loops of varying lengths are provided at each connection point to allow a lay back posture for the patient or by using the shortest loops, a higher lift. General purpose slings SWL: XS - M = 205kg L - XXL = 300kg

PIVOT SLINGS

Special slings known as Pivot Slings are required for use with the Pivot Frames. The slings are manufactured from polyester fabric or mesh (suitable for bathing). These slings allow the patient to be lifted in either a sitting or lying position, ideal for lifting on and off a bed or the floor.

The unique pivot with anti-lock at the end of the boom allows the whole frame to be rocked back and forward to assist with the correct positioning of the patient. The frame spreads the sling attachment points to ensure the patient's hips are not excessively flexed, avoiding the discomfort obese patients sometimes experience with standard slings. Pivot slings SWL: XS - XXL = 205kg



FOR FURTHER INFORMATION:

New Zealand: Freephone 0800 468 222, email sales@invacare.co.nz or visit www.invacare.co.nz

Australia: Freephone 1800 460 460, email sales@invacare.com.au or visit www.invacare.com.au

Asia: Phone +61 2 8839 5330, email exportsales@invacare.com.au or visit www.invacare.com

Thailand: Phone +66 0 2108 8555 or visit www.invacare.com



Yes, you can.®