

# ***Spare Parts Catalogue***

---

Version: 2019/12/18a EN

## **Aquatec<sup>®</sup> Ocean VIP Ergo**





**Yes, you can.®**

## **General Information**

*For any order of spare parts the following information is required:*

- Product type*
- Product name & model*
- Serial Number*
- Part-Number*
- Part-Description*

*Exploded view drawings and code numbers are not contractual and subject to modification, in relation to Invacare® continuous product improvement policy to meet end users needs.*

*The reproduction or use of this work, or of any substantial part of this work, in any form or by any electronic, mechanical or other means, including photocopying, scanning and recording, and in any information storage and retrieval system, including electronic transmission, is forbidden without the prior written permission of Invacare® International Sarl.*



**Yes, you can.®**

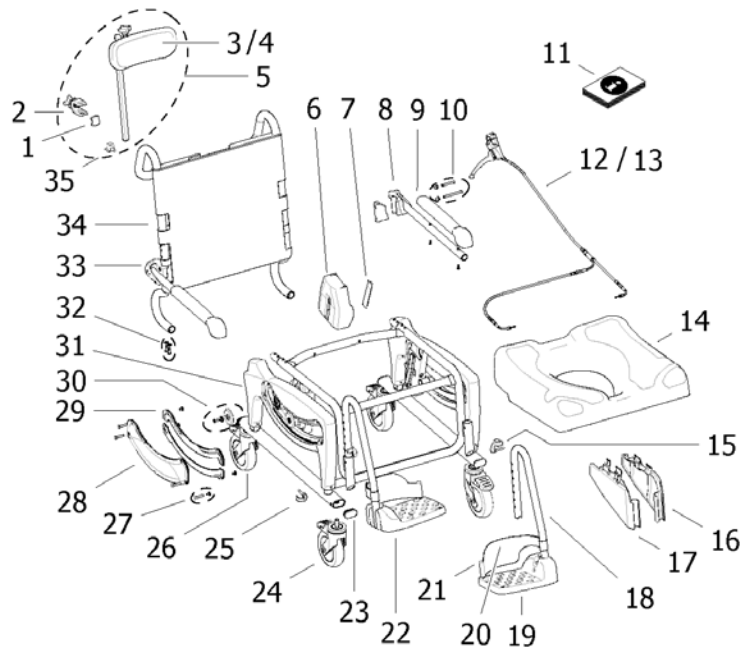
## **TABLE OF CONTENTS**

---

Spare Parts Ocean VIP Ergo .....	5
Accessories Ocean (Dual-)VIP Ergo .....	7



## Spare Parts Ocean VIP Ergo

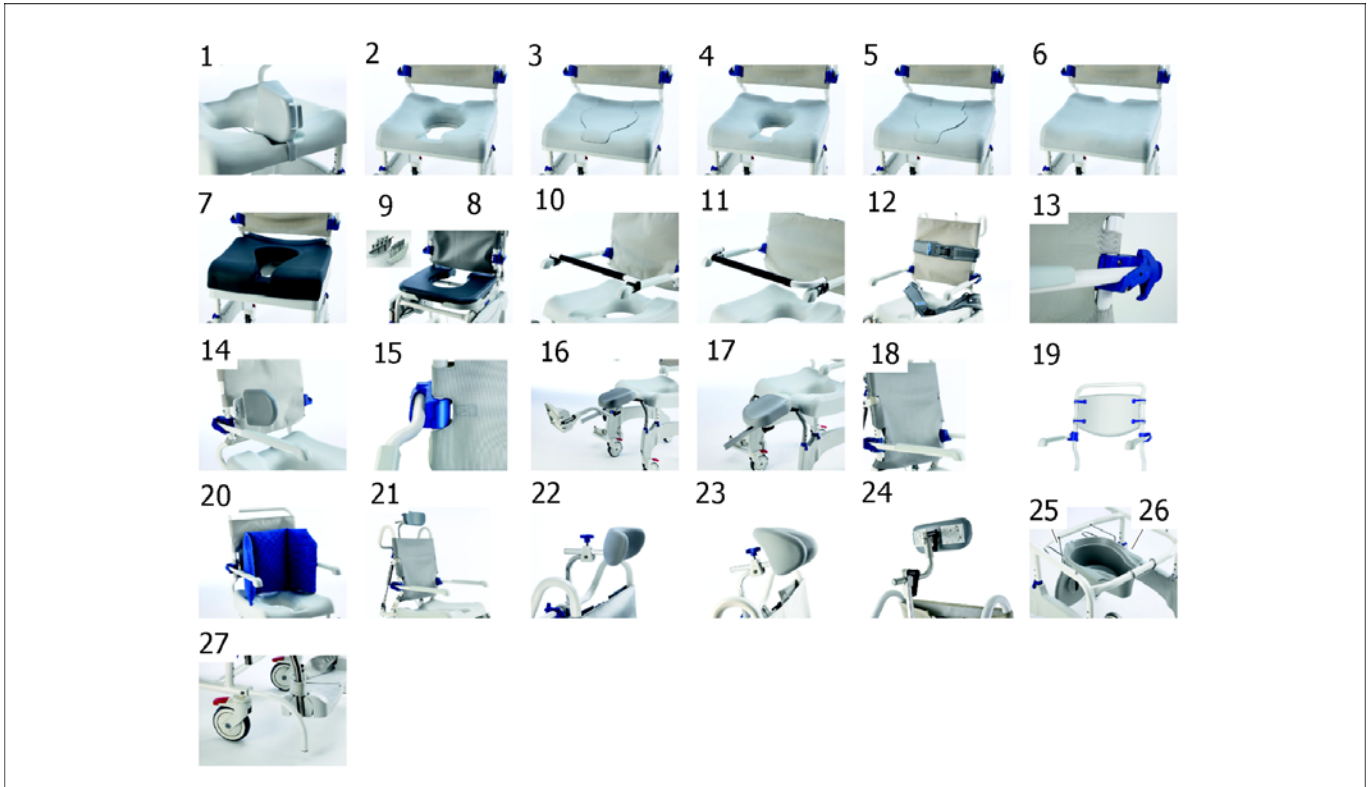


Pos.	Part number	Description	Valid from → until	Qty
1	1514509	Clamp for headrest - Ocean (Dual-)VIP / Ocean E-VIP / Ocean (Dual-)VIP Ergo		1
2	1470971	Holder for headrest cpl. - Ocean (Dual-)VIP / Ocean E-VIP / Ocean (Dual-)VIP Ergo		1
3	1470700	Headrest cpl., assembled, without holder - Ocean (Dual-)VIP / Ocean E-VIP / Ocean (Dual-)VIP Ergo		1
4	SP1607172	Cushion headrest with screws - Ocean (Dual-)VIP Ergo		1
5	1470790	Headrest complete with pad, holder - Ocean (Dual-)VIP / Ocean E-VIP / Ocean (Dual-) VIP Ergo		1
6	SP1607763	Brake cover - Ocean (Dual-)VIP Ergo		2
7	SP1607764	Brake lever cover - Ocean (Dual-)VIP Ergo		2
8	1470694	Armrest assembly, incl. holder and screws pre-assembled, left - Ocean Family / Ocean Ergo Family		1
9	16472	Overlay for armrest tube incl. screws - Ocean Family, Ocean Ergo Family		2
10	1471052	Screws (set) for armrest - Ocean Family / Ocean Ergo Family		2
11	SP1639504	UM Ocean VIP + Dual Ergo West Europe		1
11	SP1639505	UM Ocean VIP + Dual Ergo Scandinavia		1
11	SP1639562	UM Ocean VIP + Dual Ergo East Europe		1
12	SP1607176	Bowden cable w/o activation lever for seat tilting - Ocean (Dual-)VIP Ergo		1
13	SP1607744	Bowden cable with activation lever for seat tilting - Ocean (Dual-)VIP Ergo		1
14	SP1607743	Seat plate for Ocean Ergo		1
15	SP1607742	Clip foot rest for Ocean Ergo		2
16	SP1607003	Clamping protection cover left - Ocean (Dual-)VIP Ergo		1
17	SP1607807	Clamping protection cover right - Ocean (Dual-)VIP Ergo		1
18	SP1643541	Footrest cpl., left - Ocean (XL) / Ocean (Dual-)VIP / Ocean Ergo Family		1
19	1470689	Footrest plate - Ocean / Ocean (Dual-)VIP / Ocean Ergo Family		2
20	16334	Heel loop - Ocean Family / Ocean Ergo Family		2
21	SP1607170	Peg for heel strap incl. screw - Ocean Family / Ocean Ergo Family		2
22	SP1643542	Footrest cpl., right - Ocean (XL) / Ocean (Dual-)VIP / Ocean Ergo Family		1
23	SP1607765	Plug for frame - Ocean (Dual-)VIP Ergo		4
24	SP1607628	Castor 5" - Ocean Ergo Family		3
25	16256	Clip for frame - Ocean / Ocean Ergo Family		4
26	SP1607741	Castor 5" with direction lock for Ocean Ergo family		1

## Spare Parts Ocean VIP Ergo

Pos.	Part number	Description	Valid from → until	Qty
27	SP1607174	Connection for cover side part - Ocean (Dual-)VIP Ergo		1
28	SP1607762	Cover side part, outer Ocean VIP Ergo		2
29	SP1607173	Cover side part, inner Ocean VIP Ergo		2
30	SP1607207	Flanged wheels incl. attachment - Ocean (Dual-)VIP Ergo		2
31	SP1607761	Side part - Ocean (Dual-)VIP Ergo		2
32	1542900	Attachment set backrest - Ocean / Ocean (Dual-)VIP / Ocean Ergo Family		1
33	1470693	Armrest assembly, incl. holder and screws pre-assembled, right - Ocean Family / Ocean Ergo Family		1
34	AP1603027	Backrest cover Ocean (Dual-)VIP Ergo		1
35	SP60122636	Set, plugs (10 pcs.) for headrest tube, Ocean / Ocean Ergo		3

## Accessories Ocean (Dual-)VIP Ergo



Pos.	Part number	Description	Valid from → until	Qty
1	AP1603155	Splash guard - Ocean Ergo Family		1
2	AP1603142	Standard soft seat - Ocean Ergo Family		1
3	AP1603143	Soft seat insert - Ocean Ergo Family		1
4	AP1603145	Small soft seat - Ocean Ergo Family		1
5	AP1603152	Small soft seat insert - Ocean Ergo Family		1
6	AP1603154	Universal soft seat - Ocean Ergo Family		1
7	AP60121311	Ergonomic special soft seat - Ocean Ergo Family		1
8	1544469	Variable soft seat set cpl. - Ocean / Ocean (Dual-)VIP / Ocean Ergo Family <i>For use with Ocean (Dual-)VIP Ergo order also AP1605002</i>		1
8	1545659	Clip for Variable Softseat (spare part)		1
9	AP1605002	Protection cover for variable soft seat used with - Ocean (Dual-)Vip Ergo		1
10	10167-10	Safety bar - Ocean/ (Dual-)Vip / Ocean E-Vip / Ocean (24") Ergo / Ocean (Dual-)VIP Erg		1
11	1470078	Safety bar XL, curved - Ocean XL /Ocean (Dual-)VIP XL / Ocean E-Vip XL / Ocean (24") Ergo XL		1
12	1470081	Chest belt - Ocean Family / Ocean Ergo Family		1
12	1470082	Pelvis belt - Ocean Family / Ocean Ergo Family		1
13	1470077	Armrest lock (pair) - Ocean Family / Ocean Ergo Family		1
14	1535077	Lateral - Ocean Family / Ocean Ergo Family		1
15	1470086	XL-armrests (pair) - Ocean (Dual-)VIP / Ocean E-VIP / Ocean (24") Ergo / Ocean (Dual-)VIP Ergo		1
16	AP1643543	Calf support with foot support, right - Ocean Family / Ocean Ergo Family		1
16	AP1643572	Calf support with foot support, left - Ocean Family / Ocean Ergo Family		1
17	AP1643573	Calf and amputee support, right - Ocean Family / Ocean Ergo Family		1
17	AP1643574	Calf and amputee support, left - Ocean Family / Ocean Ergo Family		1
17	1546708	Calf support pad with fixation (spare part for calf (and amputee) support)		1
17	1546325	Calf support pad without fixation (spare part for calf (and amputee) support)		1
17	1563300	Foot support for calf support, right (spare part for calf (and amputee) support)		1
17	1563156	Foot support for calf support, left (spare part for calf (and amputee) support)		1

**Accessories Ocean (Dual-)VIP Ergo**

Pos.	Part number	Description	Valid from → until	Qty
18	AP1603606	Comfort soft backrest - Ocean (Dual-)VIP Ergo		1
19	1575299	Fixed backrest - Ocean/ (Dual-)Vip / Ocean E-Vip / Ocean (24") Ergo / Ocean (Dual-)VIP Erg		1
20	1558769	Soft cushion w/cover blue - Ocean Family / Ocean Ergo Family		1
21	AP1606976	Reclining backrest - Ocean VIP Ergo		1
22	1531465	Ergonomic headrest pad (small) incl. screws - Ocean (Dual-)VIP / Ocean E-VIP / Ocean (Dual-)VIP Ergo		1
23	1531608	Ergonomic headrest pad (large) incl. screws - Ocean (Dual-)VIP / Ocean E-VIP / Ocean (Dual-)VIP Ergo		1
24	1531613	Adjustable head rest holder - Ocean (Dual-) VIP / Ocean E-VIP / Ocean (Dual-)VIP Ergo		1
25	AP1602078	Toilet pan holder - Ocean Ergo Family		1
26	10230	Toilet pan with lid - Ocean Family / Ocean Ergo Family		1
27	AP1603992	Front and back anti-tipper - Ocean (Dual-)Vip Ergo		1







Yes, you can.®



---

**Belgium & Luxemburg:**

Invacare nv, Autobaan 22, B-8210 Loppem  
Tel: (32) (0)50 83 10 10, Fax: (32) (0)50 83 10 11  
belgium@invacare.com / www.invacare.be

**Denmark:**

Invacare A/S, Sdr. Ringvej 37, DK-2605 Brøndby  
Tel: (45) (0)36 90 00 00, Fax: (45) (0)36 90 00 01  
denmark@invacare.com / www.invacare.dk

**Deutschland:**

Invacare Aquatec GmbH, Alemannenstraße 10, D-88316 Isny  
Tel: (49) (0)75 62 7 00 0, Fax: (49) (0)75 62 7 00 66  
info@invacare-aquatec.com / www.invacare-aquatec.de

**European Distributor Organisation:**

Invacare, Kleiststraße 49, D-32457 Porta Westfalica  
Tel: (49) (0)57 31 754 540, Fax: (49) (0)57 31 754 541  
edo@invacare.com / www.invacare.eu.com

**España:**

Invacare SA, c/Areny s/n, Polígon Industrial de Celrà, E-17460 Celrà (Girona)  
Tel: (34) (0)972 49 32 00, Fax: (34) (0)972 49 32 20  
contactsp@invacare.com / www.invacare.es

**France:**

Invacare Poirier SAS, Route de St Roch, F-37230 Fondettes  
Tel: (33) (0)2 47 62 64 66, Fax: (33) (0)2 47 42 12 24  
contactfr@invacare.com / www.invacare.fr

**Ireland:**

Invacare Ireland Ltd, Unit 5 Seatown Business Campus, Seatown Road, Swords, County Dublin - Ireland  
Tel: (353) 1 810 7084, Fax: (353) 1 810 7085  
ireland@invacare.com / www.invacare.ie

**Italia:**

Invacare Mecc San s.r.l., Via dei Pini 62, I-36016 Thiene (VI)  
Tel: (39) 0445 38 00 59, Fax: (39) 0445 38 00 34  
italia@invacare.com / www.invacare.it

**Nederland:**

Invacare BV, Celsiusstraat 46, NL-6716 BZ Ede  
Tel: (31) (0)318 695 757, Fax: (31) (0)318 695 758  
nederland@invacare.com, csede@invacare.com / www.invacare.nl

**Norge:**

Invacare AS, Grensesvingen 9, Postboks 6230, Etterstad, N-0603 Oslo  
Tel: (47) (0)22 57 95 00, Fax: (47) (0)22 57 95 01  
norway@invacare.com, island@invacare.com / www.invacare.no

**Österreich:**

Invacare Austria GmbH, Herzog Odilostrasse 101, A-5310 Mondsee  
Tel: (43) 6232 5535 0, Fax: (43) 6232 5535 4  
info-austria@invacare.com / www.invacare.at

**Portugal:**

Invacare Lda, Rua Estrada Velha, 949, P-4465-784 Leça do Balio  
Tel: (351) (0)225 1059 46/47, Fax: (351) (0)225 1057 39  
portugal@invacare.com / www.invacare.pt

**Sverige & Suomi:**

Invacare AB, Fagerstagatan 9, S-163 91 Spånga  
Tel: (46) (0)8 761 70 90, Fax: (46) (0)8 761 81 08  
sweden@invacare.com, finland@invacare.com / www.invacare.se

**Switzerland:**

Invacare AG, Benkenstrasse 260, CH-4108 Witterswil  
Tel: (41) (0)61 487 70 80, Fax: (41) (0)61 487 70 81  
switzerland@invacare.com / www.invacare.ch

**United Kingdom:**

Invacare Limited, Pencoed Technology Park, Pencoed, Bridgend CF35 5AQ  
Switchboard Tel: (44) (0)1656 776200, Fax: (44) (0)1656 776201  
Customer services Tel: (44) (0)1656 776222, Fax: (44) (0)1656 776220  
uk@invacare.com / www.invacare.co.uk