

Küschall® Champion

en Active wheelchair
User Manual



This manual **MUST** be given to the user of the product.
BEFORE using this product, this manual **MUST** be read and saved for
future reference.

Küschall®
UNLIMIT YOUR WORLD

© 2019 Invacare Corporation

All rights reserved. Reproduction, duplication or modification in whole or in part is prohibited without prior written permission from Invacare. Trademarks are identified by ™ and ®. All trademarks are owned by or licensed to Invacare Corporation or its subsidiaries unless otherwise noted.

Contents

1 General	5
1.1 Introduction	5
1.2 Symbols in this document	5
1.3 Warranty Information	5
1.4 Compliance	6
1.4.1 Product-specific standards	6
1.5 Service life	6
1.6 Limitation of Liability	6
2 Safety	7
2.1 Safety information	7
2.2 Labels and symbols on the product	8
3 Product Overview	10
3.1 Product description	10
3.2 Intended Use	10
3.3 Main parts of the wheelchair	10
3.4 Parking brakes	11
3.5 Backrest	13
3.5.1 Stabilizing bar for the backrest	13
3.5.2 Push handles	14
3.6 Side parts	15
3.6.1 Tubular armrest, non-locking, height-adjustable, removable, swivelling	15
3.6.2 Side rest, stepless height-adjustable, non-locking	16
3.6.3 Mudguard	16
3.6.4 Clothes-guard	17
3.7 Calf strap	17
3.8 Seat cushion	18
4 Options	19
4.1 Antitipper	19
4.2 Posture belt	20
4.3 Transit wheels	21
4.4 Tipper aid	22
4.5 Cane holder	22
4.6 Air pump	23
4.7 Passive illumination	23
4.8 Wheelchair carry bag (optional)	23
5 Setup	24
5.1 Safety information	24
6 Using the wheelchair	25
6.1 Safety information	25
6.2 Braking during use	25
6.3 Getting in and out of the wheelchair	26
6.4 Driving and steering the wheelchair	27
6.5 Negotiating steps and kerbs	28
6.6 Going up and down stairs	30
6.7 Negotiating ramps and slopes	30
6.8 Stability and balance when seated	32
7 Transport	33
7.1 Safety information	33
7.2 Folding and unfolding the wheelchair	33
7.3 Removing and installing the rear wheels	34
7.4 Folding/unfolding the front frame (SK option: folding front frame)	35
7.5 Securing strap	37
8 Maintenance	38
8.1 Safety information	38
8.2 Maintenance Schedule	38
8.3 Cleaning and Disinfection	40
8.3.1 General safety information	40
8.3.2 Cleaning Intervals	41
8.3.3 Cleaning	41
8.3.4 Disinfection	41
9 After Use	42
9.1 Storage	42
9.2 Reconditioning	42
9.3 Disposal	42

10 Troubleshooting	43
10.1 Safety information	43
10.2 Identifying and repairing faults	44
11 Technical Data	46
11.1 Dimensions and weight	46
11.2 Tyres	47
11.3 Materials	48
11.4 Environmental conditions	48

1 General

1.1 Introduction

This user manual contains important information about the handling of the product. To ensure safety when using the product, read the user manual carefully and follow the safety instructions.

Note that there may be sections in this document, which are not relevant to your product, since this document applies to all available models (on the date of printing). If not otherwise stated, each section in this document refers to all models of the product.

The models and configurations available in your country can be found in the country-specific price lists.

Invacare reserves the right to alter product specifications without further notice.

Before reading this document, make sure you have the latest version. You find the latest version as a PDF on the Invacare website.

If you find that the font size in the printed document is difficult to read, you can download the PDF version from the website. The PDF can then be scaled on screen to a font size that is more comfortable for you.

For more information about the product, for example product safety notices and product recalls, contact your Invacare representative. See addresses at the end of this document.

In case of a serious incident with the product, you should inform the manufacturer and the competent authority in your country.

1.2 Symbols in this document

Symbols and signal words are used in this document and apply to hazards or unsafe practices which could result in personal injury or property damage. See the information below for definitions of the signal words.



WARNING

Indicates a hazardous situation that could result in serious injury or death if it is not avoided.



CAUTION

Indicates a hazardous situation that could result in minor or slight injury if it is not avoided.



IMPORTANT

Indicates a hazardous situation that could result in damage to property if it is not avoided.



Tips and Recommendations

Gives useful tips, recommendations and information for efficient, trouble-free use.

1.3 Warranty Information

We provide a manufacturer's warranty for the product in accordance with our General Terms and Conditions of Business in the respective countries.

Warranty claims can only be made through the provider from whom the product was obtained.

1.4 Compliance

Quality is fundamental to the company's operation, working within the disciplines of ISO 13485.

This product features the CE mark, in compliance with the Medical Device Regulation 2017/745 Class I. The launch date of this product is stated in the CE declaration of conformity.

We are continuously working towards ensuring that the company's impact on the environment, locally and globally, is reduced to a minimum.

We only use REACH compliant materials and components.

1.4.1 Product-specific standards

The wheelchair has been tested in accordance with EN 12183. It includes a test for flammability.

For further information about local standards and regulations, contact your local Invacare representative. See addresses at the end of this document.

1.5 Service life

The expected service life of this product is five years when used daily and in accordance with the safety instructions, maintenance intervals and correct use, stated in this manual. The effective service life can vary according to frequency and intensity of use.

1.6 Limitation of Liability

Invacare accepts no liability for damage arising from:

- Incorrect use
- Natural wear and tear
- Incorrect assembly or set-up by the purchaser or a third party
- Technical modifications
- Unauthorised modifications and/or use of unsuitable spare parts

- Non-compliance with the user manual

2 Safety

2.1 Safety information

This section contains important safety information for the protection of the wheelchair user and assistant and for safe, trouble-free use of the wheelchair.



WARNING!

Risk of accidents and serious injury

Accidents with resulting serious injury can occur if the wheelchair is improperly adjusted.

- Wheelchair adjustments must always be carried out by a qualified technician.



WARNING!

Risk due to driving style being unsuitable for the conditions

There is a risk of skidding on wet ground, gravel or uneven terrain.

- Always adjust your speed and driving style to the conditions (weather, surface, individual ability, etc.).



WARNING!

Risk of injury

In a collision you could sustain injury to parts of your body that extend beyond the wheelchair (e.g. feet or hands).

- Avoid an unbraked collision.
- Never drive into an object head-on.
- Drive carefully through narrow passages.



WARNING!

Risk due to wheelchair being out of control

At high speed you could lose control of your wheelchair and overturn.

- Always adjust your driving speed to the given conditions.
- Avoid collisions in general.



WARNING!

Risk of accidents

Safety devices that are incorrectly set or no longer working (brakes, antitipper) can cause accidents.

- Always check that the safety devices are working before you use the wheelchair and have them regularly checked by a qualified technician or your provider.



CAUTION!

Risk of burning

The wheelchair components can heat up when exposed to external sources of heat.

- Do not expose the wheelchair to strong sunlight before use.
- Before usage, check all components that come into contact with your skin for their temperature.



CAUTION!

Risk of getting fingers caught

There is always a risk of getting, e.g. fingers or arms, caught in the moving parts of the wheelchair.

- Make sure when activating the folding or insertion mechanisms of moving parts, such as the removable axle of the rear wheel, folding backrest or antitipper, that nothing becomes caught.



CAUTION!

Risk of injury

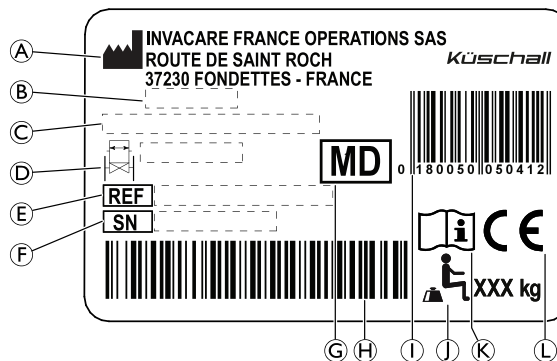
Non-original or wrong accessories may affect the function and safety of the product.

- Only use original accessories for the product in use.
- Due to regional differences, refer to your local Invacare catalog or website for available accessories or contact your local Invacare representative. See addresses at the end of this document.

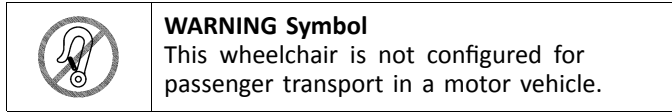
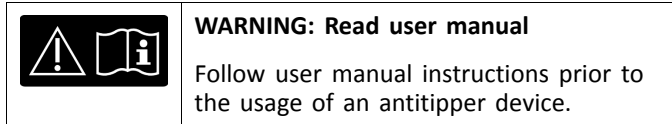
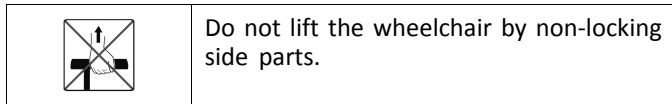
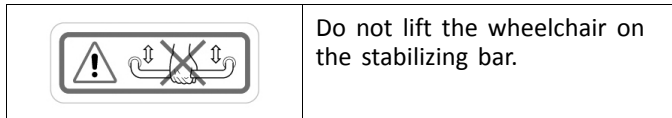
2.2 Labels and symbols on the product

Identification label

The identification label is attached to the frame of your wheelchair and gives the following information:



A	Manufacturer's address
B	Date of manufacture
C	Product description
D	Seat width
E	Reference number
F	Serial number
G	Medical device
H	Serial number barcode
I	EAN/HMI barcode
J	Maximum user weight
K	Read user manual
L	European conformity

Snap hook symbol**Antitipper warning label****Non-locking side parts warning label****Stabilizing bar warning label**

3 Product Overview

3.1 Product description

The küschall Champion is a folding active wheelchair with a horizontal folding mechanism.

! IMPORTANT!

- The wheelchair is manufactured and configured individually to the specifications in the order. The specification must be performed by a healthcare professional according to the user's requirements and health condition.
 - Consult a healthcare professional if you intend to adapt the wheelchair configuration.
 - Any adaptation should be performed by a qualified technician.

3.2 Intended Use

The wheelchair is intended to provide mobility to persons limited to a sitting position, who are propelling the wheelchair themselves most of the time.

The intended user is the wheelchair occupant and/or an assistant. The user should physically and mentally be able to use the wheelchair safely (e.g. to propel, steer, brake).

The wheelchair is intended for persons, ages 12 and up (adolescents and adults). The weight of the wheelchair occupant should not exceed the maximum user weight as stated in the Technical Data section and on the identification label.

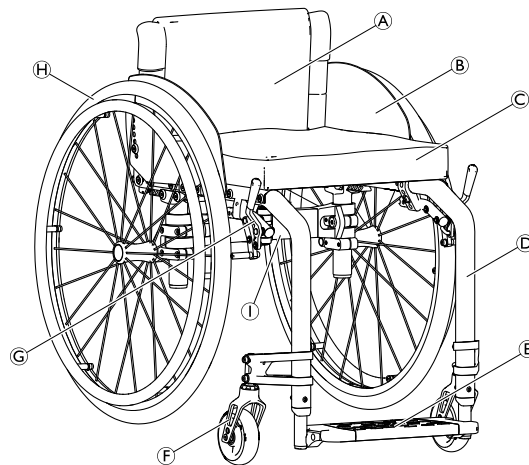
The wheelchair may be used indoors and outdoors on level ground and accessible terrain.

Indications


- Considerable to complete impairment of mobility due to structural and/or functional damage to the lower extremities.
- Sufficient strength and gripping function of arms and hands to propel the wheelchair.

There are no contraindications known, when using the wheelchair as intended.

3.3 Main parts of the wheelchair



Ⓐ	Backrest
Ⓑ	Clothes-guard
Ⓒ	Seat with cushion
Ⓓ	Frame
Ⓔ	Footrest
Ⓕ	Castor fork with castor wheel
Ⓖ	Parking brake
Ⓗ	Rear wheel with handrim and quick-release axle
Ⓘ	Folding mechanism

 The equipment of your wheelchair may differ from the image as each wheelchair is manufactured individually to the specifications in the order.

3.4 Parking brakes

The parking brakes are used to immobilise the wheelchair when it is stationary to prevent it from rolling away.



WARNING!

Risk of overturning if you brake sharply

If you engage the parking brakes while you are moving, the direction of movement can become uncontrollable and the wheelchair may stop suddenly, which can lead to a collision or to you falling out.

– Never engage the parking brakes while you are moving.



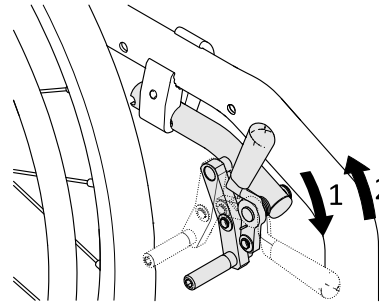
WARNING!

Risk of overturning

The parking brakes will not operate correctly unless there is sufficient air pressure in the tyres.

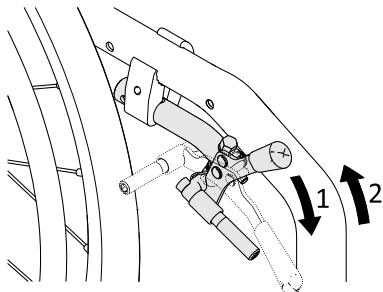
– Ensure the correct tyre pressure, see chapter 11.2 Tyres, page 47.

Standard brake



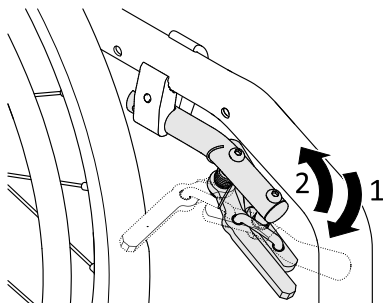
1. To engage the brake, push the brake lever forwards as far as possible.
2. To disengage the brake, pull the brake lever backwards.

Performance brake



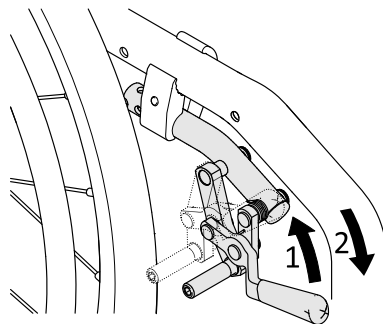
1. To engage the brake, push the brake lever forwards as far as possible.
2. To disengage the brake, pull the brake lever backwards.

Active brake



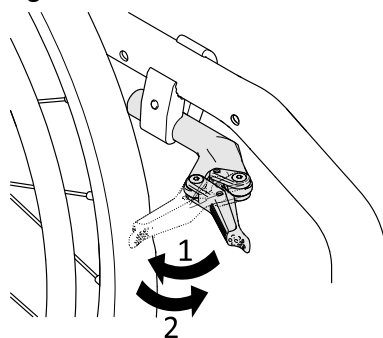
1. To engage the brake, pull the brake lever forwards beside or between your knees as far as possible.
2. To disengage the brake, push the brake lever backwards beside or between your knees.

Pull brake



1. To engage the brake, pull the brake lever backwards as far as possible.
2. To disengage the brake, push the brake lever forwards.

Light active brake



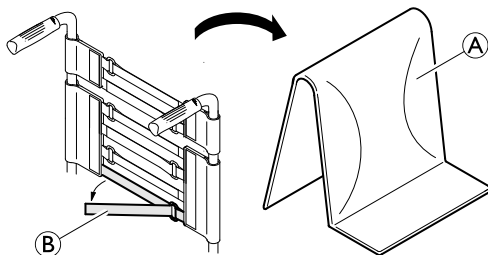
1. To engage the brake, pull the brake lever backwards against the tyre as far as possible.
2. To disengage the brake, push the brake lever forwards.

3.5 Backrest

Backrest cover

In addition to the non-adjustable backrest cover, there are tension adjustable backrest covers available.

Adjusting the tension of the backrest cover



1. Remove the backrest cushion **A**.
2. Loosen the hook and loop straps **B** on the rear of the backrest cover by simply pulling on them.
3. Tighten or loosen the bands as required then reattach them.



WARNING!

Risk of tipping

If the bands are set very loose, the tipping point of your wheelchair is changed for the worse.

- Ensure that the bands are set correctly.



IMPORTANT!

There is a risk that the geometry of the wheelchair is changed when the bands are overtightened.

- Do not overtighten the bands.
- Only ever tighten the bands when the wheelchair is unfolded.

For folding the backrest, see chapter 7.2 *Folding and unfolding the wheelchair*, page 33.

Backrest height / Backrest angle

The height and the angle of the backrest can be adjusted. The adjustment must be carried out by a qualified technician.

3.5.1 Stabilizing bar for the backrest

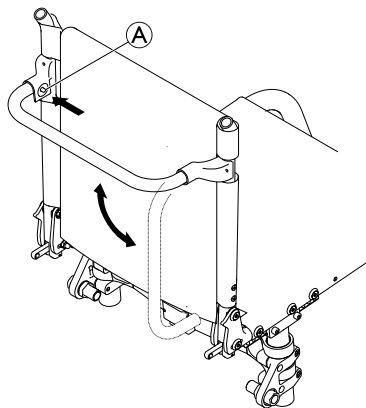
An optional stabilizing bar is available to increase the rigidity of the backrest on wheelchairs with large back heights or widths.



IMPORTANT!

- Do not use the stabilizing bar to lift or push the wheelchair. It could break.
- Release the stabilizing bar before folding the wheelchair.

Releasing the stabilizing bar



1. Push the spring pin **A** on the fastening on the left-hand side and swivel the stabilizing bar downwards.

The stabilizing bar can also be completely removed, by pushing the spring pins on both sides. The stabilizing bar can then be taken off.

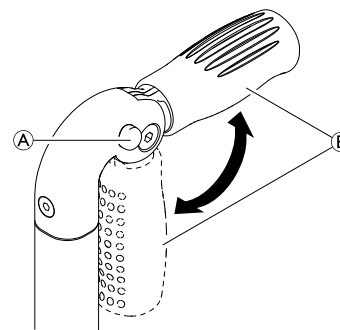
3.5.2 Push handles



IMPORTANT!

- Always check the push handles before using the wheelchair, as to whether the hand grips are secure, cannot be turned and cannot be pulled off.

Foldable push handles



1. Fully depress button **A** and fold up respectively fold down the push handle **B** until it audibly engages.



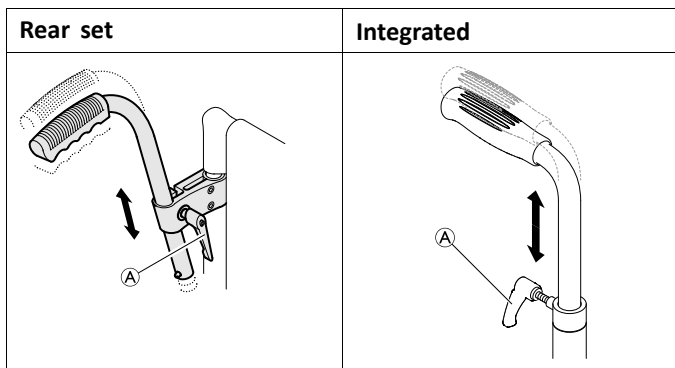
CAUTION!

If not correctly engaged, the push handle could accidentally fold down while pushing the wheelchair.

- Make sure that the push handle is correctly engaged.

Height-adjustable push handles

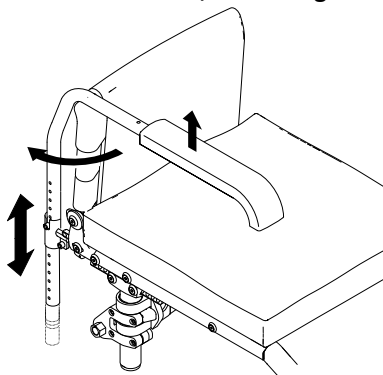
The stepless height-adjustable push handles allow any assistant to adjust the handles to a comfortable level.



1. To set the height of the push handles, loosen the bolt **A**, push the handle to the desired position and tighten the bolt again.

3.6 Side parts

3.6.1 Tubular armrest, non-locking, height-adjustable, removable, swivelling



1659306-B



WARNING!

Risk of injury

- The armrests are not locked and can be easily pulled out upwards.
- Do not lift or transfer the wheelchair using the armrests.
 - Do not use the armrests for transportation when carrying the wheelchair up- or downstairs.

Removing

1. Raise the armrest and pull it upwards out of the holder.

Installing

1. Push the armrest into the holder.

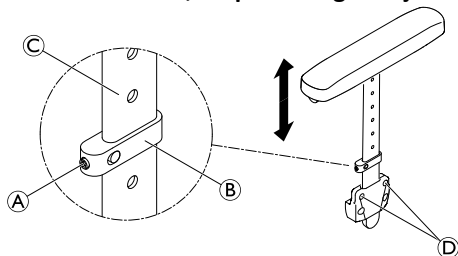
Adjusting the height

1. Pull the armrest out of the holder.
2. Loosen the screw on the tube of the armrest and screw it back in at the desired height.
3. Push the armrest back into the holder.
4. Perform the setting on both sides.

Swivelling

1. Slightly raise the armrest and swivel it outwards.

3.6.2 Side rest, stepless height-adjustable, non-locking



WARNING!
Risk of injury

The side rests are not locked and can be easily pulled out upwards.

- Do not lift or transfer the wheelchair using the side rests.
- Do not use the side rests for transportation when carrying the wheelchair up- or downstairs.

Removing

1. Pull the side rest by the arm cushion out of the holder.
2. To adjust how easy or difficult it is to pull the side rest out of the holder, change the degree to which the screws ④ are tightened.

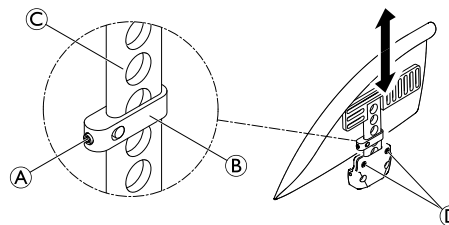
Installing

1. Push the side rest into the holder.

Adjusting the height

1. Slightly loosen the grub screw ① on the clamping part ②.
2. Move the clamping part upwards or downwards on the profile ③ to the desired height.
3. Re-tighten the grub screw.
4. Perform the setting on both sides.

3.6.3 Mudguard



WARNING!
Risk of injury

The mudguards are not locked and can be easily pulled out upwards.

- Do not lift or transfer the wheelchair using the mudguards.
- Do not use the mudguards for transportation when carrying the wheelchair up- or downstairs.

Removing

1. Pull the mudguard upwards out of the holder.
2. To adjust how easy or difficult it is to pull the mudguard out of the holder, change the degree to which the screws ④ are tightened.

Installing

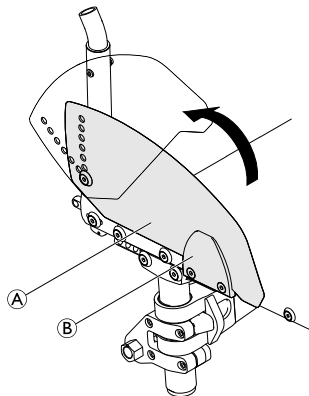
1. Push the mudguard into the holder.

Adjusting the height

1. Slightly loosen the grub screw **A** on the clamping part **B**.
2. Move the clamping part upwards or downwards on the profile **C** to the desired height.
3. Re-tighten the grub screw.
4. Perform the setting on both sides.

3.6.4 Clothes-guard

A clothes-guard can be installed to protect your clothes.

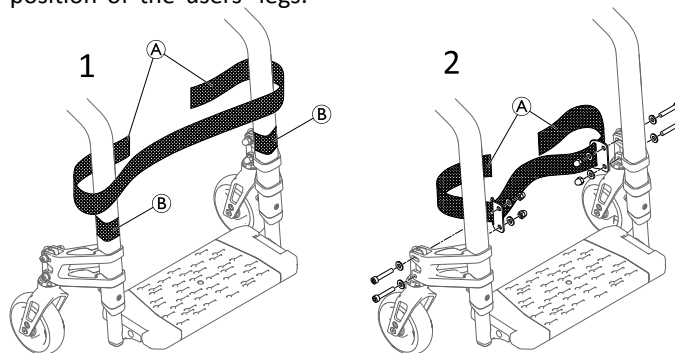


Folding in

1. Raise the clothes-guard **A** at the front out of the holder **B** and swivel it upwards.

3.7 Calf strap

A calf strap is installed to the wheelchair to provide a better position of the users' legs.



Installing/adjusting the calf strap

1. Install and adjust the calf strap **A** around the hook and loop fasteners **B** on both frame parts (1).



The calf strap can also be installed to the castor supporters by a qualified technician (2).

3.8 Seat cushion

A suitable cushion is needed to provide an even pressure distribution on the seat.



CAUTION!

Risk of instability

Adding a cushion to the seat will raise your height above the ground and can affect your stability in all directions. If a cushion is changed it may also change the user's stability.

- If the thickness of the cushion is changed, a complete set up of the wheelchair need to be done by a qualified technician.



Use a seat cushion with anti-slip underlay or hook fastening tapes to avoid slipping of the seat cushion. A loop fastening tape is pre-attached to the seat cover.

4 Options

4.1 Antitipper

An antitipper prevents the wheelchair from tipping backwards.



WARNING!

Risk of overturning

Antitippers that are incorrectly set or no longer working can lead to overturning.

- Always check that the antitipper is working before using the wheelchair and have it set or readjusted by a qualified technician when required.

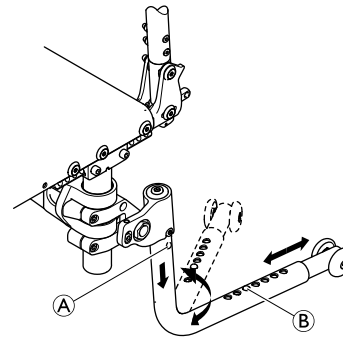


WARNING!

Risk of overturning

On uneven or soft ground, the antitipper can sink into potholes or directly into the ground, thereby curtailing or eliminating its safety function.

- Only use the antitipper when travelling on even and firm ground.



Activating the antitipper

1. Push the antitipper completely down (spring loaded) and swivel it through 180° until it engages in the rear position.



WARNING!

Risk of tipping

An activated antitipper can catch when negotiating a step or an edge.

- Always deactivate the antitipper before driving over a step or kerb.

Deactivating the antitipper

1. Push the antitipper completely down (spring loaded) and swivel it through 180° until it engages in the front position.

Setting the length

1. Press the spring pin (B) on the antitipper and push the inner section to the position required. Allow the spring pin to engage in the nearest hole.

Removing the antitipper

1. Press release button (A) and pull the antitipper tube down and out.

4.2 Posture belt

The wheelchair can be equipped with a posture belt. It prevents the user from sliding downward in the wheelchair or from falling out of the wheelchair. The posture belt is not a positioning device.

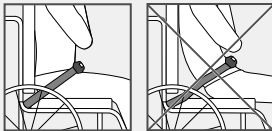


WARNING!

Risk of serious injury / strangulation

A loose belt can allow the user to slip down and create a risk of strangulation.

- The posture belt should be mounted by a qualified technician and fitted by the responsible prescriber.
- Always make sure that the posture belt is tightly fitted across the lower pelvis.
- Each time the posture belt is used, check if it fits properly. Changing the seat and/or backrest angle, the cushion and even your clothes influence the fit of the belt.



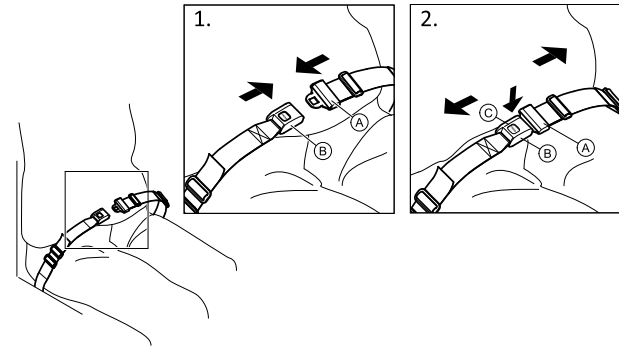
WARNING!

Risk of serious injury during transport

In a vehicle, a user in his wheelchair must be secured by a safety belt (3-point belt). A posture belt only is not sufficient as a personal restraint device.

- Use the posture belt as a complement, but not as a substitute to the 3-point safety belt, when transporting the wheelchair user in a vehicle.


Closing and opening the posture belt

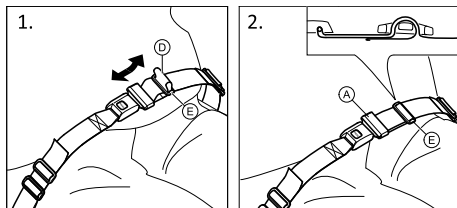


Ensure that you are sitting fully back in the seat and that the pelvis is as upright and symmetrical as possible.

1. To close, push the catch (A) into the buckle clasp (B).
2. To open, push the PRESS button (C) and pull the catch (A) out of the buckle clasp (B).

Adjusting the length

 The posture belt has the good length, when there's just sufficient space for a flat hand between body and belt.



1. Shorten or extend the loop **D** as required.
2. Thread loop **D** through catch **A** and plastic buckle **E** until the loop is flat.

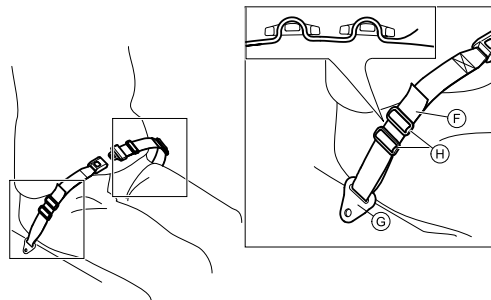
If this adjustment is not sufficient, it might be required to re-fit the posture belt at the fixations.

Fitting the posture belt at the fixations



CAUTION!

- Thread the belt loop through both plastic buckles to avoid the belt from loosening.
- Do the adjustments on both sides equally, so that the buckle clasp remains in a central position.
- Make sure that the belts do not get caught in the spokes of a rear wheel.



1. Thread the loop **F** through the fixation on the chair **G** and then through BOTH plastic buckles **H**.

4.3 Transit wheels

If your wheelchair is too wide for certain applications, e.g. trains/aeroplanes, narrow passageways, narrow doors, the transit wheels can be used.



WARNING!

Risk of severe accidents

- When using transit wheels, the parking brakes no longer have any effect and you cannot control your wheelchair via the handrims.

The transit wheels are attached directly to the antitipper tube as an option.



WARNING!

Risk of tipping sideways

- Make sure that antitippers with transit wheels are installed on both sides of the wheelchair.

Switching to transit wheels

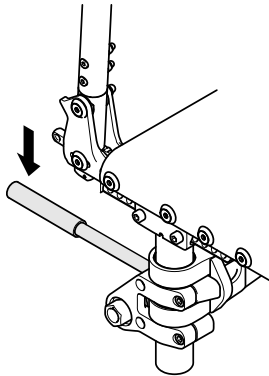
1. Activate the antitippers with transit wheels on both sides, → 4.1 *Antitipper*, page 19.
2. With the help of an assistant, remove the rear wheel, → 7.3 *Removing and installing the rear wheels*, page 34 and lower the wheelchair to the transit wheel.
3. Repeat the process on the other side.

Switching from transit wheels to rear wheels

1. With the help of an assistant, fit the rear wheel back onto the removable axle, → 7.3 *Removing and installing the rear wheels*, page 34 and lower the wheelchair to the rear wheel.
2. Repeat the process on the other side.

4.4 Tipper aid

With the tipper aid, an assistant can tip the wheelchair more easily, in order to navigate steps for example.



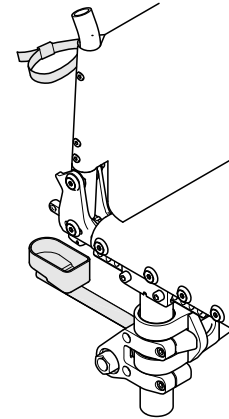
WARNING!

Risk of overturning

- Ensure that the tipper aid does not project beyond the external diameter of the rear wheel.

1. Hold the wheelchair by the push handles.
2. Press the tipper aid with your foot and hold the wheelchair in the tipped position until you have overcome the obstacle.

4.5 Cane holder



WARNING!

Risk of overturning

- Ensure that the cane holder does not project beyond the external diameter of the rear wheel.

1. Place the cane in the holder.
2. Fix the top of the cane to the backrest.

4.6 Air pump

The air pump is fitted with a universal valve connection.

1. Remove the dust cap from the valve connection.
2. Push the valve connection onto the open valve on the wheel and pump the wheel up.

4.7 Passive illumination

You can attach reflectors to the rear wheels.

4.8 Wheelchair carry bag (optional)



Your folded wheelchair can be stored in a carry bag to keep it safe and clean during transport.

5 Setup

5.1 Safety information



CAUTION!

Risk of injury

- Before using the wheelchair, check its general condition and its main functions, 8.2 *Maintenance Schedule, page 38.*

Your provider will supply your wheelchair ready for use. Your provider will explain the main functions and ensure that the wheelchair meets your needs and requirements.

Adjustments of the axle position and the castor supporters must be carried out by a qualified technician.

If you receive your wheelchair folded, read section 7.2 *Folding and unfolding the wheelchair, page 33.*

6 Using the wheelchair

6.1 Safety information



WARNING!

Risk of accidents

Uneven tyre pressure can have a huge effect on handling.

- Check the tyre pressure before each journey.



WARNING!

Risk of falling out of the wheelchair

When using small castors the wheelchair could get stuck at curbs or in floor grooves.

- Make sure that the castors are suitable for the surface you are driving on.



CAUTION!

Risk of crushing

There may be a very small gap between the rear wheel and the mudguard or the parking brake with the risk that you could trap your fingers.

- Ensure that you always propel your wheelchair using the handrims only.

Theft and metal detection systems

In seldom cases the materials used in the wheelchair may activate theft and metal detection systems.

6.2 Braking during use

Whilst you are moving, you brake by transferring force to the handrim with your hands.



WARNING!

Risk of overturning

If you apply the parking brakes while you are moving, the direction of movement can become uncontrollable and the wheelchair may stop suddenly, which can lead to a collision or to you falling out.

- Never apply the parking brakes while you are moving.



WARNING!

Risk of falling out of the wheelchair

If the wheelchair is rapidly decelerated by an assistant pulling at the push handles, the user may fall out of the wheelchair.

- Always apply the posture belt if present.
- Make sure your assistant has been trained individually in transferring occupied wheelchairs.



CAUTION!

Risk of burning your hands

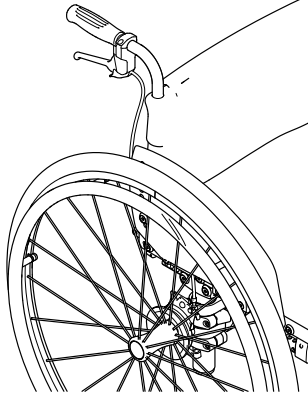
If you brake for a long time, a lot of frictional heat is produced at the handrims (especially Quaddro and Supergripp).

– Wear suitable gloves.

1. Hold the handrims and press evenly with both hands until the wheelchair stops.

Braking with an assistant

With an assistant's brake (drum brake) an assistant can brake the wheelchair while it is moving. The assistant's brake can also be used as a parking brake.



1. To brake, pull the brake lever on the push handle.
2. To park, pull the brake lever firmly until the safety lever engages.
3. To release, pull the brake lever and release the safety lever underneath the brake lever.

6.3 Getting in and out of the wheelchair



WARNING!

Risk of overturning

There is a high risk of overturning during the transfer.

- Only get in and out without assistance if you are physically able to do so.
- When transferring, position yourself as far back as possible in the seat. This will prevent damaged upholstery and the possibility of the wheelchair tipping forward.
- Make sure that both castors are facing straight to the front.



WARNING!

Risk of overturning

The wheelchair could tip forwards if you stand on the footrest.

- Never stand on the footrest when getting in and out.



CAUTION!

If you release or damage the brakes the wheelchair could roll away out of control.

- Do not support yourself on the brakes when getting in and out.

! **IMPORTANT!**

The mudguards and armrests could become damaged.

- Never sit on the mudguards or armrests when getting in and out.



1. Propel the wheelchair as near as possible to the seat that you want to move to.
2. Apply the parking brakes.
3. Remove the armrests or move them upwards out of the way.
4. Place your feet on the ground.
5. Hold the wheelchair and, if necessary, also hold a fixed object in the vicinity.
6. Move slowly to chair.

6.4 Driving and steering the wheelchair

You drive and steer the wheelchair using the handrims. Before driving without an assistant you must find your wheelchair's tipping point.

**WARNING!****Risk of tipping**

The wheelchair can tip backwards if it is not fitted with an antitipper. When finding the tipping point, an assistant must stand immediately behind the wheelchair to catch it if it tips over.

- To prevent tipping, install an antitipper device.

**WARNING!****Risk of tipping**

The wheelchair can tip forwards.

- When setting up your wheelchair, test its behavior in terms of tipping forward and adjust your driving style accordingly.

**CAUTION!**

A heavy load hanging on the backrest can affect the wheelchair's centre of gravity.

- Change your driving style accordingly.

Finding the tipping point



1. Release the brake.
2. Roll backwards a short distance, grasp both handrims firmly and push forwards with a slight kick.
3. The shift in weight and steering in opposite directions with the handrims will enable you to identify the tipping point.

6.5 Negotiating steps and kerbs



WARNING!

Risk of overturning

When negotiating steps you could lose your balance and tip the wheelchair over.

- Always approach steps and kerbs slowly and carefully.
- Do not go up or down steps that are higher than 25 cm.



CAUTION!

An activated antitipper prevents the wheelchair from tipping backwards.

- Deactivate the antitipper before going up or down steps or kerbs.

With an assistant



Going down a step

1. Move the wheelchair right up to the kerb and hold the handrims.
2. The assistant should hold both push handles, place one foot on the tipper aid (if installed) and tilt the wheelchair backwards so that the front wheels lift off the ground.
3. The assistant should then hold the wheelchair in this position, push it carefully down the step and then tilt it forwards until the front wheels are back on the ground.

Going up a step



WARNING!

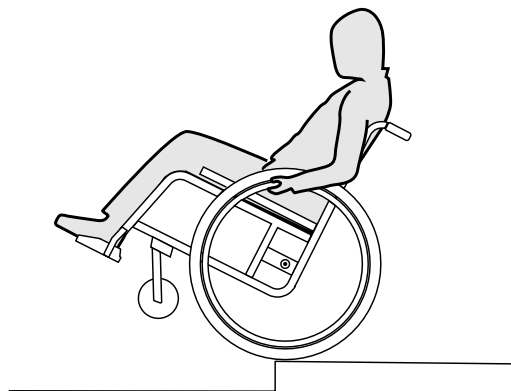
Risk of serious injuries

Going up steps and kerbs frequently can result in earlier than expected fatigue break of the wheelchair backrest. The user might fall out of the wheelchair.

- Always use a tipper aid when going up steps or kerbs.

1. Move the wheelchair backwards until the rear wheels touch the kerb.
2. The assistant should tilt the wheelchair using both push handles so that the front wheels lift off the ground, then pull the rear wheels over the kerb until the front wheels can be placed back on the ground.

Without an assistant



WARNING!

Risk of tipping

When going down a step without an assistant you could tip over backwards if you cannot control your wheelchair.

- First learn how to go down a step with an assistant.
- Learn how to balance on the rear wheels, *6.4 Driving and steering the wheelchair, page 27.*

Going down a step

1. Move the wheelchair right to the kerb, lift the front wheels and keep the wheelchair balanced.
2. Now slowly roll both rear wheels over the kerb. While doing this, hold the handrims firmly with both hands until the front wheels are back on the ground.

6.6 Going up and down stairs



WARNING!

Risk of overturning

When negotiating stairs you could lose your balance and overturn your wheelchair.

- Always use two assistants when negotiating stairs with more than one step.



1. You can go up and down stairs by taking them one step at a time, as described above. The first assistant should stand behind the wheelchair holding the push handles. The second assistant should hold a solid part of the front frame to steady the wheelchair from the front.

6.7 Negotiating ramps and slopes



WARNING!

Risk due to wheelchair being out of control

When negotiating slopes or gradients your wheelchair could tip backwards, forwards or sideways.

- Always have an assistant behind the wheelchair when approaching long slopes.
- Avoid lateral slopes.
- Avoid slopes of more than 7°.
- Avoid jerking when changing direction on a slope.



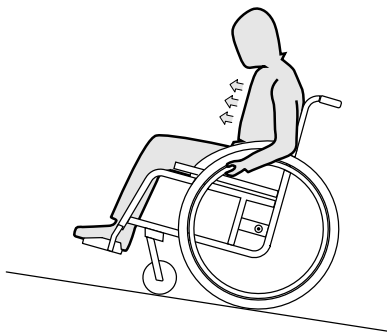
CAUTION!

Your wheelchair could run away even on slightly sloping ground if you do not control it using the handrims.

- Use the parking brakes if your wheelchair is stationary on sloping ground.

Going up slopes

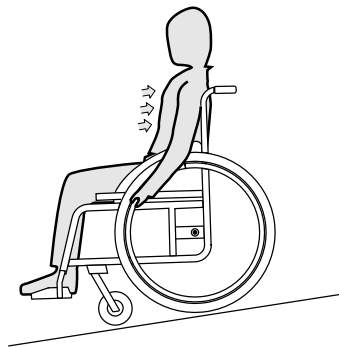
To go up a slope, you must create some momentum, keep up the momentum and control the direction at the same time.



1. Bend your upper body forwards and propel the wheelchair with quick, powerful strokes on both handrims.

Going down slopes

When going down slopes, it is important to control your direction and particularly your speed.



1. Lean back and carefully allow the handrims to run through your hands. You should be able to stop the wheelchair at any time by gripping the handrims.



CAUTION!

Risk of burning your hands.

If you brake for a long time, a lot of frictional heat is produced at the handrims (especially Quaddro and Supergripp).

– Wear suitable gloves.

6.8 Stability and balance when seated

Some everyday activities and actions require you to lean forwards, sideways or backwards out of the wheelchair. This has a major effect on the wheelchair's stability. To keep your balance at all times, proceed as follows:

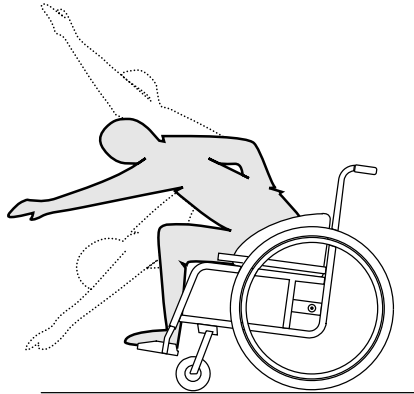
Leaning forwards



WARNING! **Risk of falling out**

If you lean forwards out of the wheelchair you could fall out of it.

- Never bend too far forwards and do not shift forwards in your seat to reach an object.
- Do not bend forwards between your knees to pick up something off the floor.



1. Point the front wheels forwards. (To do this, move your wheelchair forwards slightly then back again.)
2. Apply both parking brakes.
3. When leaning forwards your upper body must remain over the front wheels.

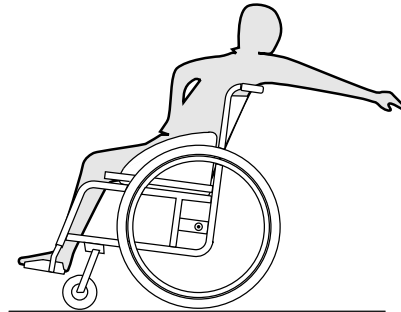
Reaching backwards



WARNING! **Risk of falling out**

If you lean too far backwards you could tip your wheelchair over.

- Do not lean out over the backrest.
- Use an antitipper device.



1. Point the front wheels forwards. (To do this, move your wheelchair forwards slightly then back again.)
2. Do not apply the parking brakes.
3. When reaching backwards do not reach so far that you have to change your sitting position.

7 Transport

7.1 Safety information



WARNING!

Risk of injury if wheelchair is not secured during transport

Your wheelchair is not designed for passenger transport in vehicles. You could suffer serious injury in an accident.

- During transport, sit in a correctly secured seat, not in the wheelchair.



WARNING!

Risk of injury if the wheelchair is not properly secured

In the event of an accident, braking manoeuvre, etc. you may suffer serious injuries from flying wheelchair parts.

- Always remove the rear wheels when transporting the wheelchair.
- Firmly secure all wheelchair components in the means of transport to prevent them from coming loose during the journey.



IMPORTANT!

Excessive wear and abrasion could affect the strength of load-bearing parts.

- Do not pull your wheelchair across abrasive surfaces without the wheels fitted (e.g. pulling the frame over tarmac).

7.2 Folding and unfolding the wheelchair



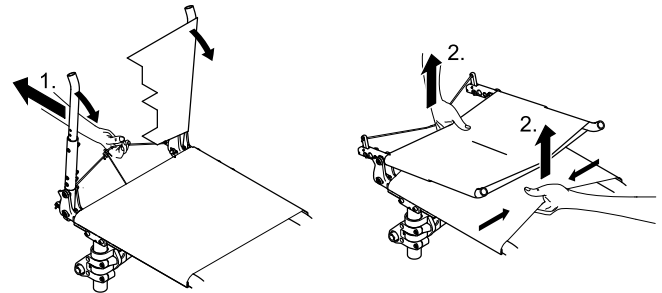
CAUTION!

Risk of getting fingers caught

Your fingers can be caught between the parts of the folding mechanism or between the scissor lever and the end stop.

- Never clasp the folding mechanism with your hands, when folding or unfolding the wheelchair.
- Only use the pull-cords to fold or unfold the wheelchair.

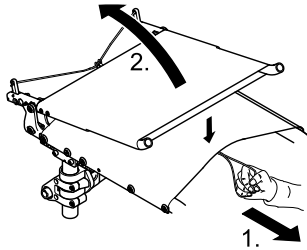
Folding the wheelchair



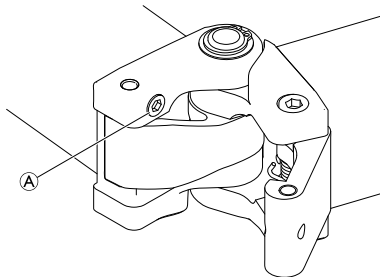
1. Remove the seat cushion, if present.
2. If fitted, release the backrest stabilization bar by pressing the spring pin and swinging the bar downwards, → *3.5.1 Stabilizing bar for the backrest, page 13.*

3. Pull the cord at the rear of the wheelchair back (1). The scissor levers of the folding mechanism under the seat fold backward and the backrest folds forward.
4. With both hands, pull the seat cover and the backrest cover upwards (2). The wheelchair folds up completely.

Unfolding the wheelchair



1. Pull the cord on the front under the seat cover until the ratchet engages completely.
2. Pull up the backrest at the push-handles until the ratchet bolts engage in the lateral supports.
3. If available, re-attach the backrest stabilization bar, see 3.5.1 *Stabilizing bar for the backrest*, page 13.



IMPORTANT!

The screw (A) in the folding mechanism has the aim to reduce play. The screw is secured and cannot become loose.

- Do not adjust the screw in the folding mechanism as it can make folding and unfolding of the wheelchair more difficult.

7.3 Removing and installing the rear wheels

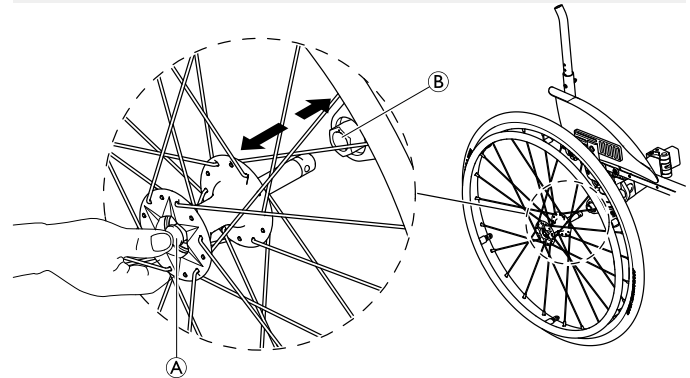


WARNING!

Risk of overturning

If the removable axle of a rear wheel is not fully engaged, the wheel can become loose during use. This can lead to overturning.

- Always ensure that the removable axles are fully engaged whenever you fit a wheel.

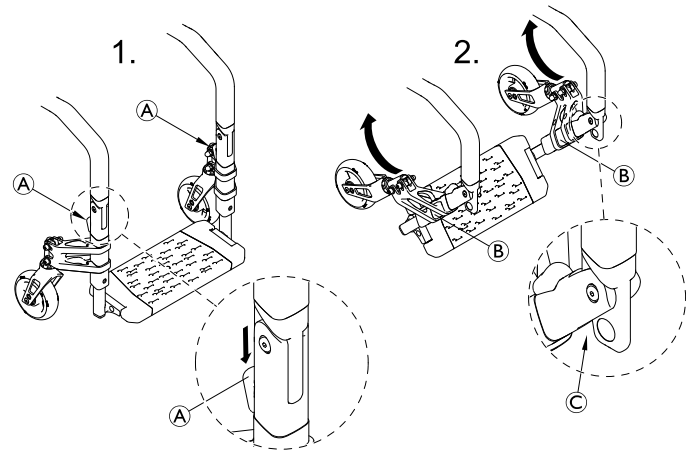


Removing the rear wheels

1. Disengage the wheel locks.
2. With one hand, hold the wheelchair upright.
3. With the other, hold the wheel through the external spoke rim around the wheel hub.
4. Using your thumb, press the removable axle button (A). Keep it pressed and pull the wheel out of the adapter sleeve (B).

Installing the rear wheels

1. Disengage the wheel locks.
2. With one hand, hold the wheelchair upright.
3. With the other, hold the wheel through the external spoke rim around the wheel hub.
4. Using your thumb, press the removable axle button (A) and hold it down.
5. Push the axle into the adapter sleeve (B) up to the stop.
6. Release the removable axle button and make sure that the wheel is secure.



7.4 Folding/unfolding the front frame (SK option: folding front frame)

Folding the frame



The frame can be folded before, during or after the wheelchair is folded like described above.

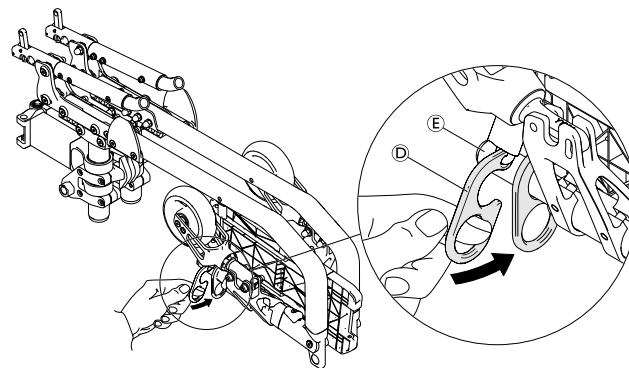
1. Hold the lower frame assembly ⑥ on both sides at the position of the front wheel supporters and simultaneously press down the release buttons ④ on both sides using your thumb.
2. Fold the lower frame assembly upwards towards the seat.



IMPORTANT!

In some wheelchair configurations, the parking brakes may come into conflict with the lower frame part when folding it completely upwards. This may result in damage or misadjustment of the parking brake assembly or in damages to the supporter or caster fork.

- Always fold up the frame in a careful manner and make sure that there is no conflict with other parts.



3. Secure the lower frame assembly with the SK-hook ④ mounted under the seat frame by hang it on the telescopic tube ⑤ of the foot plate.

Unfolding the frame



CAUTION!

Risk of pinching your hands or fingers

- When unfolding the frame make sure not to grab between the folding mechanism ③.

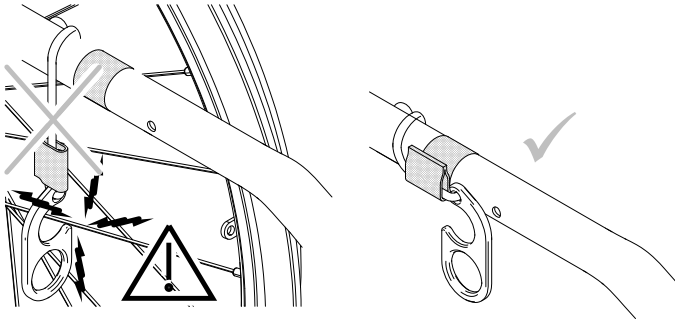
1. Completely fold down the lower frame assembly on both sides.



WARNING!

Risk of injury

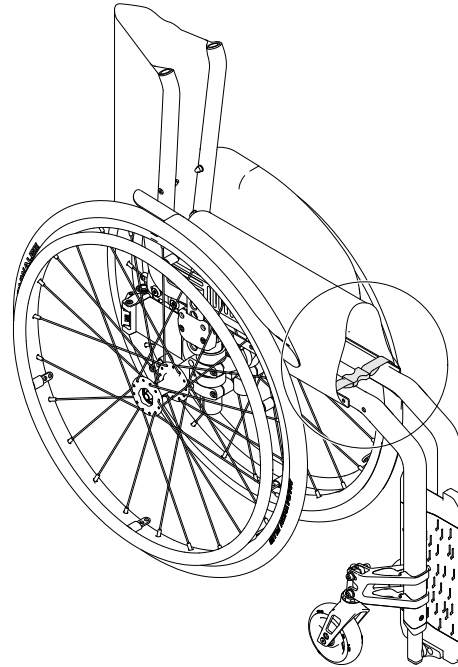
- Make sure that both lower frame parts have completely engaged with an audible “click” before using the wheelchair.

**WARNING!****Risk of accidents**

The SK-hook can be caught by the spokes if it is not properly secured.

- When driving the wheelchair, always secure the SK-hook with the hook and loop straps under the seat frame.

7.5 Securing strap



The securing strap is used to secure the wheelchair when folded. This prevents the wheelchair from unfolding accidentally (e.g. during transport).

1. Fold the wheelchair (7.2 *Folding and unfolding the wheelchair, page 33*) and clip both ends of the securing strap together.

8 Maintenance

8.1 Safety information



WARNING!

Some materials deteriorate naturally over time. This could result in damage to wheelchair components.

- Your wheelchair should be checked by a qualified technician at least once a year or if it has not been used for a long period.

8.2 Maintenance Schedule

To ensure safe and reliable operation, carry out the following checks and maintenance regularly or have it carried out by another person.

	weekly	monthly	annually
Check the tyre pressure	x		
Check that rear wheels are seated correctly	x		
Check the posture belt	x		
Visual check		x	
Check the castors		x	
Check the bolts		x	

	weekly	monthly	annually
Check the spokes		x	
Check the parking brakes		x	
Check the folding mechanism		x	
Have wheelchair checked by your provider			x

Checking the tyre pressure

1. Check the tyre pressure.



See section “Tyres” for more information.

2. Inflate the tyres to the required pressure.
3. Check the tyre tread at the same time.
4. If necessary, change the tyres.

Checking that rear wheels are seated correctly

1. Pull on the rear wheel to check that the removable axle is seated correctly. The wheel should not come off.
2. If the rear wheels are not engaged properly, remove any dirt or deposits. If the problem persists, have the removable axles reinstalled by your provider.

Checking the posture belt

1. Check that the posture belt is adjusted correctly.

! **IMPORTANT!**

- Loose posture belts must be adjusted by your provider.
- Damaged posture belts must be replaced by your provider.
- Posture belts must always be installed by your provider.

Checking visually

1. Examine your wheelchair for loose parts, cracks or other defects.
2. If you find anything, have your wheelchair checked immediately by your provider.

Checking the castors

1. Check that the castors turn freely.
2. Remove any dirt or hair from the castor bearings.
3. Faulty or worn out castors must be replaced by your provider.

Checking the bolts

Bolts can work loose through constant use.

1. Check that the bolts are tight (on the footrest, seat cover, sides, backrest, frame, seat module).
2. Tighten any loose bolts with the suitable torque. Therefore refer to the service manual, available on the internet at www.kuschall.com.

! **IMPORTANT!**

- Self-locking screws/nuts or thread-locking adhesive are used for several connections. If these are loosened, they must be replaced by new self-locking screws/nuts or they must be secured using new thread-locking adhesive.
 - Self-locking screws/nuts must be replaced by your provider.

Checking the spoke tension

The spokes should not be loose or distorted.

1. Loose or broken spokes must be tightened by your provider.

Checking the parking brakes

1. Check that the parking brakes are positioned correctly. The parking brake is set correctly if the parking brake shoe depresses the tyre by a few millimeters when the parking brake is engaged.
2. If you find that the setting is not correct, have the parking brakes correctly adjusted by your provider.

! **IMPORTANT!**

- The parking brakes must be readjusted after replacing the rear wheels or changing their position.

Checking the folding mechanism

1. Check that the folding mechanism can be easily locked respectively unlocked.
2. If the folding mechanism does not lock/unlock correctly or is difficult to move, have it adjusted by your provider.

Checking after a heavy collision or blow



IMPORTANT!

The wheelchair can sustain visibly undetectable damage as a result of a heavy collision or hard blow.

- It is essential to have your wheelchair checked by your provider after a heavy collision or hard blow.

Repairing or changing an inner tube

1. Remove the rear wheel and release any air from the inner tube.
2. Lift one tyre wall away from the rim using a bicycle tyre lever. Do not use sharp objects such as a screwdriver which could damage the inner tube.
3. Pull the inner tube out of the tyre.
4. Repair the inner tube using a bicycle repair kit or, if necessary, replace the tube.
5. Inflate the tube slightly until it becomes round.
6. Insert the valve into the valve hole on the rim and place the tube inside the tyre (the tube should lie right round the tyre with no creases).
7. Lift the tyre wall over the edge of the rim. Start close to the valve and use a bicycle tyre lever. When doing this, check all the way round to ensure that the inner tube is not trapped between the tyre and the rim.
8. Inflate the tyre to the maximum operating pressure, see *11.2 Tyres, page 47*. Check that no air is escaping from the tyre.

Spare parts



All spare parts can be obtained from your wheelchair provider.

8.3 Cleaning and Disinfection

8.3.1 General safety information



CAUTION!

Risk of contamination

- Take precautions for yourself and use appropriate protective equipment.



IMPORTANT!

Wrong fluids or methods can harm or damage the product.

- All cleaning agents and disinfectants used must be effective, compatible with one another and must protect the materials they are used to clean.
- Never use corrosive fluids (alkalines, acid etc.) or abrasive cleaning agents. We recommend an ordinary household cleaning agent such as dishwashing liquid, if not specified otherwise in the cleaning instructions.
- Never use a solvent (cellulose thinner, acetone etc.) that changes the structure of the plastic or dissolves the attached labels.
- Always make sure that the product is completely dried before taking it into use again.



For cleaning and disinfection in clinical or long-term care environments, follow your in-house procedures.

8.3.2 Cleaning Intervals



IMPORTANT!

Regular cleaning and disinfection enhances smooth operation, increases the service life and prevents contamination.

Clean and disinfect the product

- regularly while it is in use,
- before and after any service procedure,
- when it has been in contact with any body fluids,
- before using it for a new user.

8.3.3 Cleaning



IMPORTANT!

- The product does not tolerate cleaning in automatic washing plants, with high-pressure cleaning equipment or steam.



IMPORTANT!

Dirt, sand and seawater can damage the bearings and steel parts can rust if the surface is damaged.

- Only expose the wheelchair to sand and seawater for short periods and clean it after every trip to the beach.
- If the wheelchair is dirty, wipe off the dirt as soon as possible with a damp cloth and dry it carefully.

1. Remove any accessories fitted (only accessories which do not require tools).
2. Wipe down the individual parts using a cloth or soft brush, ordinary household cleaning agents (pH = 6 - 8) and warm water.
3. Rinse the parts with warm water.
4. Thoroughly dry the parts with a dry cloth.



Car polish and soft wax can be used on painted metal surfaces to remove abrasions and restore gloss.

Cleaning upholstery

For cleaning upholstery refer to the instructions on the labels of the seat, cushion and backrest cover.

8.3.4 Disinfection



Information on recommended disinfectants and methods can be found on <https://vah-online.de/en/for-users>.

1. Wipe down all generally accessible surfaces with a soft cloth and ordinary household disinfectant.
2. Allow the product to air-dry.

9 After Use

9.1 Storage



IMPORTANT!

Risk of damage to the product

- Do not store the product near heat sources.
- Never store other items on top of the wheelchair.
- Store the wheelchair indoors in a dry environment.
- Refer to temperature limitation in chapter *11.4 Environmental conditions, page 48*.

After long-term storage (more than four months) the wheelchair must be inspected in accordance to chapter *8 Maintenance, page 38*.

9.2 Reconditioning

This product is suitable for reuse. To recondition the product for a new user, carry out the following actions:

- Inspection
- Cleaning and disinfection
- Adaptation to the new user

For detailed information, see *8 Maintenance, page 38* and the service manual for this product.

Make sure that the user manual is handed over with the product.

If any damage or malfunction is detected, do not reuse the product.

9.3 Disposal

Be environmentally responsible and recycle this product through your recycling facility at its end of life.

Disassemble the product and its components, so the different materials can be separated and recycled individually.

The disposal and recycling of used products and packaging must comply with the laws and regulations for waste handling in each country. Contact your local waste management company for information.

10 Troubleshooting

10.1 Safety information

Faults may arise as a result of daily use, adjustments or changing demands on the wheelchair. The table below shows how to identify and repair faults.

Some of the actions listed must be carried out by a qualified technician. These are indicated. We recommend that *all* adjustments are carried out by a qualified technician.

**CAUTION!**

– If you notice a fault with your wheelchair, e.g. a significant change in handling, stop using your wheelchair immediately and contact your provider.

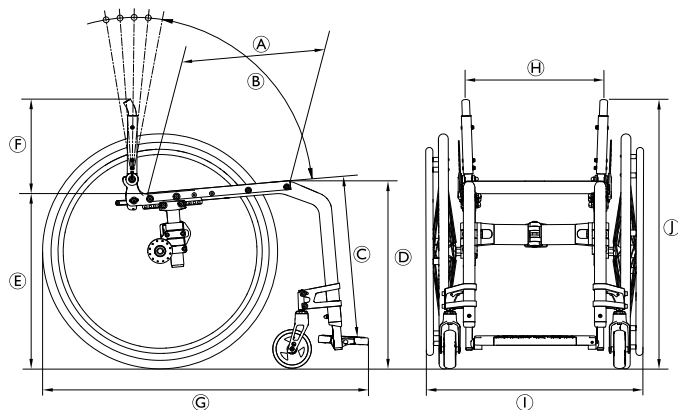
10.2 Identifying and repairing faults

Fault	Possible cause	Action
The wheelchair does not travel in a straight line	Incorrect tire pressure on one rear wheel	Correct tyre pressure, → <i>11.2 Tyres, page 47</i>
	One or more spokes broken	Replace faulty spoke(s), → qualified technician
	Spokes tightened unevenly	Tighten loose spokes, → qualified technician
	Front wheel supporter is not aligned correctly	Correct position and alignment of front wheel supporter, → qualified technician
	Front wheel bearings are dirty or damaged	Clean or replace the bearings, → qualified technician
	Rear wheels are off track	Change track, → qualified technician
	Front wheels not adjusted to same height	Position the front wheels such that they touch the floor at the same time, → qualified technician
The wheelchair tips backwards too easily	Rear wheels are mounted too far forwards	Mount the rear wheels further back, → qualified technician
	Back angle too large	Reduce the backrest angle, → qualified technician
	Seat angle too large	Select a smaller front wheel fork, → qualified technician
Removable axles cannot be inserted correctly	Removable axles dirty	Clean removable axles
	Removable axles misaligned	Adjust removable axles, → qualified technician
The parking brakes are gripping poorly or asymmetrically	Incorrect tire pressure in one or both rear tires	Correct tire pressure, → <i>11.2 Tyres, page 47</i>
	Parking brake setting incorrect	Correct the parking brake setting, → qualified technician

Fault	Possible cause	Action
Rolling resistance is very high	Tire pressure in rear tires is too low Tire is punctured	Correct tire pressure or replace the tube inside the tire, → <i>11.2 Tyres, page 47</i>
	Rear wheels not parallel	Ensure the rear wheels are parallel, → qualified technician
The front wheels wobble when moving fast	Too little tension in front wheel bearing block	Tighten the nut on the bearing block axle slightly, → qualified technician
	Front wheel has worn smooth	Change front wheel, → qualified technician
The front wheel is stiff or stuck	Bearings are dirty or faulty	Clean or replace the bearings, → qualified technician
The wheelchair is very difficult to unfold	Backrest cover is too tight	Loosen the hook and loop straps of the backrest cover a little, → <i>3.5 Backrest, page 13</i>
	Folding mechanism adjusted too hard	Adjust folding mechanism, → qualified technician

11 Technical Data

11.1 Dimensions and weight



Ⓐ	Seat depth	340 – 480 mm, in increments of 20 mm
Ⓑ	Backrest angle	76° / 80,5° / 85° / 89,5° / 94°
Ⓒ	Lower leg length	320 – 500 mm, in increments of 10 mm
Ⓓ	Front seat-to-floor height	450 – 540 mm, stepless adjustable
Ⓔ	Rear seat-to-floor height	390 – 490 mm, stepless adjustable
Ⓕ	Backrest height	300 – 465 mm, in increments of 15 mm
Ⓖ	Overall length with legrest	75° frame angle: approx. 825 – 1190 mm 90° frame angle: approx. 775 – 1140 mm
Ⓗ	Seat width	360 – 480 mm, in increments of 20 mm
Ⓘ	Overall width	Seat width plus 160 – 240 mm
	Overall width, folded	approx. 280 – 340 mm
	Folded length	760 – 920 mm
Ⓙ	Overall height	approx. 690 – 955 mm
	Folded height	approx. 690 – 955 mm
	Total weight	approx. 9,2 kg

Weight of the heaviest part	6,7 kg
Static stability downhill	20°
Static stability uphill	7°
Static stability sideways	20°
Seat plane angle	2° – 22°
Leg to seat surface angle	90° / 115°
Armrest to seat distance	120 – 280 mm
Front location of armrest structure	220 – 330 mm
Handrim diameter	approx. 450 – 590 mm
Horizontal location of axle	approx. 0 to 95 mm
Maximum user weight	120 kg

* When used in combination with another device, make sure this combination is allowed by Invacare. If so, check all restrictions provided into both user manuals, especially the maximum user weight.

11.2 Tyres

The ideal tyre pressure depends on the tyre type.

The table below is an indication. In case the tyre differs from the list below, check the side of the tyre, the maximum pressure is often listed there.

Tyre	Max. pressure		
	7 bar	700 kPa	101 psi
Profile tyre	7 bar	700 kPa	101 psi
Schwalbe Marathon Plus	10 bar	1000 kPa	145 psi
Schwalbe One	10 bar	1000 kPa	145 psi
Schwalbe Rightrun	10 bar	1000 kPa	145 psi



The compatibility of the tyres listed above depends on the configuration and/or model of your wheelchair.



In case of a tyre puncture consult a suitable workshop (e.g. bike repair shop, bicycle dealer ...) to have the tube replaced by a skilled person.



The size of the tyre is mentioned on the sidewall of the tyre. The change of appropriate tyres must be carried out by a qualified technician.

**CAUTION!**

– The tyres pressure needs to be equal in both wheels to avoid decreased driving comfort, to keep the parking brakes working properly and to ease propelling of the wheelchair.

11.3 Materials

The components used to manufacture Küschall® wheelchairs consist of following materials:

Frame tubes	Aluminum
Backrest tubes	Aluminum
Folding mechanism	Aluminum
Seat cover / Backrest cover	PA / PE / PVC
Push handles	Steel / Aluminum / TPE
Clothes guard / Mudguard	Carbon Fiber or Plastic
Castor forks	Aluminum
Legrest	Aluminum
Footrest	Carbon Fiber or Plastic
Supporting parts / Attachments	Steel / Aluminum
Screws and bolts	Steel

All components have either a protective coating or are corrosion resistant.

11.4 Environmental conditions

	Storage and transportation	Operation
Temperature	-20 °C to 40 °C	
Relative humidity	20 % to 90 % at 30 °C, not condensing	
Atmospheric pressure	800 hPa to 1060 hPa	

Invacare distributors

Asia:

Invacare Asia Ltd.
1 Lenton Place, North Rocks NSW 2151
Australia
Phone: (61) (02) 8839 5333
Fax: (61) (02) 8839 5343
asiasales@invacare.com
www.invacare.com

Ireland:

Invacare Ireland Ltd,
Unit 5 Seatown Business Campus
Seatown Road, Swords, County Dublin
Tel : (353) 1 810 7084
Fax: (353) 1 810 7085
ireland@invacare.com
www.invacare.ie

United Kingdom:

Invacare Limited
Pencoed Technology Park, Pencoed
Bridgend CF35 5AQ
Tel: (44) (0) 1656 776 222
Fax: (44) (0) 1656 776 220
uk@invacare.com
www.invacare.co.uk

Australia:

Invacare Australia Pty. Ltd.
1 Lenton Place, North Rocks NSW 2151
Australia
Phone: 1800 460 460
Fax: 1800 814 367
orders@invacare.com.au
www.invacare.com.au

New Zealand:

Invacare New Zealand Ltd
4 Westfield Place, Mt Wellington 1060
New Zealand
Phone: 0800 468 222
Fax: 0800 807 788
sales@invacare.co.nz
www.invacare.co.nz



Invacare France Operations SAS
Route de St Roch
F-37230 Fondettes
France

1659306-B 2019-06-26



Making Life's Experiences Possible®

Küschall®
UNLIMIT YOUR WORLD