

# *Spare Parts Catalogue*

---

Version: 2018/05/21a EN



**Invacare® Etude Plus™**



**Yes, you can.®**

## **General Information**

*For any order of spare parts the following information is required:*

- Product type*
- Product name & model*
- Serial Number*
- Part-Number*
- Part-Description*

*Exploded view drawings and code numbers are not contractual and subject to modification, in relation to Invacare® continuous product improvement policy to meet end users needs.*

*The reproduction or use of this work, or of any substantial part of this work, in any form or by any electronic, mechanical or other means, including photocopying, scanning and recording, and in any information storage and retrieval system, including electronic transmission, is forbidden without the prior written permission of Invacare® International Sarl.*



Yes, you can.®

## TABLE OF CONTENTS

---

### Mattress support

Mattress support, head end .....	5
Mattress support, head end, with auto regression .....	6
Mattress support, leg end .....	7
Mattress support, leg end, electric .....	8
Extension, mattress support .....	9

### Bed end for lifting

Bed end .....	10
Bed end, Etude Plus Low .....	11

### Electrical parts

Motor, backrest .....	12
Motor, backrest with auto regression .....	13
Motor, leg end .....	14
Motor, bed end .....	15
Control unit 230V, CB06 .....	16
Control unit 24V, CB06 .....	17
Hand control .....	18
Battery, back-up .....	19

### Side rails

Line siderail .....	20
Britt V siderail .....	21
Scala siderails .....	22

### Lifting pole

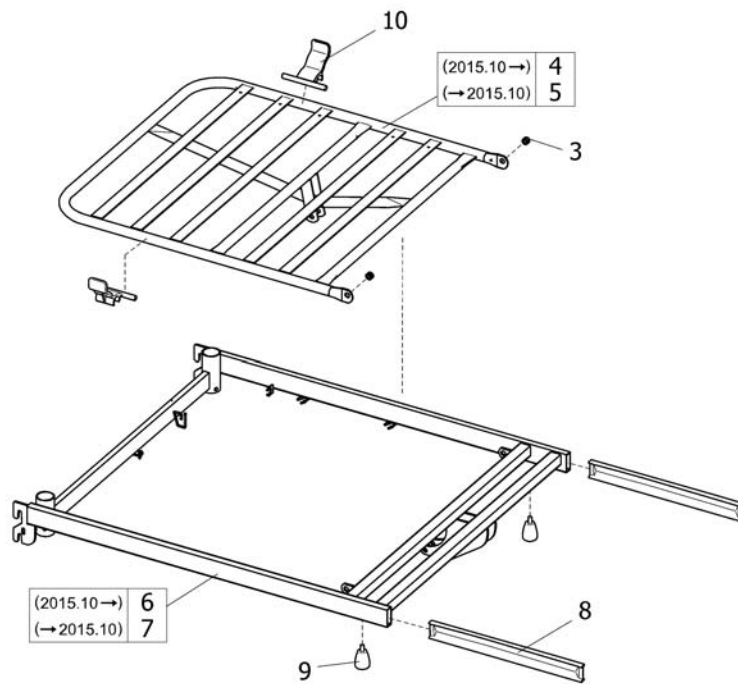
Lifting Pole .....	23
--------------------	----

### Accessories

Transport adaptor .....	24
Support handle, swivel .....	25
Support handle, stand-up .....	26
Support handle .....	27
Sit-up handle .....	28



(2015.10→)	1
(→2015.10)	2

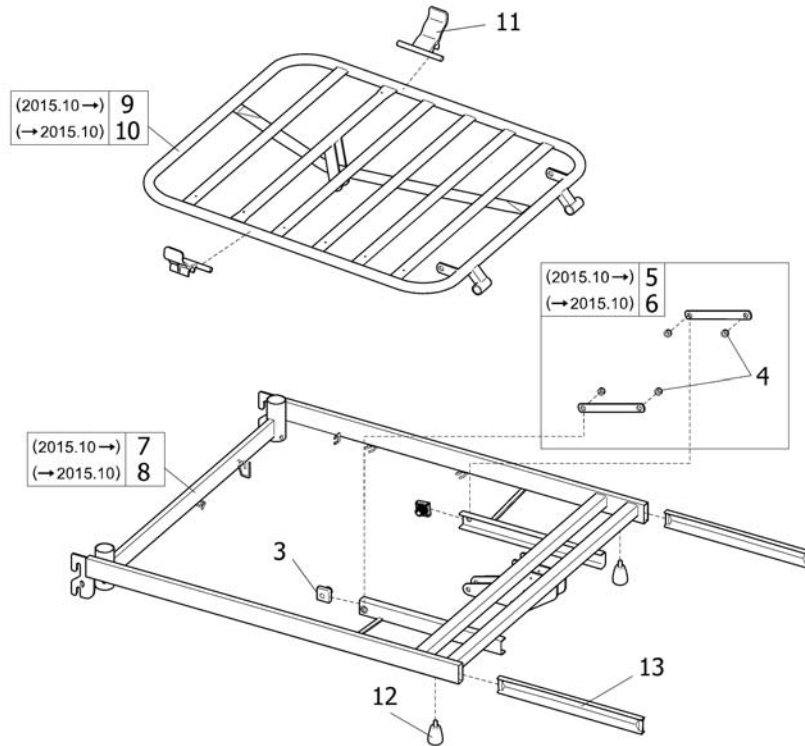


SP5142792

Pos.	Part number	Description	Valid from → until	Qty
1	SP1601396	Mattress support cpl., head end (RAL7035)	2015-09-14 →	1
2	SP1601621	Mattress support cpl., head end (RAL0154)	→ 2015-09-11	1
3	SP1435195	Replacement kit (screw and nut)		1
4	SP1601376	Backrest (RAL7035)	2015-09-14 →	1
5	SP1421391	Backrest (RAL0154)	→ 2015-09-11	1
6	SP1601377	Top frame, head end (RAL7035)	2015-09-14 →	1
7	SP1427793	Top frame, head end (RAL0154)	→ 2015-09-11	1
8	SP1584419	Insert tubes, Qty.2		1
9	SP1435325-7035	Finger screw M8x13 mm RAL7035		1
10	SP1574230	Kit, Handle, Mattress Qty.2		1

## Mattress support, head end, with auto regression

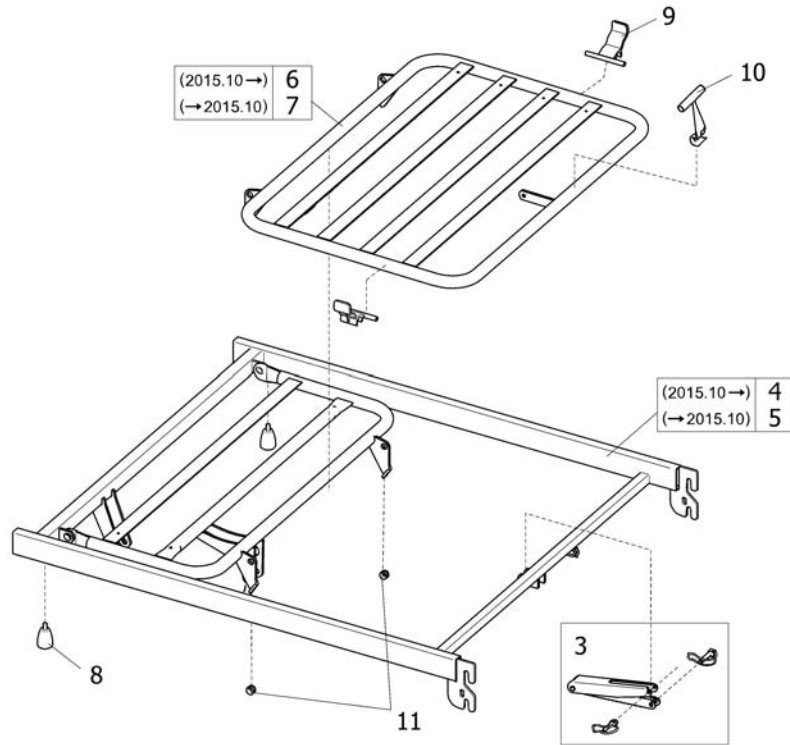
(2015.10 →) 1  
(→ 2015.10) 2



SP1530669

Pos.	Part number	Description	Valid from → until	Qty
1	SP1537777	Mattress support cpl., head end, with auto regression RAL7035	2015-09-14 →	1
2	SP1530669	Mattress support cpl., head end, with auto regression RAL0154	→ 2015-09-11	1
3	SP319155-7035	Grey slide shoe		1
4	SP1435195	Replacement kit (screw and nut)		1
5	SP1587778	Kit, tension rod RAL7035	2015-09-14 →	1
6	SP420939	Kit, tension rod RAL0154	→ 2015-09-11	1
7	SP1587784	Top frame, head with backrest reclining RAL7035	2015-09-14 →	1
8	SP1584406	Top frame, head with backrest reclining RAL0154	→ 2015-09-11	1
9	SP1587785	Reclining Backrest RAL7035	2015-09-14 →	1
10	SP1530713	Reclining Backrest RAL0154	→ 2015-09-11	1
11	SP1574230	Kit, Handle, Mattress Qty.2		1
12	SP1435325-7035	Finger screw M8x13 mm RAL7035		1
13	SP1584419	Insert tubes, Qty.2		1

(2015.10→) 1  
 (→2015.10) 2



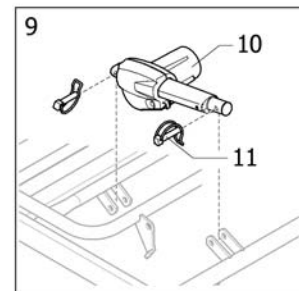
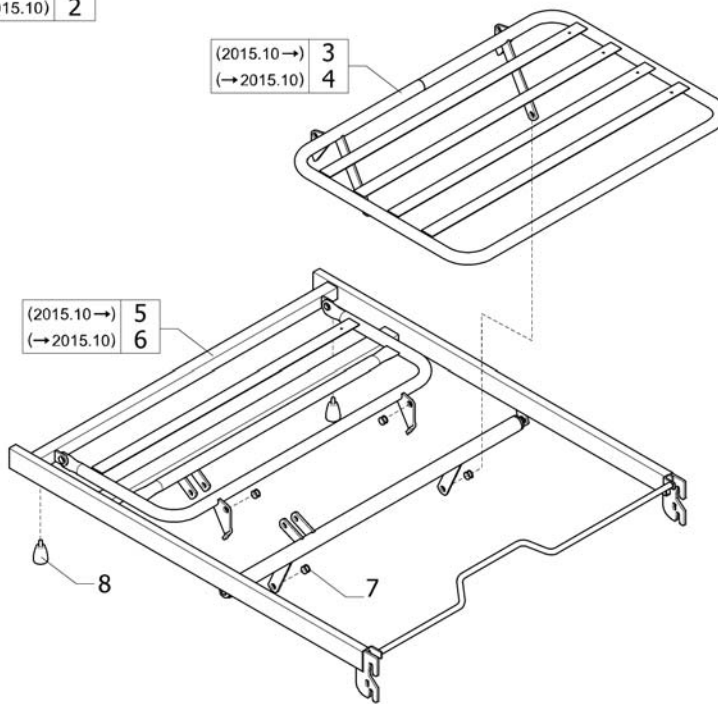
Pos.	Part number	Description	Valid from → until	Qty
1	SP1587786	Mattress support cpl, leg end, RAL7035	2015-09-14 →	1
2	SP1584447	Mattress support cpl, leg end, RAL0154	→ 2015-09-11	1
3	SP1417418	Ratchet and pins kit 4 sections		1
4	SP1587787	Topframe, leg section (RAL7035)	2015-09-14 →	1
5	SP1423882	Topframe, leg section (RAL0154)	→ 2015-09-11	1
6	SP1587788	Leg section (RAL7035)	2015-09-14 →	1
7	SP319114	Leg section (RAL0154)	→ 2015-09-11	1
8	SP1584437	Finger screws M8x13 RAL7035 (Qty.2)		1
9	SP1574230	Kit, Handle, Mattress Qty.2		1
10	SP217996-7035	Handle for leg section RAL7035		1
11	SP1435195	Replacement kit (screw and nut)		1

## Mattress support, leg end, electric

(2015.10 →) 1  
(→ 2015.10) 2

(2015.10 →) 3  
(→ 2015.10) 4

(2015.10 →) 5  
(→ 2015.10) 6

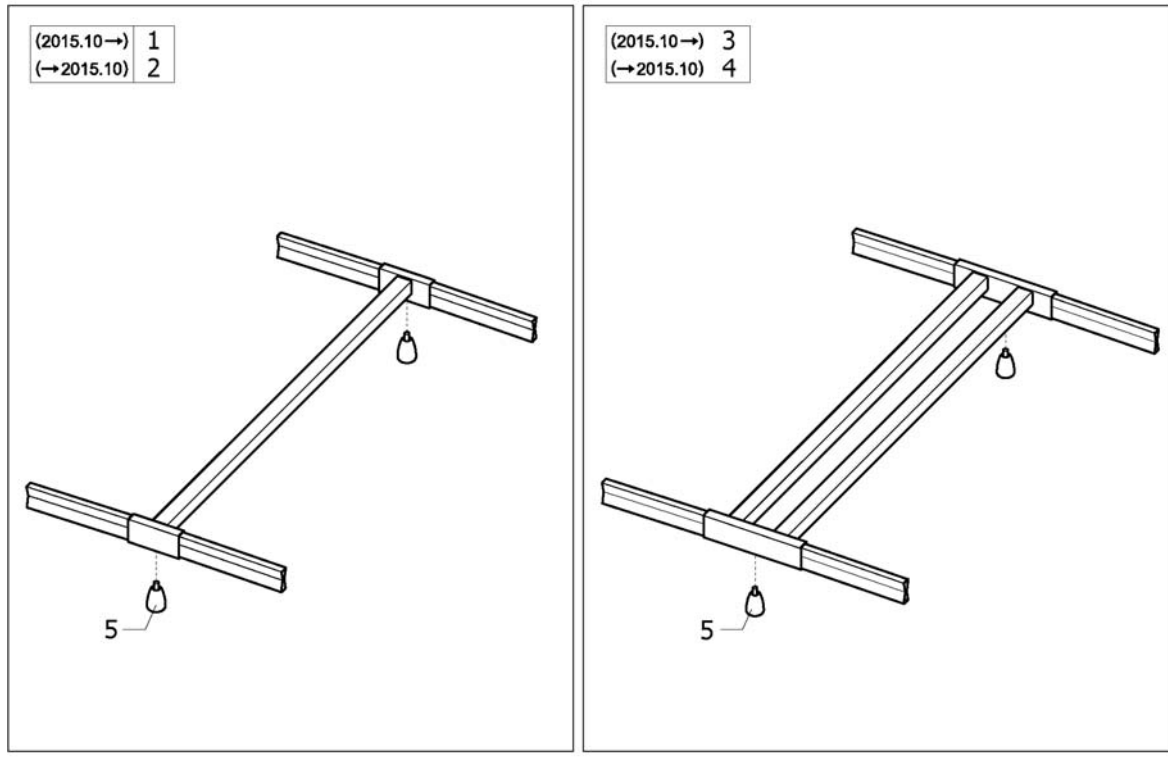


SPS1605509

Pos.	Part number	Description	Valid from → until	Qty
1	SP1605510-7035	MATTRESS SUPPORT, CPL. LEG SECTION, LIGHT GREY	2015-09-14 →	1
2	SP1605510-0154	MATTRESS SUPPORT, CPL. LEG SECTION, ALU.	→ 2015-09-11	1
3	SP1427840-7035	LEG SECTION, LIGHT GREY, ETUDE	2015-09-14 →	1
4	SP1427840-0154	LEG SECTION, ALU., ETUDE	→ 2015-09-11	1
5	SP1605511-7035	TOP FRAME, LEG SECTION, LIGHT GREY	2015-09-14 →	1
6	SP1605511-0154	TOP FRAME, LEG SECTION, ALU.	→ 2015-09-11	1
7	SP1435195	Replacement kit (screw and nut)		1
8	SP1584437	Finger screws M8x13 RAL7035 (Qty.2)		1
9	SP1605512	MOTOR, CPL., LEG END		1
10	SP1427886-7035	Motor 24V LA27 Tib.Elec. Etude Plus		1
11	SP819411	Package, Retaining Pin		1



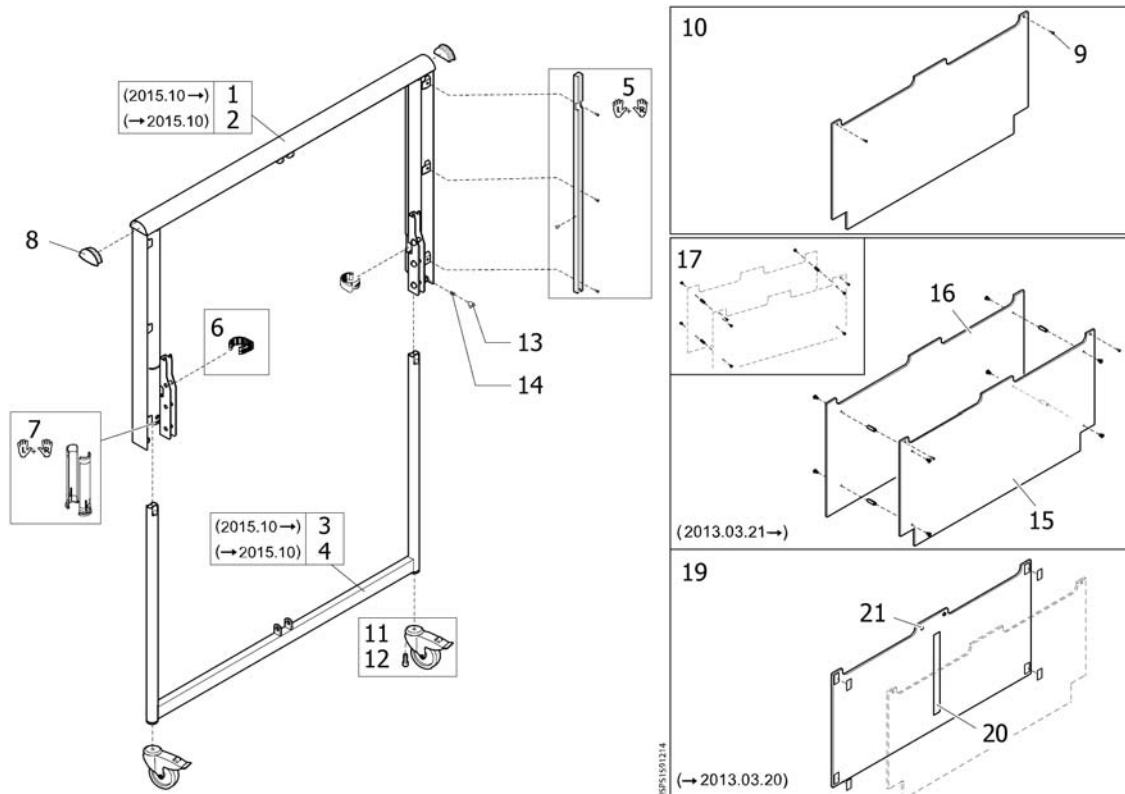
## Extension, mattress support



SP1423993

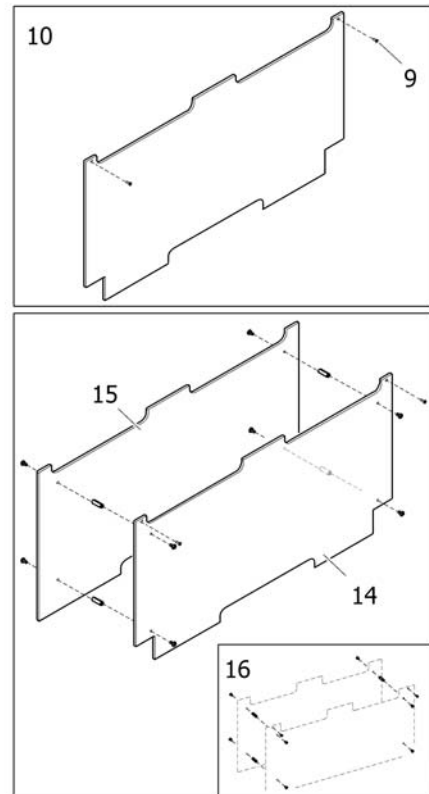
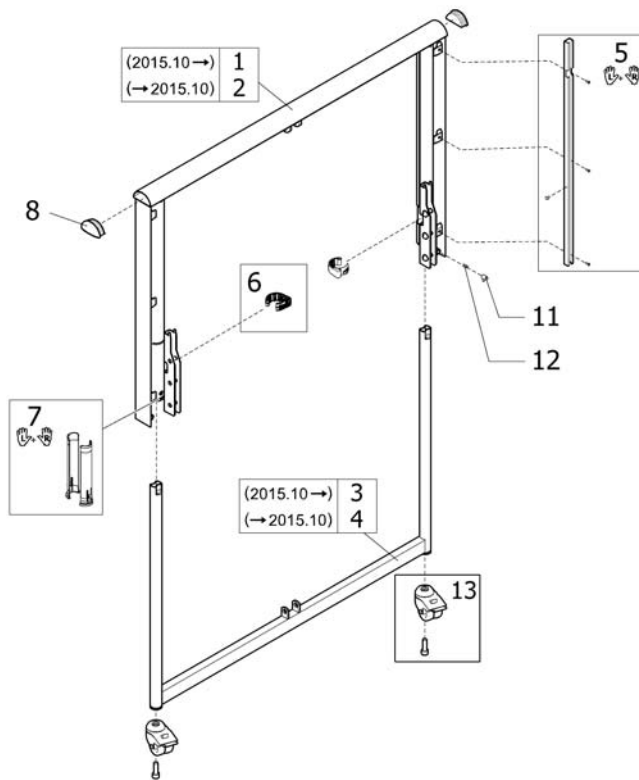
Pos.	Part number	Description	Valid from → until	Qty
1	SP1423993-7035	MATTRESS SUPPORT, EXTENSION, 10CM, RAL7035		1
2	SP1423993-0154	MATTRESS SUPPORT, EXTENSION, 10CM, RAL0154		1
3	SP1423994-7035	MATTRESS SUPPORT, EXTENSION, 20CM, RAL7035		1
4	SP1423994-0154	MATTRESS SUPPORT, EXTENSION, 20CM, RAL0154		1
5	SP1435325-7035	Finger screw M8x13 mm RAL7035		1

## Bed end



Pos.	Part number	Description	Valid from → until	Qty
1	SP1538383-7035	Upper bedend (RAL7035)	2015-09-14 →	1
2	SP1538383-0154	Upper bedend (RAL0154)	→ 2015-09-11	1
3	SP1538390-7035	Lower bed end (RAL7035)	2015-09-14 →	1
4	SP1538390-0154	Lower bed end (RAL0154)	→ 2015-09-11	1
5	SP1601548	GUIDE, SIDE RAIL, CPL, PAIR		1
6	SP418443-7035	Locking ring Ø52xØ37.5x24		1
7	SP1563579	Top Liner Kit		1
8	SP1441400-7035	End plug		1
10	SP1538316-0101	Bed end, woodplate <i>For bed end without extra wood plate</i>	→ 2013-03-20	1
11	SP1552392	Caster Kit 100mm Metal		1
12	SP1554588	Caster Kit 100mm Composite		1
13	SP1545056	Locking pin, Qty.2		1
14	SP1441486	Spring, Qty.2		1
15	SP1568866-0101	Inner wooden plate with holes, bed end		1
16	SP1538317-0101	Woodplate, outer, cpl., Bed end		1
17	SP1177554	Wood Cover Fixation Kit		1
18	SP1551228	Extra bed end plate, velcro		1
19	SP1563579	Top Liner Kit		1
20	SP1538443	Velcro soft side		1

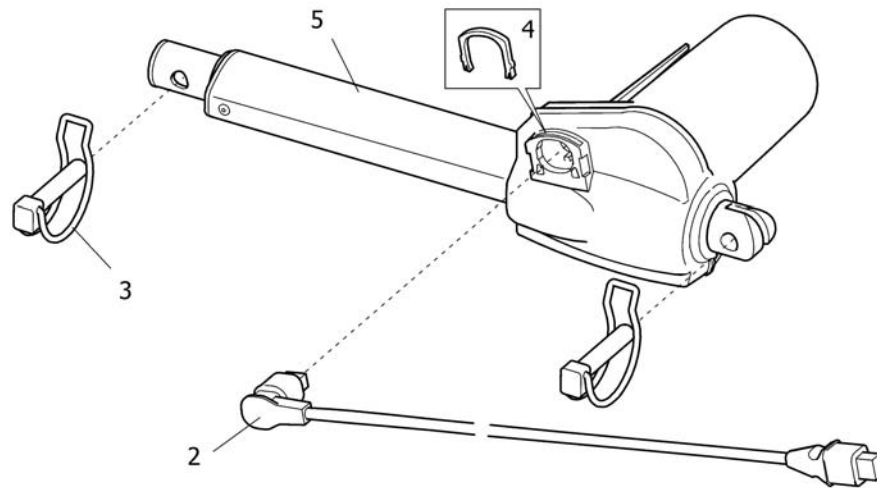
Invacare® Etude Plus | Bed end for lifting  
**Bed end, Etude Plus Low**



Pos.	Part number	Description	Valid from → until	Qty
1	SP1568599-7035	Upper bedend(RAL7035)	2015-09-14 →	0
2	SP1568599-0154	Upper bedend(RAL0154)	→ 2015-09-11	0
3	SP1568600-7035	Lower part, bed end(RAL7035)	2015-09-14 →	0
4	SP1568600-0154	Lower part, bed end(RAL0154)	→ 2015-09-11	0
5	SP1568547	Guide, side rail, cpl, pair		0
6	SP418443-7035	Locking ring Ø52xØ37.5x24		0
7	SP1563579	Top Liner Kit		0
8	SP1441400-7035	End plug		0
9	SP818305	Tubalar rivet 4,8 x 16 mm		1
10	SP1568863-0101	Inner wooden plate without holes, bed end		1
11	SP1545056	Locking pin, Qty.2		0
12	SP1441486	Spring, Qty.2		0
13	SP1177548	Caster Asm 50mm		0
14	SP1568546-0101	Inner wooden plate with holes		1
15	SP1568663-0101	Quarter wooden plate cpl., bed end Low		1
16	SP1177554	Wood Cover Fixation Kit		1

## Motor, backrest

1

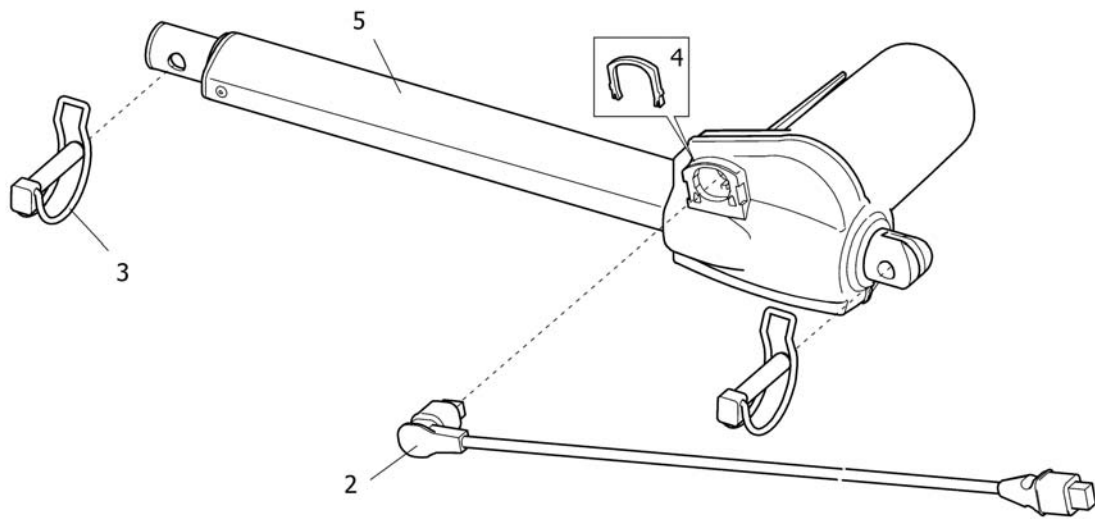


SP1551454

Pos.	Part number	Description	Valid from → until	Qty
1	SP1591336	Motor cpl., backrest		1
2	SP1551455-7035	Cable 200mm, for motor LA27		1
3	SP819411	Package, Retaining Pin		1
4	SP1551875	Locking clip		1
5	SP1551454-7035	Actuator 24V, LA27		1

## Motor, backrest with auto regression

1

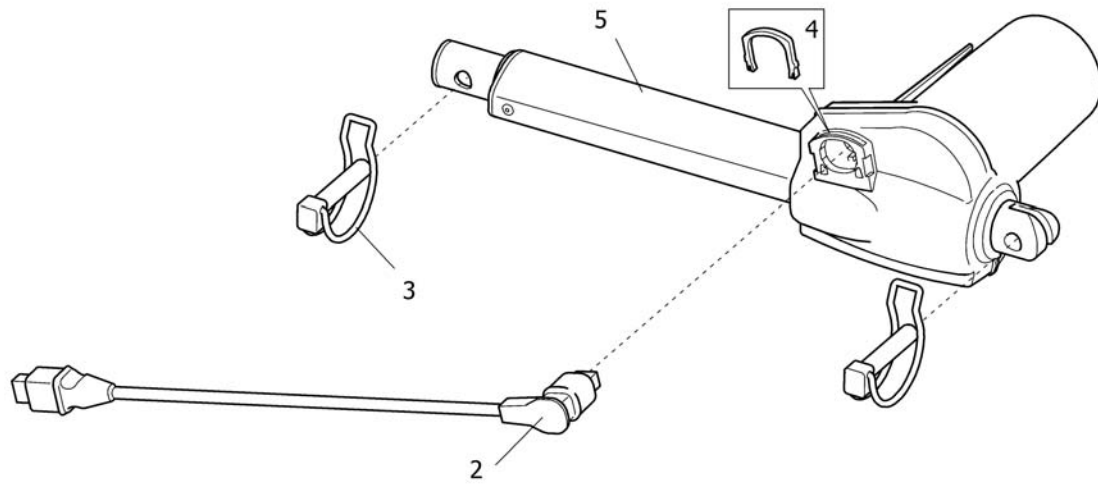


SP1584451

Pos.	Part number	Description	Valid from → until	Qty
1	SP1584451	Motor cpl.,backrest with auto regression		1
2	SP1551455-7035	Cable 200mm, for motor LA27		1
3	SP819411	Package, Retaining Pin		1
4	SP1551875	Locking clip		1
5	SP1531616-7035	Actuator 24V, LA27		1

## Motor, leg end

1

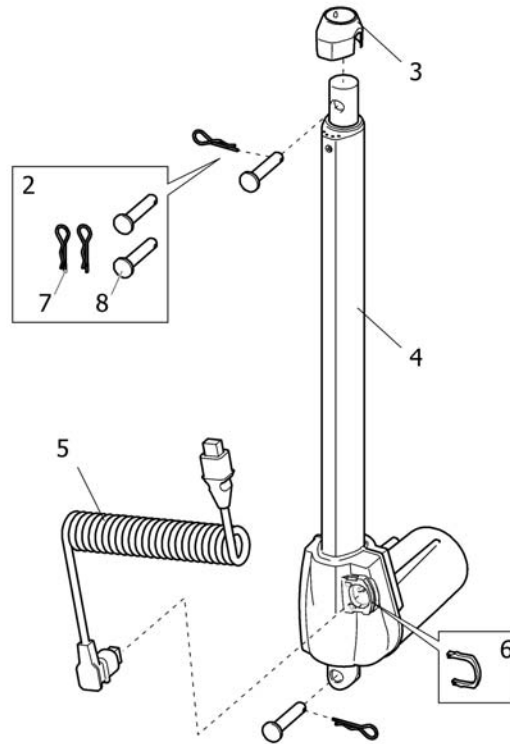


012354

Pos.	Part number	Description	Valid from → until	Qty
1	SP1601623	Motor cpl., legrest, Etude plus		1
2	SP1551457-7035	Cable 1250mm, for motor LA27		1
3	SP819411	Package, Retaining Pin		1
4	SP1551875	Locking clip		1
5	SP1551456-7035	Actuator, 24V, LA27		1

## Motor, bed end

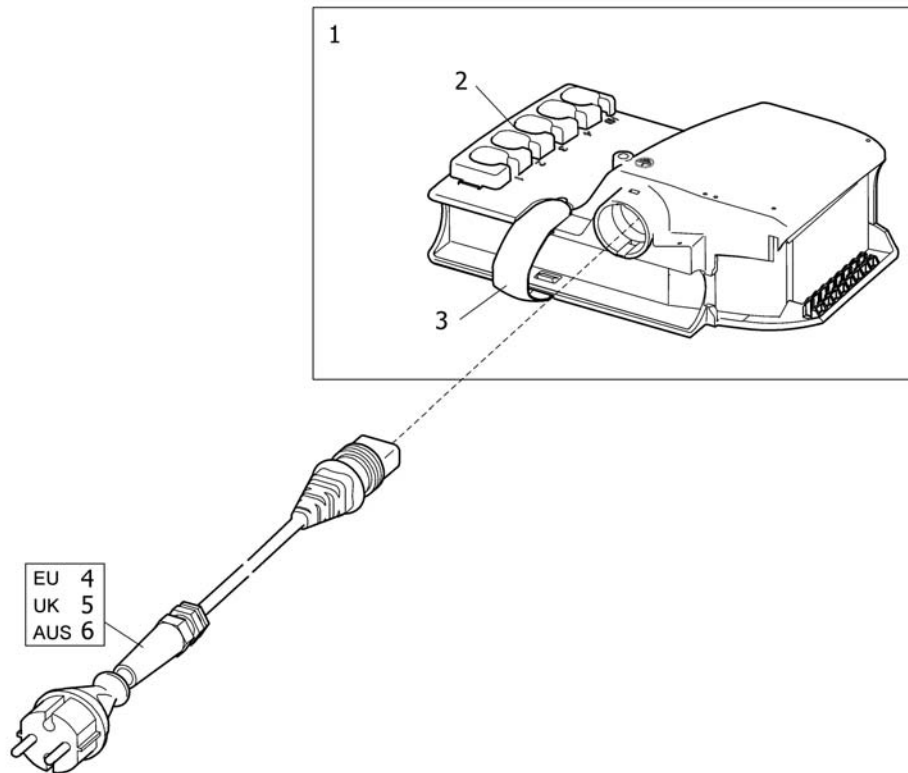
1



SP1552524

Pos.	Part number	Description	Valid from → until	Qty
1	SP1552524	Actuator 24V, LA27, bed end, cpl.		1
2	SP1601594	Fitting kit, motor bed end, Etude Plus		1
3	SP1432760-7035	Plastic cap		1
4	SP1551452-7035	Motor, 24V LA27		1
5	SP1551453-7035	Cable, LA27		1
6	SP1551875	Locking clip		1
7	SP816427	Spring pin, ø2		1
8	SP821244	Clevis pin, ø10x50		1

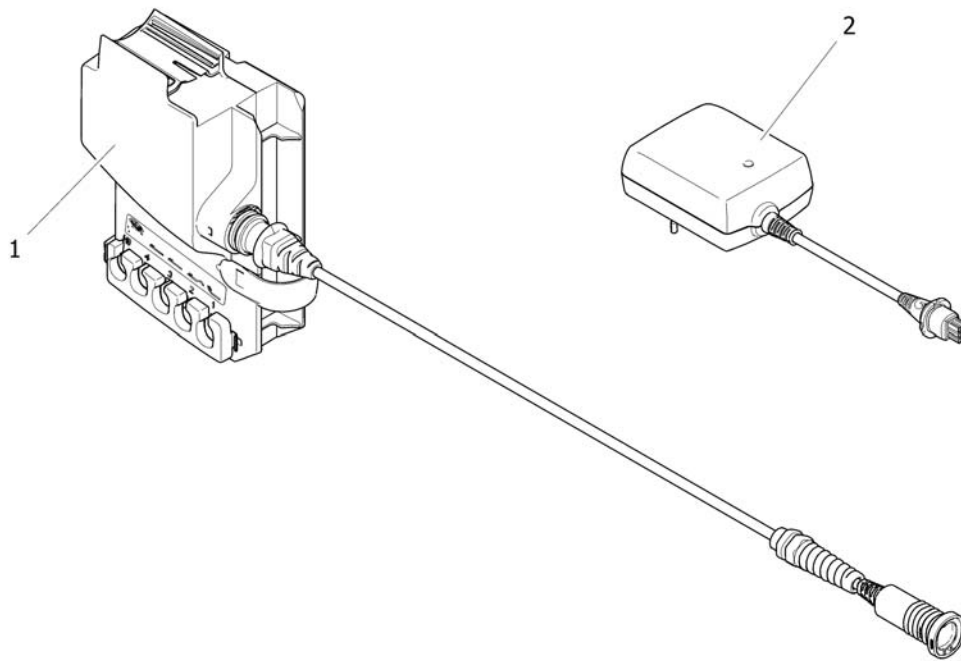
# Control unit 230V, CB06



SPS1449568

Pos.	Part number	Description	Valid from → until	Qty
1	SP1449568-7035	Control unit CB06, Etude Plus		1
2	SP1423968-7035	Locking clip, control unit CB06		1
3	SP1427705-7035	Control Box Retaining Clip		1
4	SP1417517-7035	Main cable (4,35m) with EU plug		1
5	SP1539737-7035	Main cable (4,35m) with UK plug		1
6	SP1539738-7035	AUS Main Cord		1

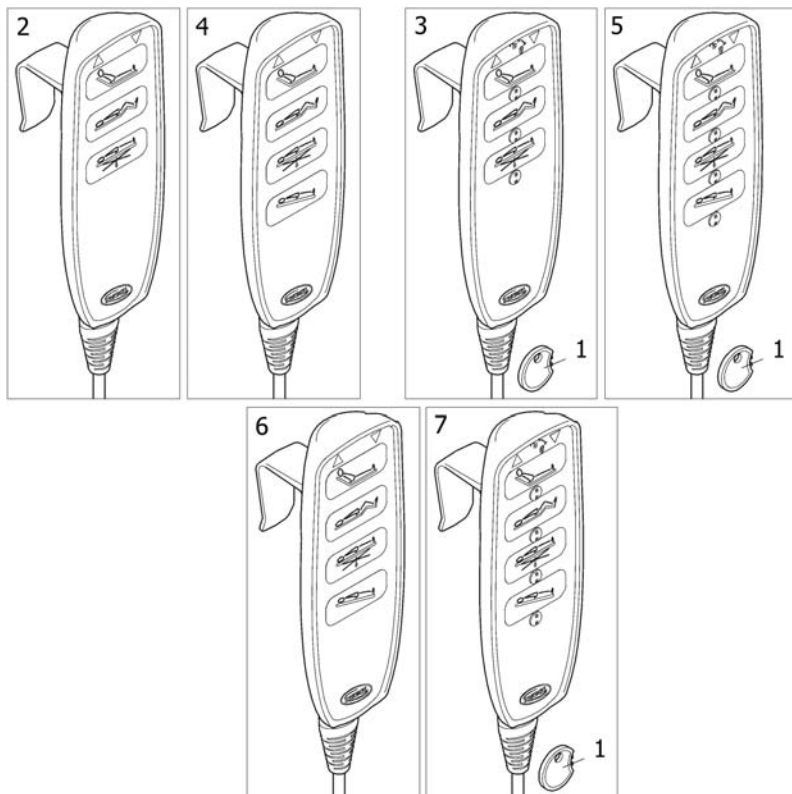




SPS1539739

Pos.	Part number	Description	Valid from → until	Qty
1	SP1539739-7035	Control unit 24V, CB06		1
2	SP1509466-7016	Wall transformer 24V		1

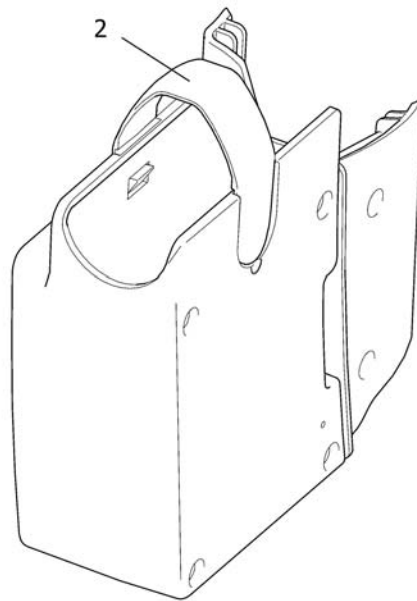
## Hand control



Pos.	Part number	Description	Valid from → until	Qty
1	SP1493529	Blocking key for hand control HL80		1
2	SP1548930-7035	Hand control, HB83		1
3	SP1548932-7035	Hand control, HL83		1
4	SP1548934-7035	Hand control with tilt, HB84		1
5	SP1548936-7035	Hand control with tilt, HL84		1
6	SP1586637-7035	Hand control, anti-tilt, HB84		1
7	SP1587619-7035	Hand control, anti-tilt, HL84		1

## Battery, back-up

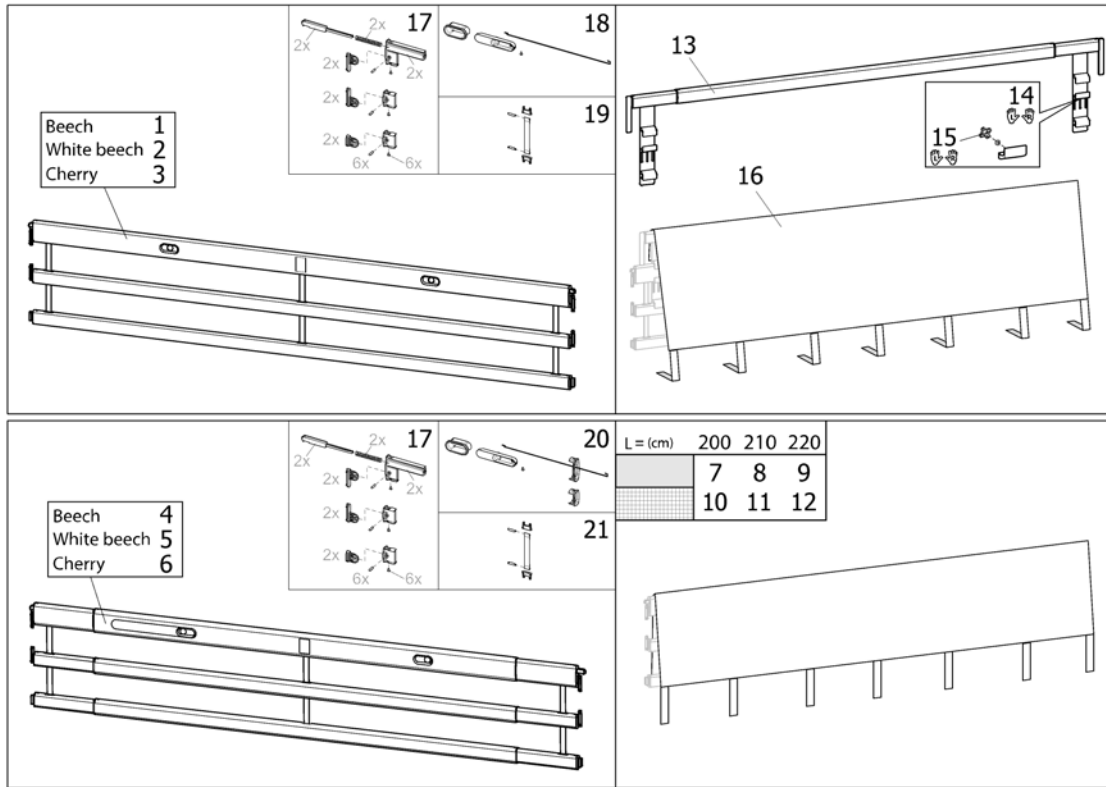
1



SP51491135

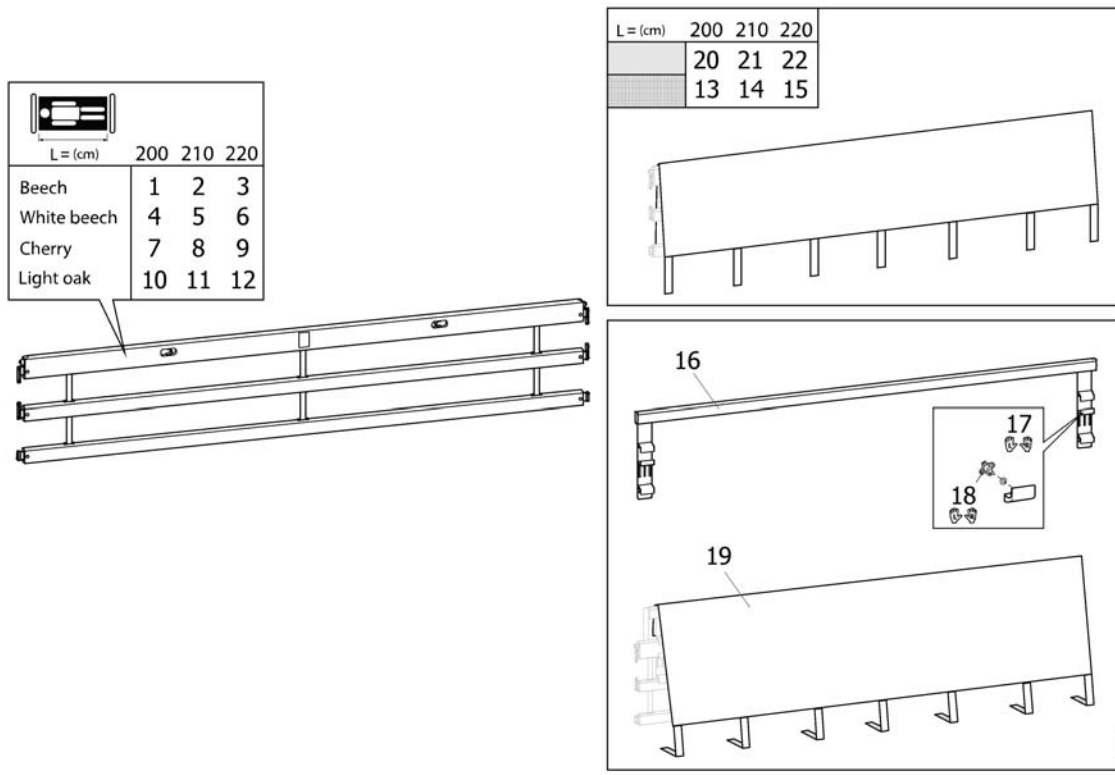
Pos.	Part number	Description	Valid from → until	Qty
1	SP1491135-7035	Backup battery		1
2	SP1491150-7035	Locking clips for backup battery CB06 RAL7035		1

# Line siderail



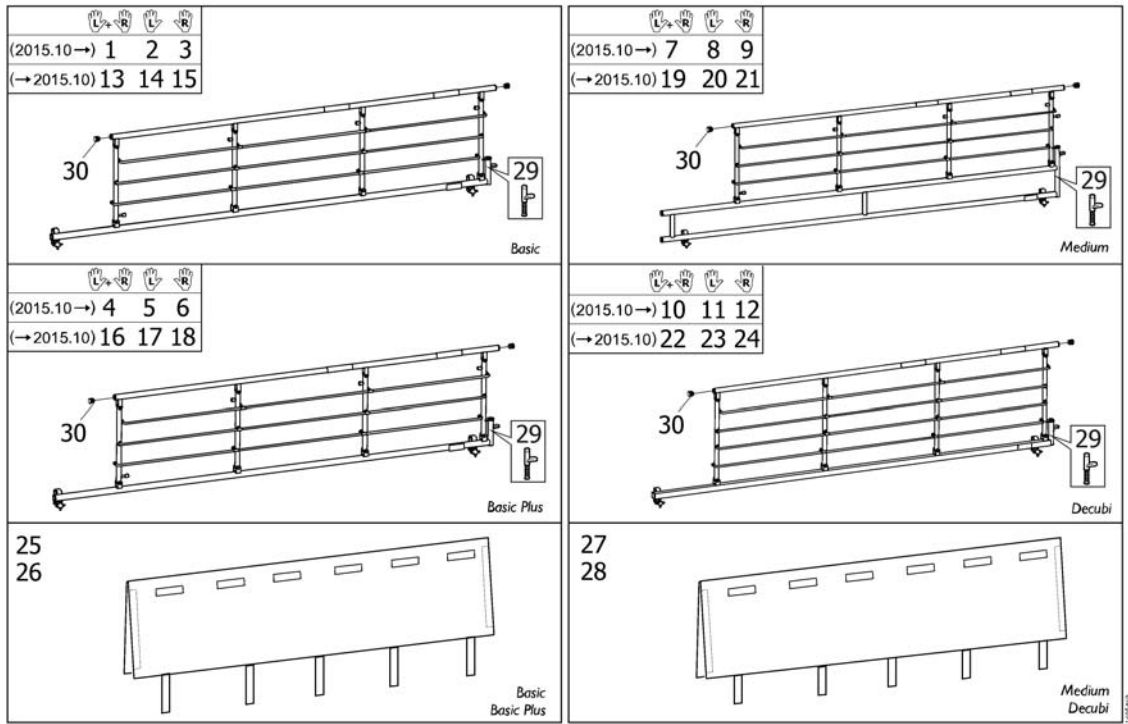
Pos.	Part number	Description	Valid from → until	Qty
1	1522786-0125	Side-rails Alu Line Beech (pair)		1
2	1522786-0126	Line siderail, white beech, pair		1
3	1522786-0127	Side-rails Alu Line cherry (pair)		1
4	1522787-0125	Line siderail ext., beech, pair		1
5	1522787-0126	Line siderail ext., white beech, pair		1
6	1522787-0127	Line siderail ext., cherry, pair		1
7	1449588	Cover 200cm, Line/Britt V siderail		1
7	1449589	Cover 200cm, xtra padded, Line/Britt V siderail		1
8	1449591	Cover 210cm, Line/Britt V siderail		1
9	1449592	Cover 220cm, Line/Britt V siderail		1
10	1449590	Cover 200cm, net, Line/Britt V siderail		1
11	1449593	Cover 210cm, net, Line/Britt V siderail		1
12	1449594	Cover 220cm, net, Line/Britt V siderail		1
13	1538345-0125	Height extension, Line siderail		1
14	SP1572642	Fitting kit, siderail extension, Line		1
15	SP1572644	Handwheel, pair		1
16	1558095	Cover 200cm, height ext., Line/Britt V siderail		1
17	SP1547315	Spare parts kit 1, sliding parts		1
18	SP1547316	Spare parts kit 2, lock and wire		1
19	SP1525497	Strap + fittings, Line siderail		1
20	SP1547317	Kit, locking parts, Line ext. siderail		1
21	SP1525496	Strap + fittings, Line ext. siderail		1

## Britt V siderail



Pos.	Part number	Description	Valid from → until	Qty
1	1538458-0101	Side rail, Britt V, beech (1 pair)		1
2	1574861-0101	Britt V siderail 210cm, beech, pair		1
3	1574862-0101	Britt V siderail 220cm, beech, pair		1
4	1538458-0105	Britt V siderail, white beech, pair		1
5	1574861-0105	Britt V siderail 210cm, white beech, pair		1
6	1574862-0105	Britt V siderail 220cm, white beech, pair		1
7	1538458-0102	Side rail, Britt V, cherry (1 pair)		1
8	1574861-0102	Britt V siderail 210cm, cherry, pair		1
9	1574862-0102	Britt V siderail 220cm, cherry, pair		1
10	1538458-0526	Britt V siderail, light oak, pair		1
11	1574861-0526	Britt V siderail 210cm, light oak, pair		1
12	1574862-0526	Britt V siderail 220cm, light oak, pair		1
13	1449590	Cover 200cm, net, Line/Britt V siderail		1
14	1449593	Cover 210cm, net, Line/Britt V siderail		1
15	1449594	Cover 220cm, net, Line/Britt V siderail		1
16	1538420-0125	Height extension, Britt siderail		1
17	SP1572643	Fitting kit, siderail extension, Britt		1
18	SP1572644	Handwheel, pair		1
19	1558095	Cover 200cm, height ext., Line/Britt V siderail		1
20	1449588	Cover 200cm, Line/Britt V siderail		1
20	1449589	Cover 200cm, xtra padded, Line/Britt V siderail		1
21	1449591	Cover 210cm, Line/Britt V siderail		1
22	1449592	Cover 220cm, Line/Britt V siderail		1
23	SP1552607	Release system kit for wooden side rails Britt V		1
24	SP1552606	Sliding kit for side rail Britt V		1
25	SP1552608	Spare parts kit 3, strap w/ fittings (1 side rail)		1

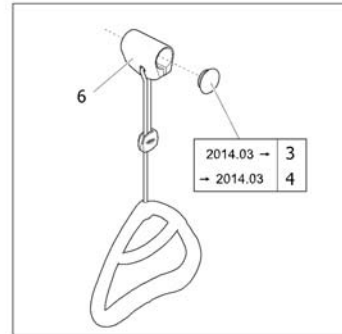
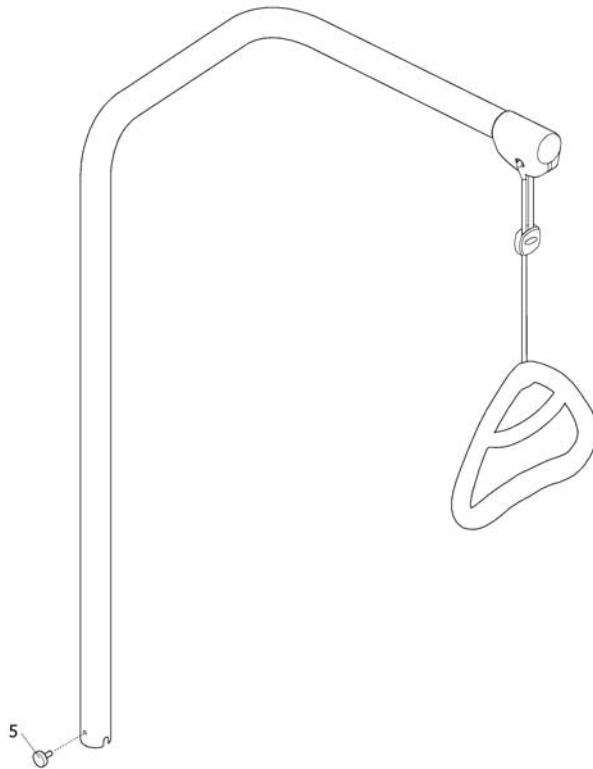
# Scala siderails



Pos.	Part number	Description	Valid from → until	Qty
1	1528930-7035	Side rail, Scala 2 Basic, pair		1
2	1528931-7035	Side Rail, Scala 2 Basic, left		1
3	1529272-7035	Side Rail, Scala 2 Basic, right		1
4	1529745-7035	Side Rail, Scala 2 Basic Plus, pair		1
5	1529746-7035	Side Rail, Scala 2 Basic Plus, left		1
6	1529901-7035	Side Rail, Scala 2 Basic Plus, right		1
7	1530436-7035	Side Rail, Scala 2 Medium, pair		1
8	1530437-7035	Side Rail, Scala 2 Medium, left		1
9	1530453-7035	Side Rail, Scala 2 Medium, right		1
10	1530817-7035	Side Rail, Scala 2 Decubi, pair		1
11	1530818-7035	Side Rail, Scala 2 Decubi, left		1
12	1530819-7035	Side Rail, Scala 2 Decubi, right		1
13	1528930-0154	Side Rail, Scala 2 Basic, pair		1
14	1528931-0154	Side Rail, Scala 2 Basic - Left		1
15	1529272-0154	Side Rail, Scala 2 Basic - Right		1
16	1529745-0154	Side Rail, Scala 2 Basic Plus, pair		1
17	1529746-0154	Side Rail, Scala 2 Basic Plus - Left		1
18	1529901-0154	Side Rail, Scala 2 Basic Plus - Right		1
19	1530436-0154	Side Rail, Scala 2 Medium, pair		1
20	1530437-0154	Side Rail, Scala 2 Basic Medium - Left		1
21	1530453-0154	Side Rail, Scala 2 Basic Medium - Right		1
22	1530817-0154	Side Rail, Scala 2 Decubi, pair		1
23	1530818-0154	Side Rail, Scala 2 Decubi - Left		1
24	1530819-0154	Side Rail, Scala 2 Decubi - Right		1
25	1449423	Cover, siderail Basic/Basic Plus		1
26	1449417	Cover, xtra padded, Siderail Basic/Basic Plus		1
27	1449419	Cover, siderail Medium/Decubi		1
28	1449757	Cover, xtra padded, Siderail Medium/Decubi		1
29	SP1581934	Locking device, siderail, Scala		1
30	SP804399-7035	End plug Ø22		1

# Lifting Pole

(2015.10 →)	1
(→ 2015.10)	2

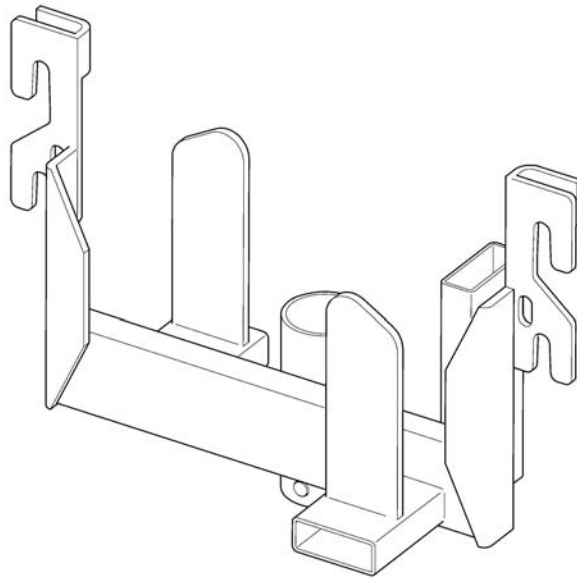


18915152002

Pos.	Part number	Description	Valid from → until	Qty
1	1542093-7035	Lifting Pole RAL 7035		1
2	1542093-0154	Lifting Pole		1
3	SP317836	Cap 33mm, lifting pole		1
4	SP1574796	Cap 30mm, lifting pole		1
5	SP1583937	Handwheel M6X15		1
6	SP320597	Lifting Pole Handle with Suspension Kit		1

# Transport adaptor

(2015.10→)	1
(→2015.10)	2



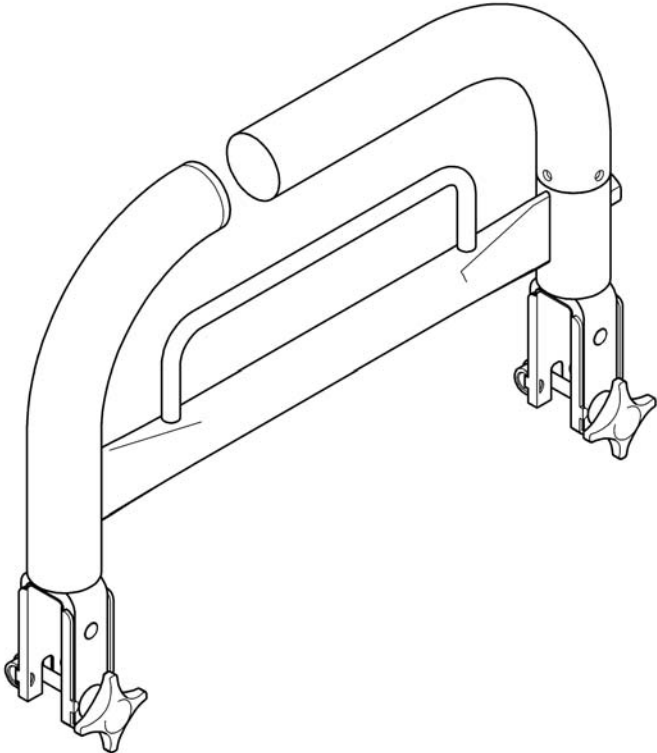
© Invacare

Pos.	Part number	Description	Valid from → until	Qty
1	1543779-7035	Transport adaptor Qty.2, Light grey, Etude Plus		1
2	1543779-0154	Transport adaptor Qty.2, Alu grey, Etude Plus		1



# Support handle, swivel

(2015.10→)	1
(←2015.10)	2

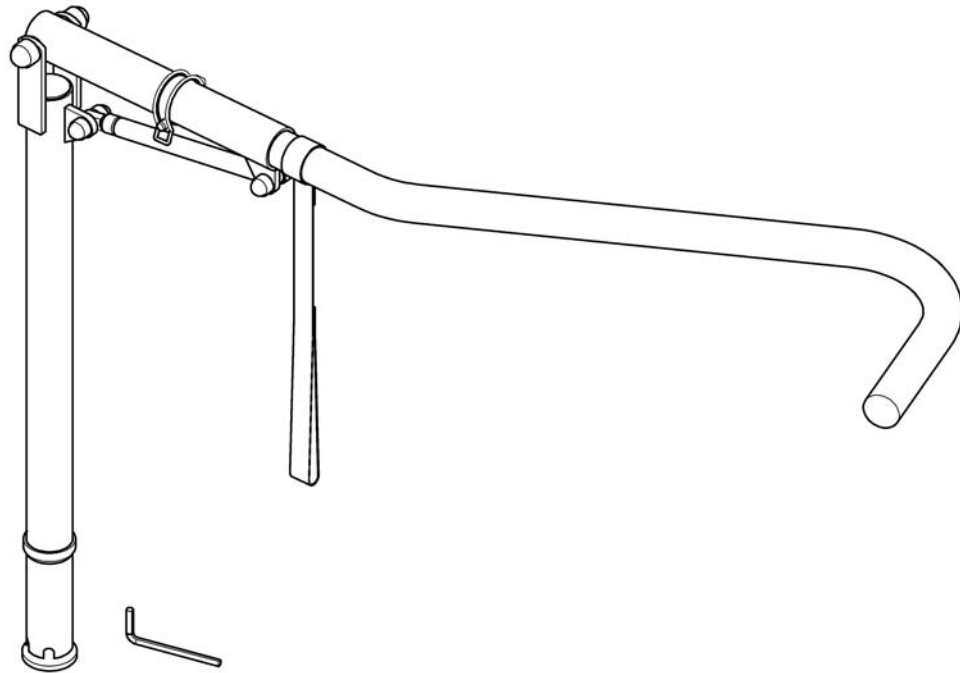


559631548

Pos.	Part number	Description	Valid from → until	Qty
1	1529665-7035	SUPPORT HANDLE, SWIVEL, LIGHT GREY (RAL7035)		1
2	1529665-0154	SUPPORT HANDLE, SWIVEL, ALU (RAL0154)		1

## Support handle, stand-up

(2015.10→)	1
(→2015.10)	2

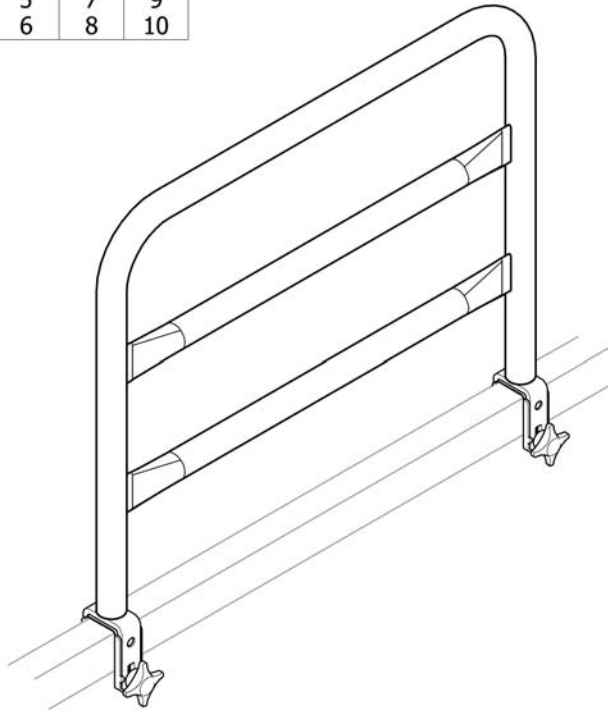


091314444

Pos.	Part number	Description	Valid from → until	Qty
1	1534684-7035	SUPPORT HANDEL, STAND-UP, LIGHT GREY (RAL7035)		1
2	1534684-0154	SUPPORT HANDEL, STAND-UP, ALU (RAL0154)		1

## Support handle

	25X30	25X80	40X30	40X50	40X95
(2015.10→)	1	3	5	7	9
(→2015.10)	2	4	6	8	10

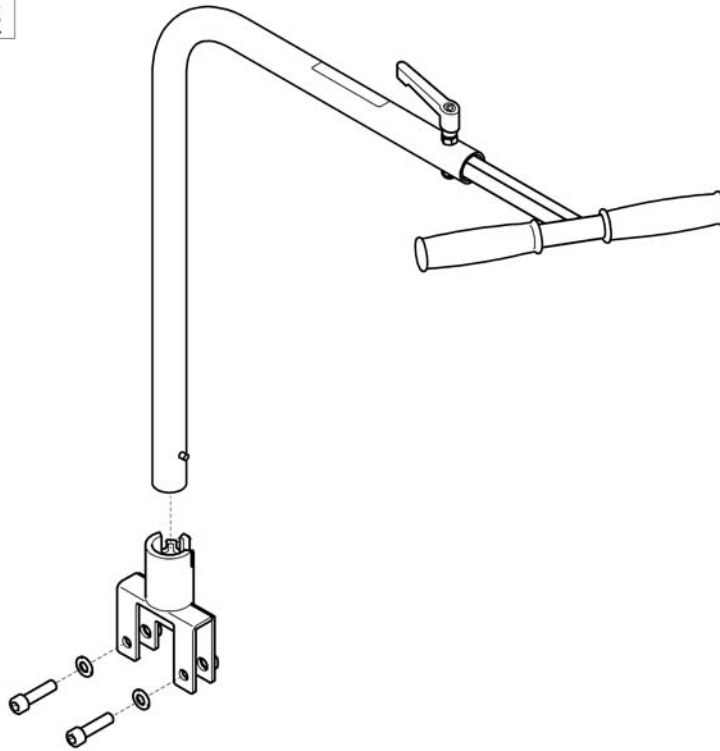


15P51417510

Pos.	Part number	Description	Valid from → until	Qty
1	021964-7035	SUPPORT HANDLE, 25X30CM		1
2	021964-0154	Support handle 25x30 cm		1
3	1417510-7035	SUPPORT HANDLE, 25X80CM		1
4	1417510-0154	Support handle 25x80 cm		1
5	1417511-7035	SUPPORT HANDLE, 40X30CM		1
6	1417511-0154	Support handle 40x30 cm		1
7	021963-7035	SUPPORT HANDLE, 40X50CM		1
8	021963-0154	Support handle 40x50 cm		1
9	1417512-7035	SUPPORT HANDLE, 40X95CM		1
10	1417512-0154	Support handle 40x95 cm		1

# Sit-up handle

(2015.10→)	1
(→2015.10)	2



Pos.	Part number	Description	Valid from → until	Qty
1	1426899-7035	SIT-UP SUPPORT, RAL 7035		1
2	1426899-0154	Sit-up-support, silver		1





Yes, you can.®



---

**Belgium & Luxemburg:**

Invacare nv, Autobaan 22, B-8210 Loppem  
Tel: (32) (0)50 83 10 10, Fax: (32) (0)50 83 10 11  
belgium@invacare.com / www.invacare.be

**Denmark:**

Invacare A/S, Sdr. Ringvej 37, DK-2605 Brøndby  
Tel: (45) (0)36 90 00 00, Fax: (45) (0)36 90 00 01  
denmark@invacare.com / www.invacare.dk

**Deutschland:**

Invacare Aquatec GmbH, Alemannenstraße 10, D-88316 Isny  
Tel: (49) (0)75 62 7 00 0, Fax: (49) (0)75 62 7 00 66  
info@invacare-aquatec.com / www.invacare-aquatec.de

**European Distributor Organisation:**

Invacare, Kleiststraße 49, D-32457 Porta Westfalica  
Tel: (49) (0)57 31 754 540, Fax: (49) (0)57 31 754 541  
edo@invacare.com / www.invacare.eu.com

**España:**

Invacare SA, c/Areny s/n, Polígon Industrial de Celrà, E-17460 Celrà (Girona)  
Tel: (34) (0)972 49 32 00, Fax: (34) (0)972 49 32 20  
contactsp@invacare.com / www.invacare.es

**France:**

Invacare Poirier SAS, Route de St Roch, F-37230 Fondettes  
Tel: (33) (0)2 47 62 64 66, Fax: (33) (0)2 47 42 12 24  
contactfr@invacare.com / www.invacare.fr

**Ireland:**

Invacare Ireland Ltd, Unit 5 Seatown Business Campus, Seatown Road, Swords, County Dublin - Ireland  
Tel: (353) 1 810 7084, Fax: (353) 1 810 7085  
ireland@invacare.com / www.invacare.ie

**Italia:**

Invacare Mecc San s.r.l., Via dei Pini 62, I-36016 Thiene (VI)  
Tel: (39) 0445 38 00 59, Fax: (39) 0445 38 00 34  
italia@invacare.com / www.invacare.it

**Nederland:**

Invacare BV, Celsiusstraat 46, NL-6716 BZ Ede  
Tel: (31) (0)318 695 757, Fax: (31) (0)318 695 758  
nederland@invacare.com, csede@invacare.com / www.invacare.nl

**Norge:**

Invacare AS, Grensesvingen 9, Postboks 6230, Etterstad, N-0603 Oslo  
Tel: (47) (0)22 57 95 00, Fax: (47) (0)22 57 95 01  
norway@invacare.com, island@invacare.com / www.invacare.no

**Österreich:**

Invacare Austria GmbH, Herzog Odilostrasse 101, A-5310 Mondsee  
Tel: (43) 6232 5535 0, Fax: (43) 6232 5535 4  
info-austria@invacare.com / www.invacare.at

**Portugal:**

Invacare Lda, Rua Estrada Velha, 949, P-4465-784 Leça do Balio  
Tel: (351) (0)225 1059 46/47, Fax: (351) (0)225 1057 39  
portugal@invacare.com / www.invacare.pt

**Sverige & Suomi:**

Invacare AB, Fagerstagatan 9, S-163 91 Spånga  
Tel: (46) (0)8 761 70 90, Fax: (46) (0)8 761 81 08  
sweden@invacare.com, finland@invacare.com / www.invacare.se

**Switzerland:**

Invacare AG, Benkenstrasse 260, CH-4108 Witterswil  
Tel: (41) (0)61 487 70 80, Fax: (41) (0)61 487 70 81  
switzerland@invacare.com / www.invacare.ch

**United Kingdom:**

Invacare Limited, Pencoed Technology Park, Pencoed, Bridgend CF35 5AQ  
Switchboard Tel: (44) (0)1656 776200, Fax: (44) (0)1656 776201  
Customer services Tel: (44) (0)1656 776222, Fax: (44) (0)1656 776220  
uk@invacare.com / www.invacare.co.uk