

Spare Parts Catalogue

Version: 2019/12/04a EN



Invacare[®] **Birdie**^{EVO}



Yes, you can.®

General Information

For any order of spare parts the following information is required:

- Product type*
- Product name & model*
- Serial Number*
- Part-Number*
- Part-Description*

Exploded view drawings and code numbers are not contractual and subject to modification, in relation to Invacare® continuous product improvement policy to meet end users needs.

The reproduction or use of this work, or of any substantial part of this work, in any form or by any electronic, mechanical or other means, including photocopying, scanning and recording, and in any information storage and retrieval system, including electronic transmission, is forbidden without the prior written permission of Invacare® International Sarl.



Yes, you can.®

TABLE OF CONTENTS

Colour and Information

| | |
|---------------------|---|
| Retouch Paint | 5 |
|---------------------|---|

Base with manual leg spread, Birdie EVO COMPACT

| | |
|--------------------------------|---|
| Base for Foldable Mast | 6 |
| Base for Fixed Mast | 7 |
| Leg assembly | 8 |
| Pedal mechanism assembly | 9 |

Base with manual leg spread, Birdie EVO

| | |
|--------------------------------|----|
| Base for Foldable Mast | 10 |
| Base for Fixed Mast | 11 |
| Leg assembly | 12 |
| Pedal mechanism assembly | 13 |

Base with electrical leg spread, Birdie EVO

| | |
|------------------------------|----|
| Base for Foldable Mast | 14 |
| Leg assembly | 15 |

Base with electrical leg spread, Birdie EVO PLUS/XPLUS

| | |
|------------------------------|----|
| Base for Foldable Mast | 16 |
| Base for Fixed Mast | 17 |
| Leg assembly | 18 |

Castors

| | |
|-------------------------------------------------|----|
| Birdie EVO COMPACT and Birdie EVO castors | 19 |
| Birdie EVO PLUS/XPLUS castors | 20 |

Electrical Parts

| | |
|------------------------------------------------------------|----|
| Actuator for Boom | 21 |
| Actuator for elec. leg spread, Birdie EVO | 22 |
| Actuator for elec. leg spread, Birdie EVO PLUS/XPLUS | 23 |
| Control units | 24 |
| Hand controls | 25 |
| Electrical Accessories & Hardware | 26 |

Mast and Boom

| | |
|-----------------------------------------------------------------|----|
| Birdie EVO COMPACT, Mast and Boom, Foldable or Fixed | 27 |
| Birdie EVO and EVO PLUS, Mast and Boom, Foldable or Fixed | 28 |
| Birdie EVO XPLUS, Mast and Boom, Foldable or Fixed | 29 |
| Labelling, Birdie EVO | 30 |
| Spreader Bar Damper Slow'R | 31 |

Spreader Bars

| | |
|----------------------------------------------|----|
| Spreader bar Hardware | 32 |
| Spreader bar 2 points (350/450/550 mm) | 33 |



Yes, you can.[®]

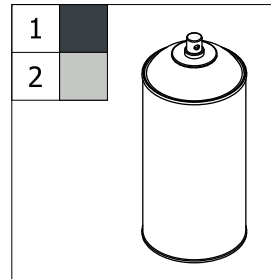
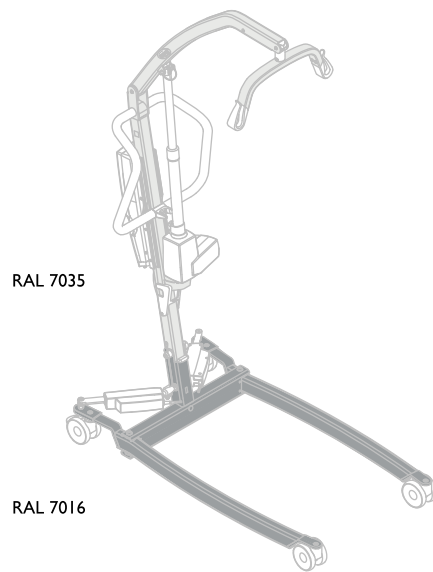
TABLE OF CONTENTS

| | |
|----------------------------------------------|----|
| Spreader bar 4 points (450/500/550 mm) | 34 |
|----------------------------------------------|----|

Accessories

| | |
|----------------------------|----|
| Scale and Attachment | 35 |
| Lever | 36 |
| Leg Protection | 37 |

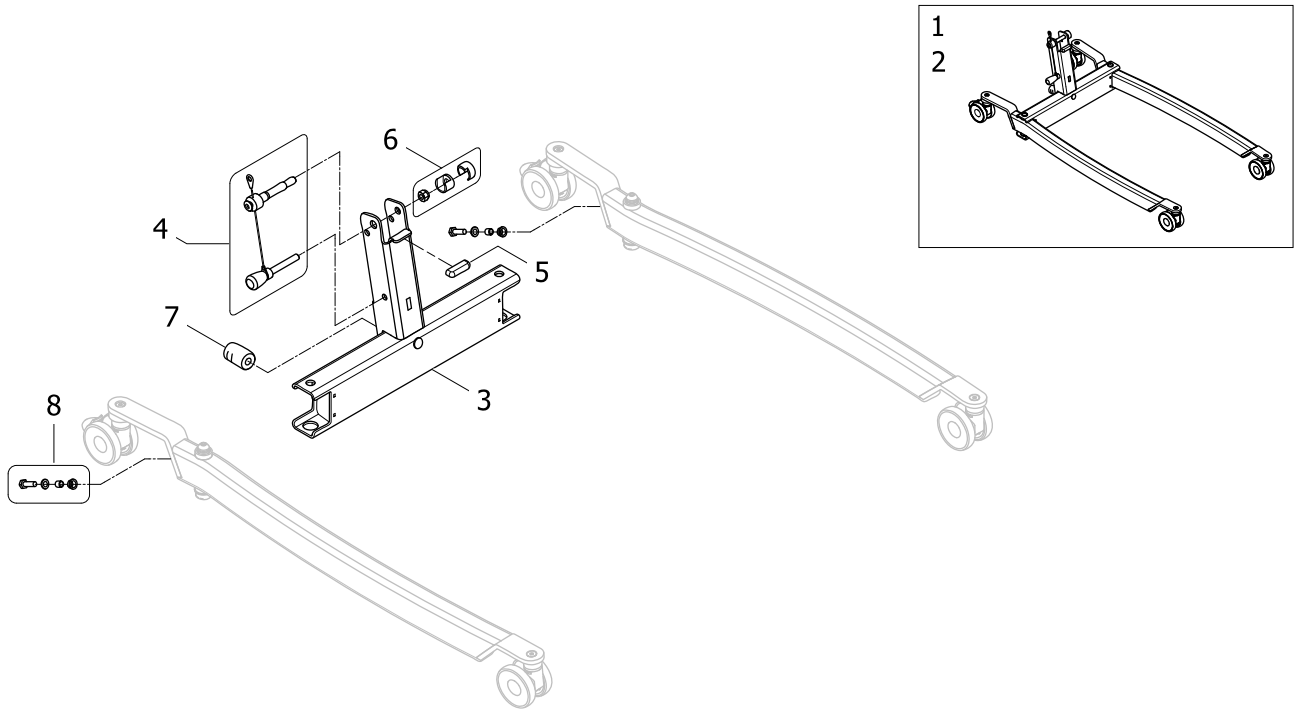
Retouch Paint



!SP51656590

| Pos. | Part number | Description | Valid from → until | Qty |
|------|-------------|-----------------------------|--------------------|-----|
| 1 | SP1654808 | Retouch Spray RAL7016 400ml | | 1 |
| 2 | SP1586086 | Retouch Spray RAL7035 400ml | | 1 |

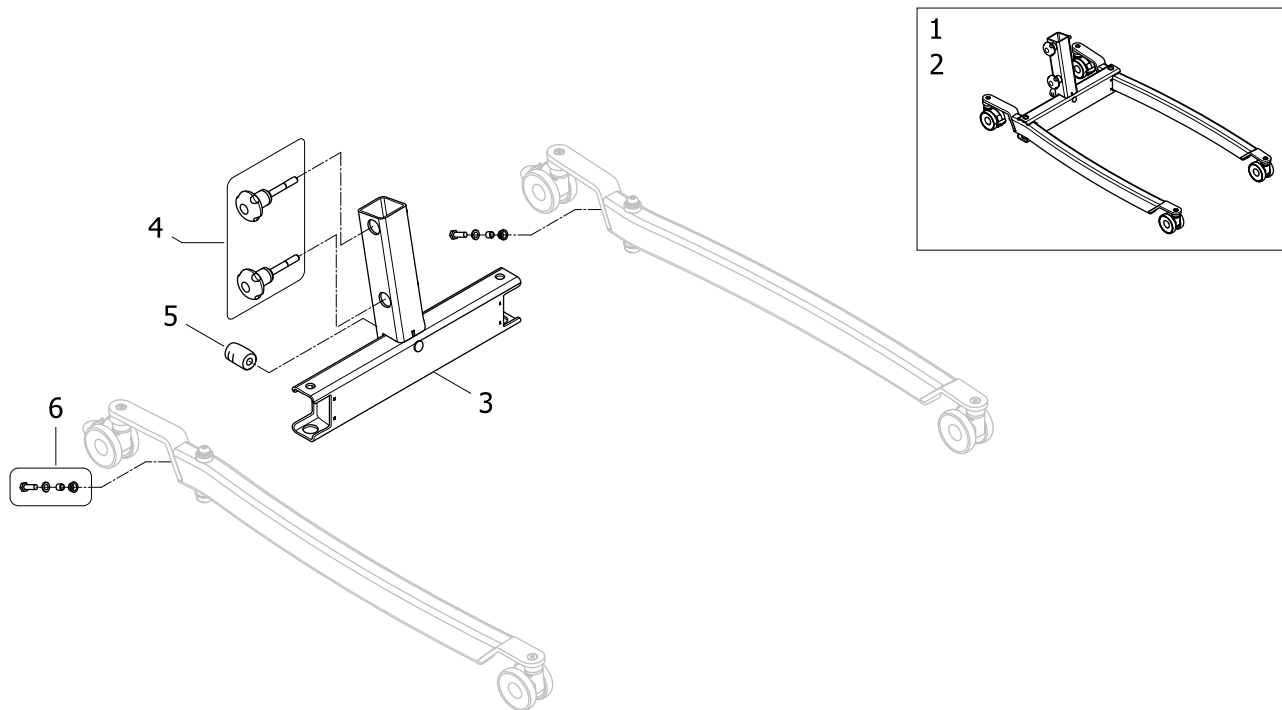
Base for Foldable Mast



ISPS1650623 ~ 1646693

| Pos. | Part number | Description | Valid from → until | Qty |
|------|----------------|--------------------------------------------------|--------------------|-----|
| 1 | SP1646693 | Base and legs fully assembled with 75mm castors | | 1 |
| 2 | SP1645811 | Base and legs fully assembled with 100mm castors | | 1 |
| 3 | SP1645796 | Base for foldable mast for Birdie EVO COMPACT | | 1 |
| 4 | SP1646694 | Handle kit for foldable mast | | 1 |
| 5 | SP1545308-7012 | Padded insert plastic | | 1 |
| 6 | SP1650834 | Plastic cover kit for foldable mast | | 1 |
| 7 | SP1510217-7012 | Pedal axle for Birdie/ISA lifters | | 1 |
| 8 | SP1650835 | Fixation kit for connection between leg and rod | | 1 |

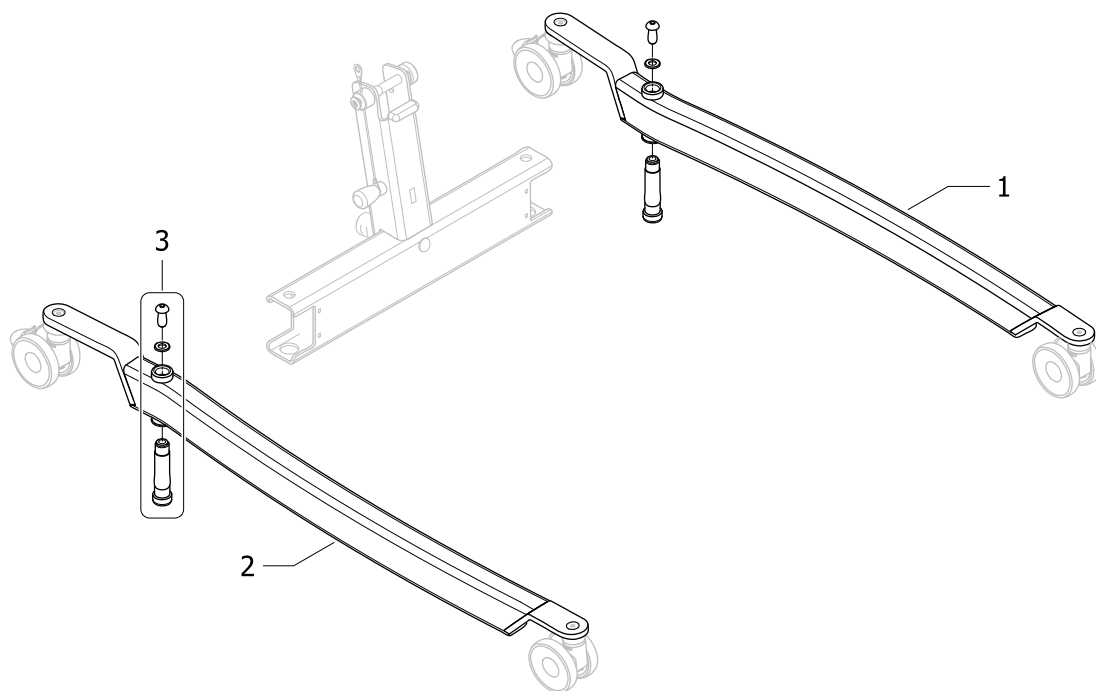
Base for Fixed Mast



ISPS1650727 ~ 1646695

| Pos. | Part number | Description | Valid from → until | Qty |
|------|----------------|------------------------------------------------------------|--------------------|-----|
| 1 | SP1646695 | Base and legs fully assembled with 75mm castors | | 1 |
| 2 | SP1645815 | Base and legs fully assembled 100mm castors | | 1 |
| 3 | SP1645809 | Base for fixed mast for Birdie EVO COMPACT and ISA COMPACT | | 1 |
| 4 | SP1650836 | Knob fixation kit | | 1 |
| 5 | SP1510217-7012 | Pedal axle for Birdie/ISA lifters | | 1 |
| 6 | SP1650835 | Fixation kit for connection between leg and rod | | 1 |

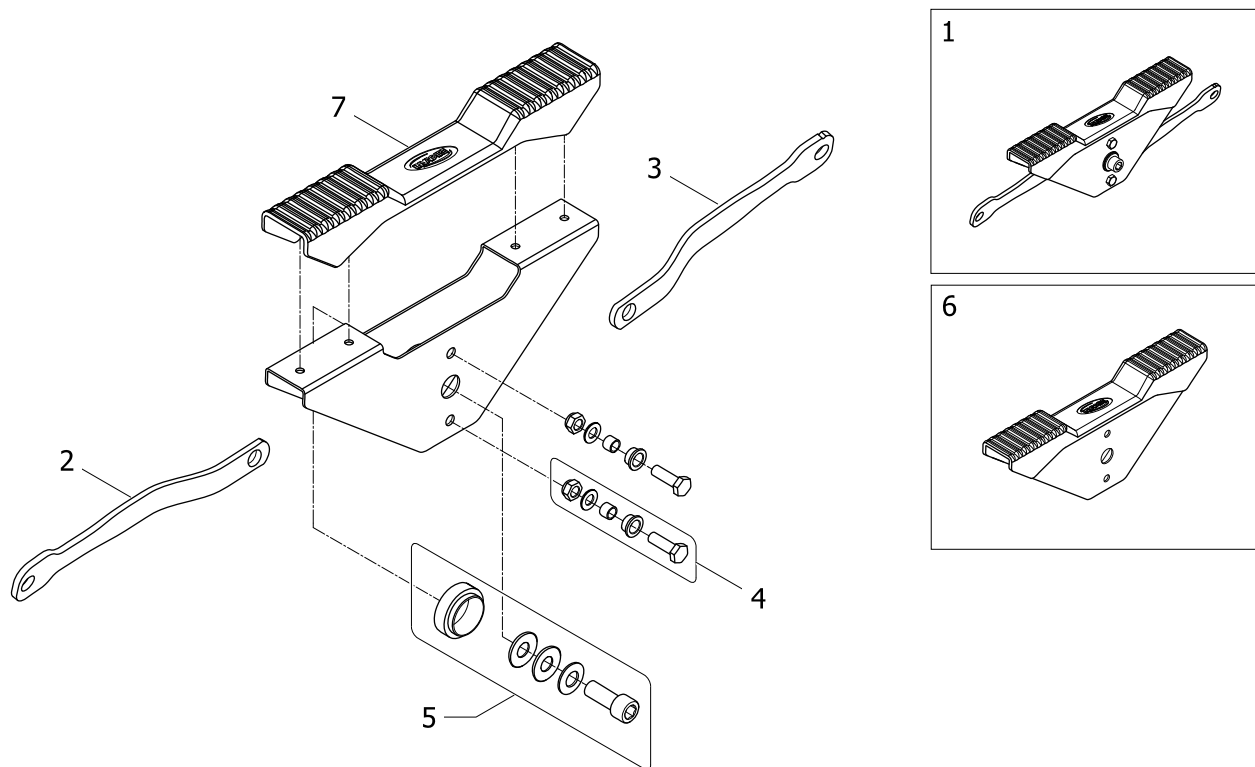
Leg assembly



ISPS1650728 ~ 1646693

| Pos. | Part number | Description | Valid from → until | Qty |
|------|-------------|--------------------------------------------------|--------------------|-----|
| 1 | SP1650837 | Left leg for Birdie EVO COMPACT and ISA STANDARD | | 1 |
| 2 | SP1650838 | Right leg for Birdie EVO COMPACT | | 1 |
| 3 | SP1650839 | Leg fixation kit: bushing, screw and washer | | 1 |

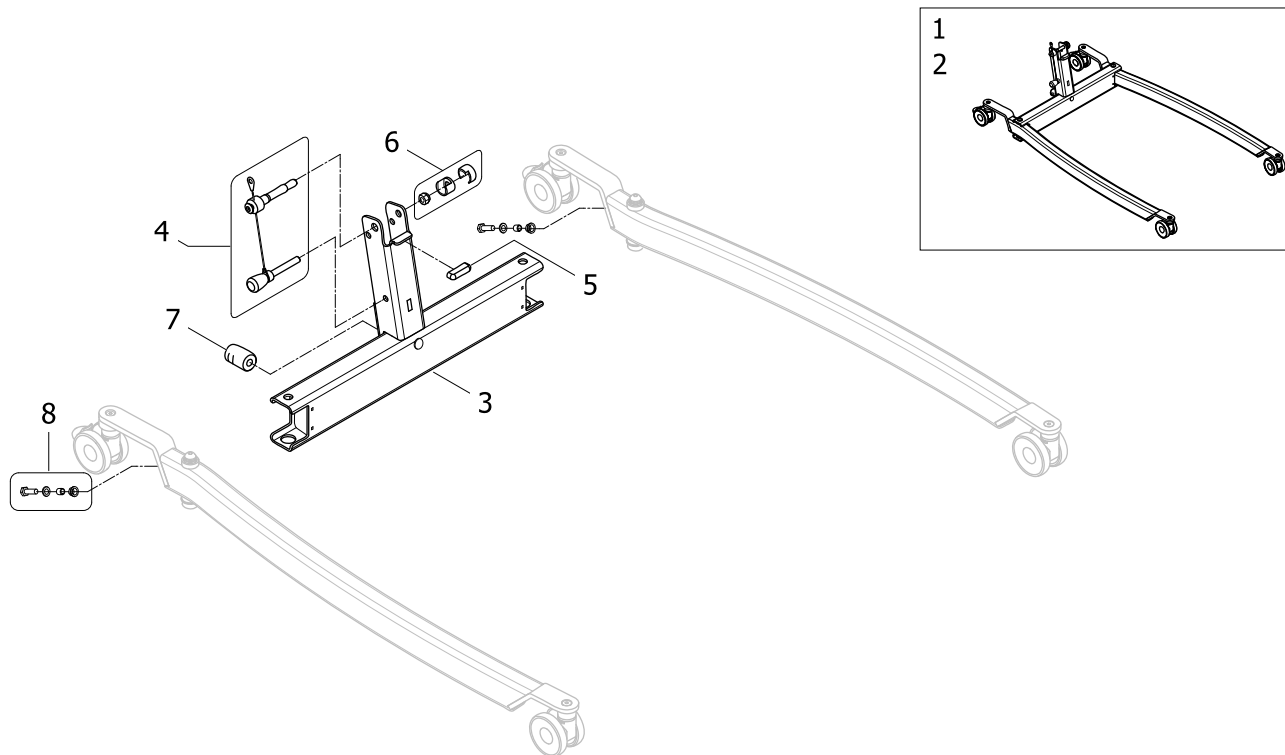
Pedal mechanism assembly



ISPS1650729 ~ 1646185

| Pos. | Part number | Description | Valid from → until | Qty |
|------|-------------|---------------------------------------------------|--------------------|-----|
| 1 | SP1646185 | Pedal mechanism fully assembled | | 1 |
| 2 | SP1645791 | Left connecting rod | | 1 |
| 3 | SP1645790 | Right connecting rod (with dent) | | 1 |
| 4 | SP1650840 | Fixation kit for connection between pedal and rod | | 1 |
| 5 | SP1650841 | Fixation kit for connection for pedal and base | | 1 |
| 6 | SP1650842 | Pedal kit (plate and cover) | | 1 |
| 7 | SP1645588 | Pedal cover | | 1 |

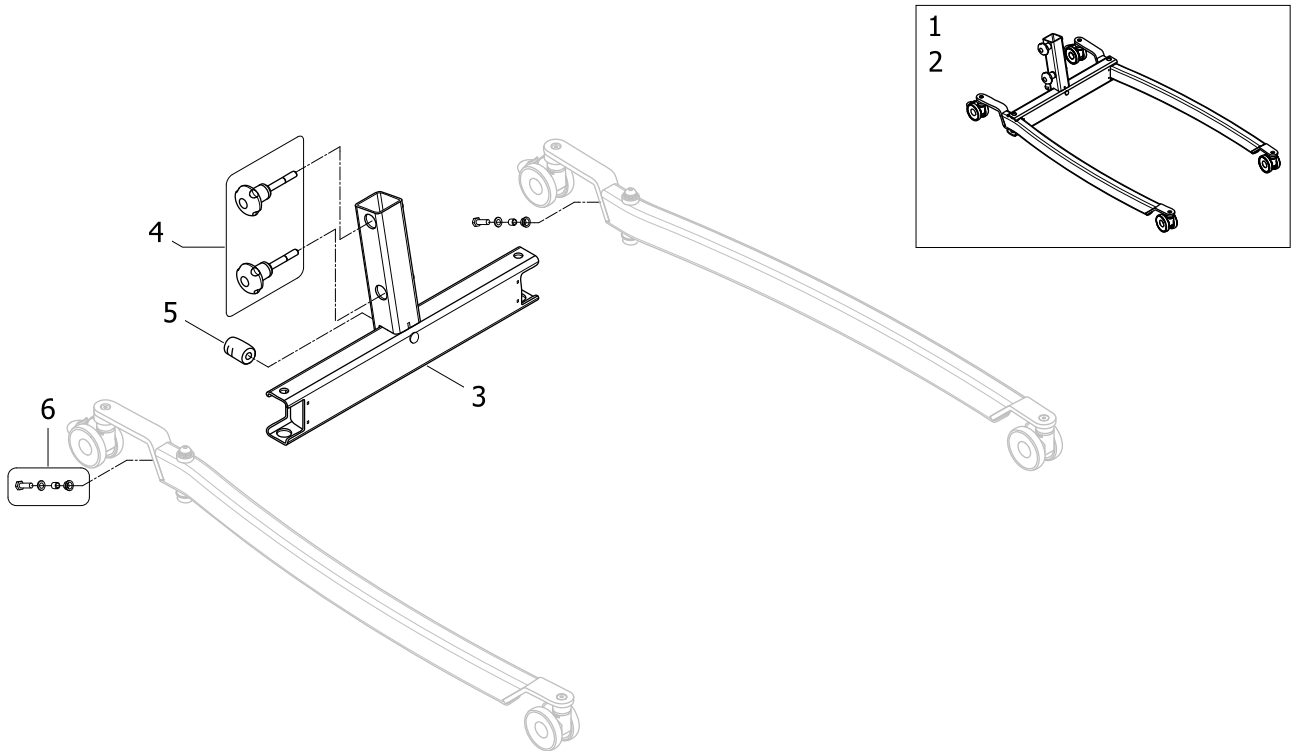
Base for Foldable Mast



ISP1650731 ~ 1646819

| Pos. | Part number | Description | Valid from → until | Qty |
|------|----------------|--------------------------------------------------|--------------------|-----|
| 1 | SP1646819 | Base and legs fully assembled with 75mm castors | | 1 |
| 2 | SP1645714 | Base and legs fully assembled with 100mm castors | | 1 |
| 3 | SP1645501 | Base for foldable mast for Birdie EVO | | 1 |
| 4 | SP1646694 | Handle kit for foldable mast | | 1 |
| 5 | SP1545308-7012 | Padded insert plastic | | 1 |
| 6 | SP1650834 | Plastic cover kit for foldable mast | | 1 |
| 7 | SP1510217-7012 | Pedal axle for Birdie/ISA lifters | | 1 |
| 8 | SP1650835 | Fixation kit for connection between leg and rod | | 1 |

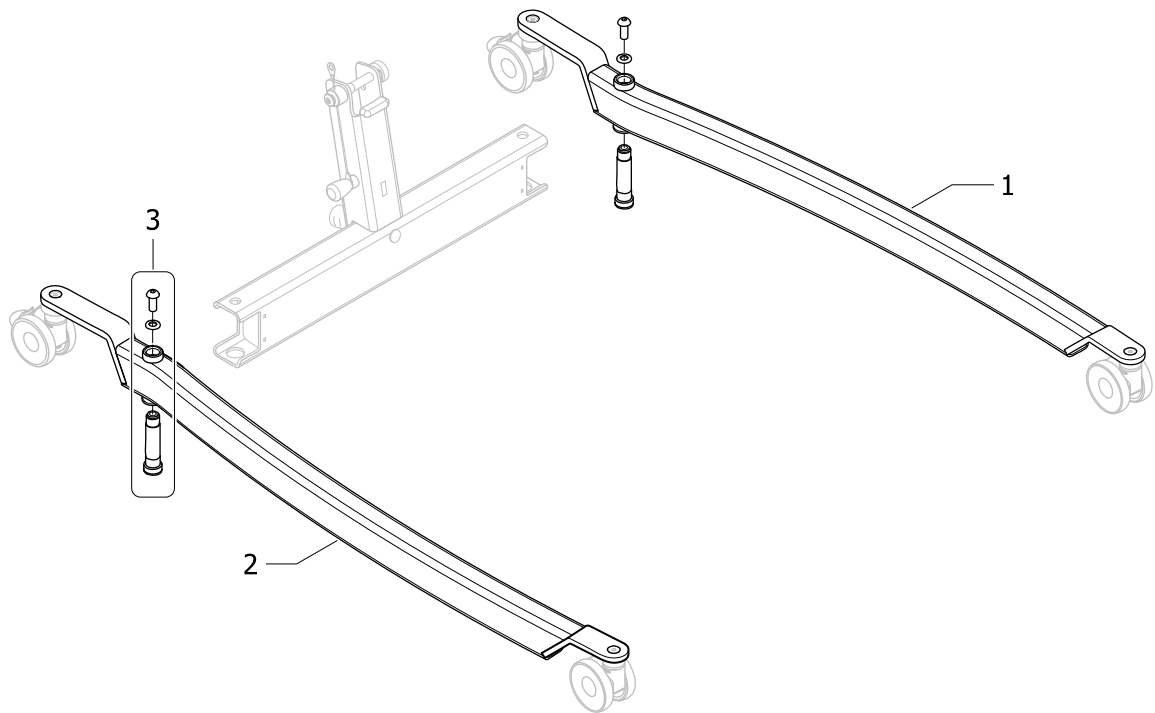
Base for Fixed Mast



ISP1650732 ~ 1646696

| Pos. | Part number | Description | Valid from → until | Qty |
|------|----------------|------------------------------------------------------------------------------|--------------------|-----|
| 1 | SP1646696 | Base and legs fully assembled with 75mm castors | | 1 |
| 2 | SP1645721 | Base and legs fully assembled with 100mm castors, Birdie EVO/ISA PLUS manual | | 1 |
| 3 | SP1645722 | Base for fixed mast for Birdie EVO and ISA STANDARD/PLUS | | 1 |
| 4 | SP1650836 | Knob fixation kit | | 1 |
| 5 | SP1510217-7012 | Pedal axle for Birdie/ISA lifters | | 1 |
| 6 | SP1650835 | Fixation kit for connection between leg and rod | | 1 |

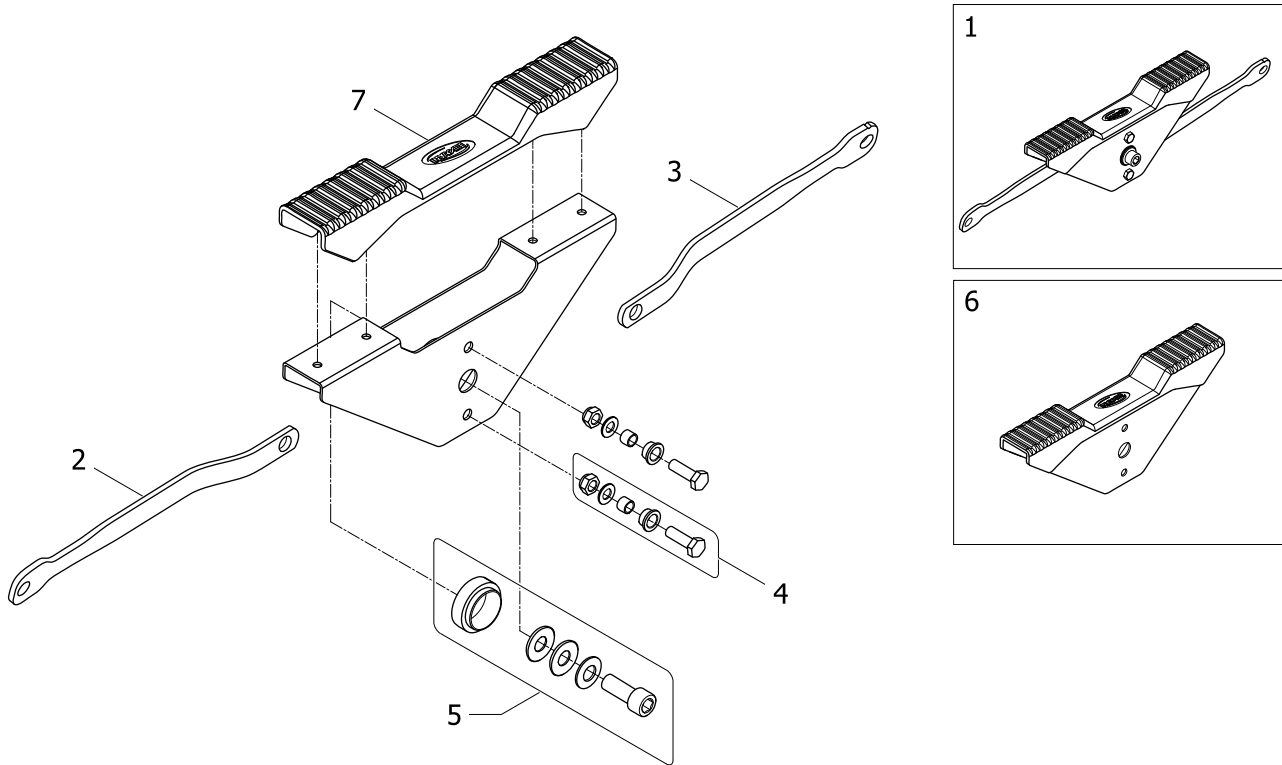
Leg assembly



ISPS1650733 ~ 1646819

| Pos. | Part number | Description | Valid from → until | Qty |
|------|-------------|---------------------------------------------|--------------------|-----|
| 1 | SP1650844 | Left leg for Birdie EVO and ISA PLUS | | 1 |
| 2 | SP1650845 | Right leg for Birdie EVO and ISA PLUS | | 1 |
| 3 | SP1650839 | Leg fixation kit: bushing, screw and washer | | 1 |

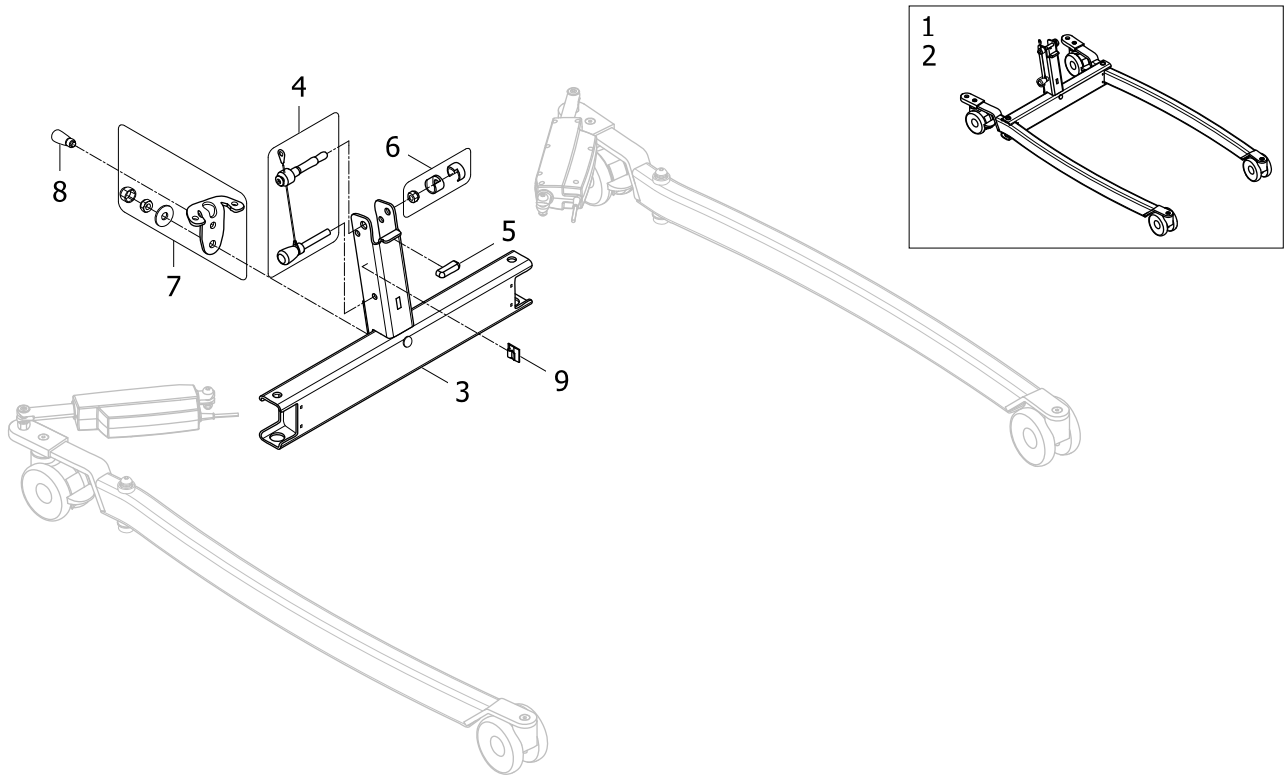
Pedal mechanism assembly



!SPS1650734 ~ 1645715

| Pos. | Part number | Description | Valid from → until | Qty |
|------|-------------|---------------------------------------------------|--------------------|-----|
| 1 | SP1645715 | Pedal mechanism fully assembled | | 1 |
| 2 | SP1645512 | Left connecting rod | | 1 |
| 3 | SP1645507 | Right connecting rod (with dent) | | 1 |
| 4 | SP1650840 | Fixation kit for connection between pedal and rod | | 1 |
| 5 | SP1650841 | Fixation kit for connection for pedal and base | | 1 |
| 6 | SP1650842 | Pedal kit (plate and cover) | | 1 |
| 7 | SP1645588 | Pedal cover | | 1 |

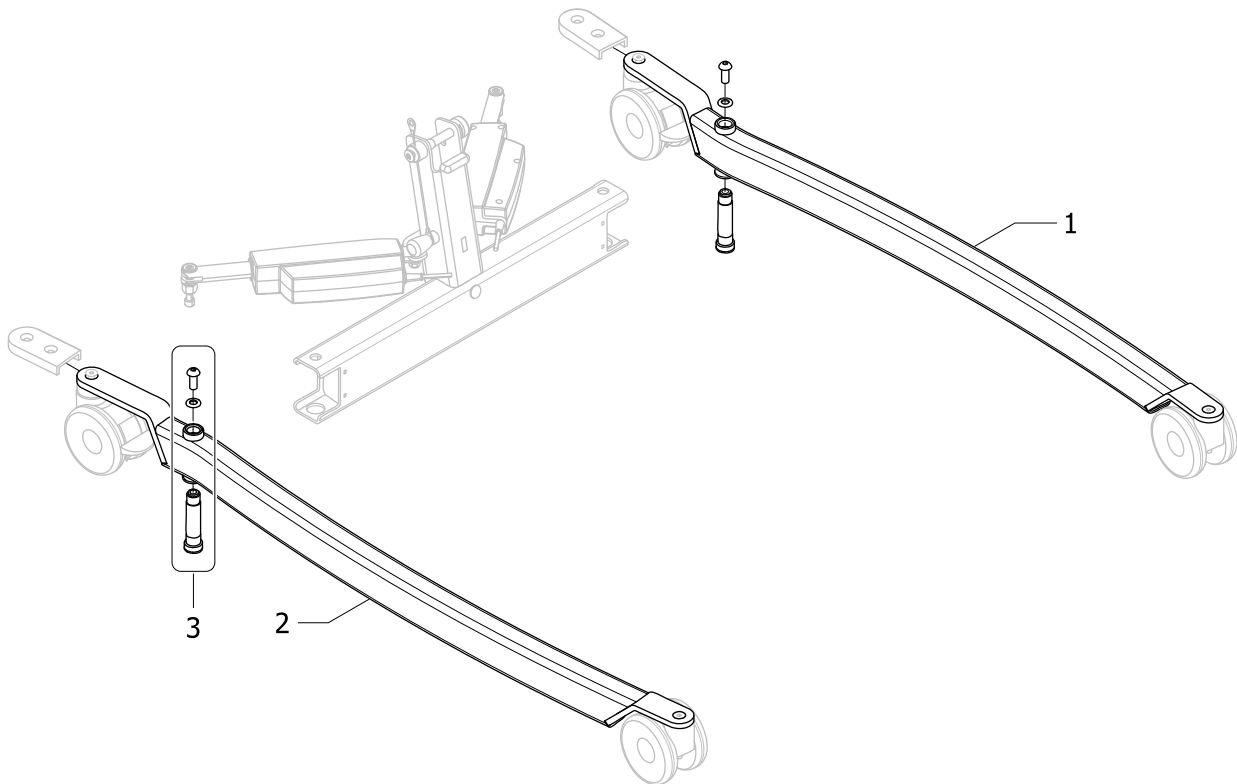
Base for Foldable Mast



ISP1650736 ~ 1646820

| Pos. | Part number | Description | Valid from → until | Qty |
|------|----------------|-----------------------------------------------------------------------|--------------------|-----|
| 1 | SP1646697 | Base and legs fully assembled for Birdie EVO elec. with 75mm castors | | 1 |
| 2 | SP1645820 | Base and legs fully assembled for Birdie EVO elec. with 100mm castors | | 1 |
| 3 | SP1645501 | Base for foldable mast for Birdie EVO | | 1 |
| 4 | SP1646694 | Handle kit for foldable mast | | 1 |
| 5 | SP1545308-7012 | Padded insert plastic | | 1 |
| 6 | SP1650834 | Plastic cover kit for foldable mast | | 1 |
| 7 | SP1651009 | Base plate fixation kit | | 1 |
| 8 | SP1651184 | Add-on for upright positioning | | 1 |
| 9 | SP1426680 | Cable clips 4,6x4,1 Qty.2 | | 1 |

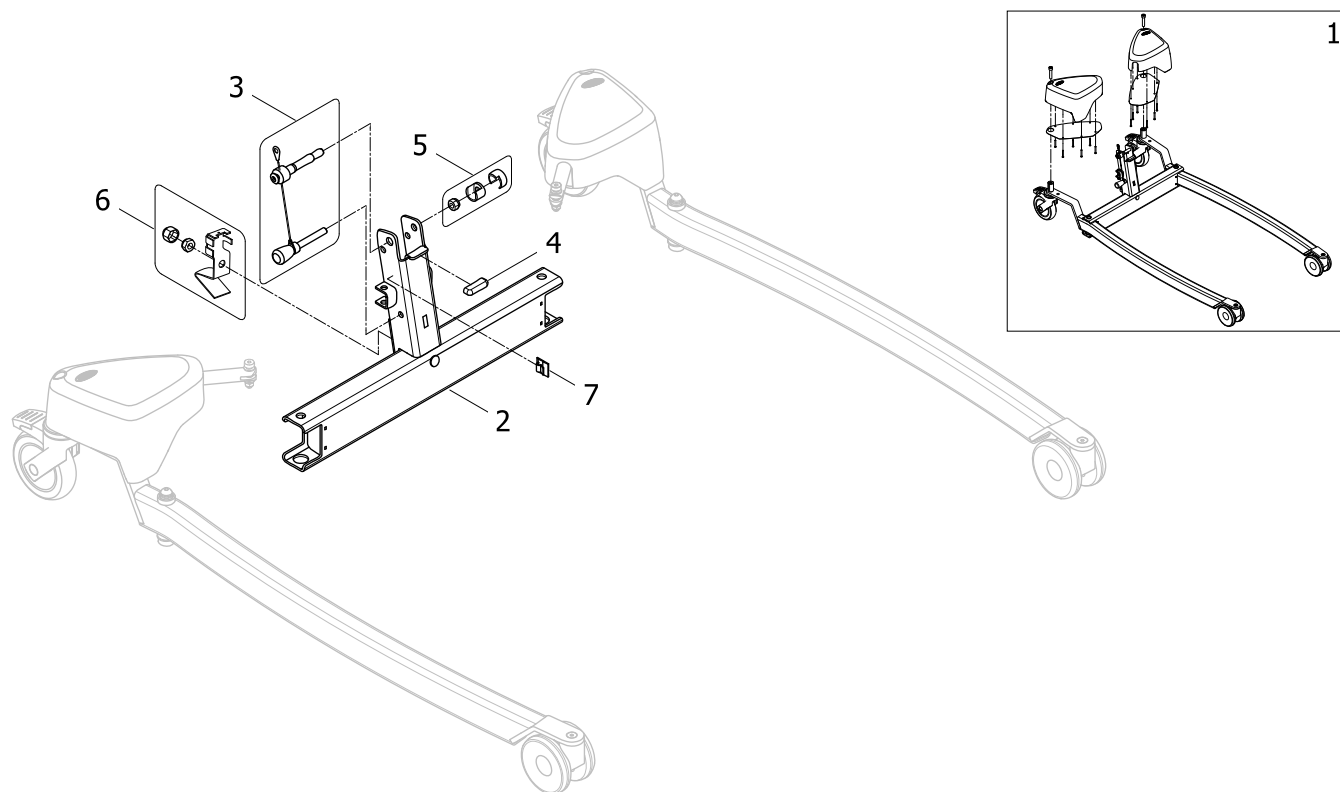
Leg assembly



ISPS1650819 ~ 1645820

| Pos. | Part number | Description | Valid from → until | Qty |
|------|-------------|---------------------------------------------|--------------------|-----|
| 1 | SP1650844 | Left leg for Birdie EVO and ISA PLUS | | 1 |
| 2 | SP1650845 | Right leg for Birdie EVO and ISA PLUS | | 1 |
| 3 | SP1650839 | Leg fixation kit: bushing, screw and washer | | 1 |

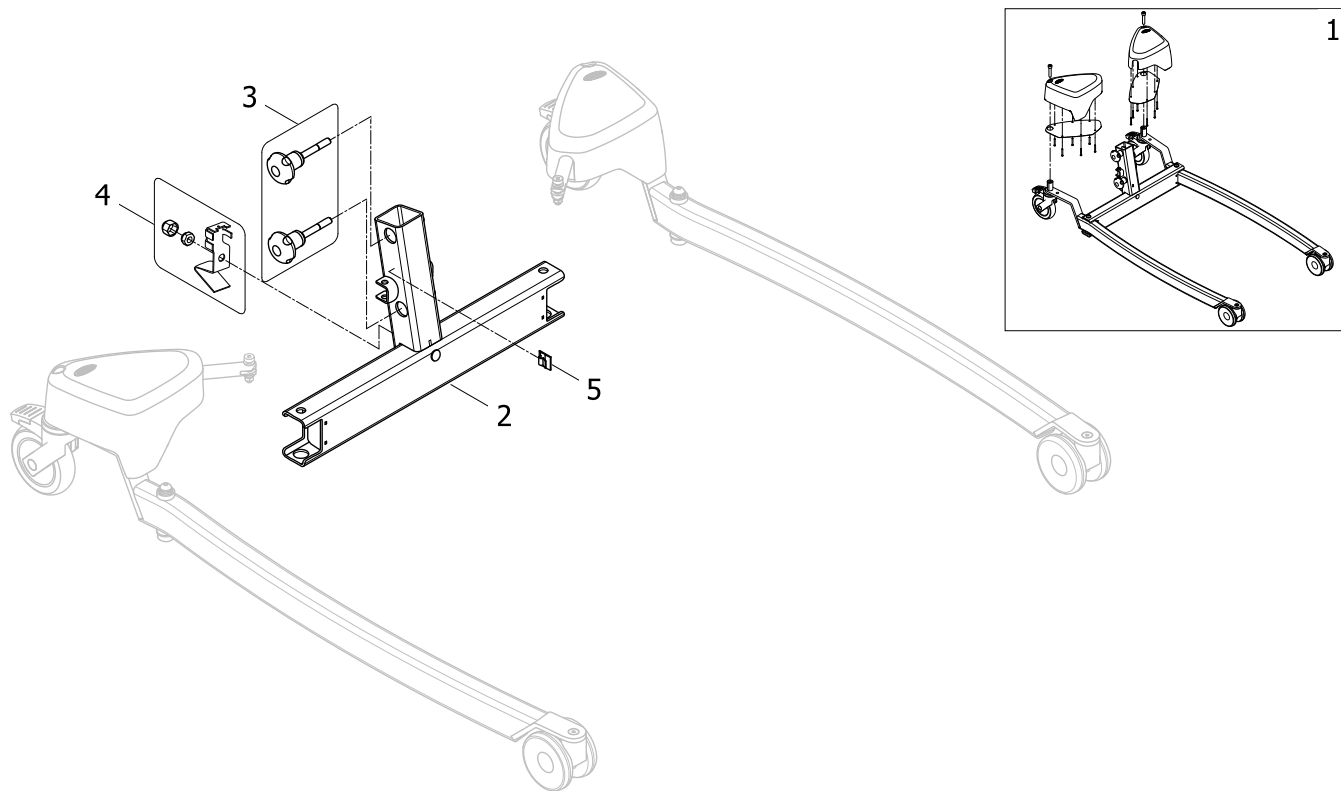
Base for Foldable Mast



ISP1650821 ~ 1645846

| Pos. | Part number | Description | Valid from → until | Qty |
|------|----------------|------------------------------------------------------|--------------------|-----|
| 1 | SP1645846 | Base and legs fully assembled, Birdie EVO PLUS/XPLUS | | 1 |
| 2 | SP1646788 | Base for foldable mast for Birdie EVO PLUS/XPLUS | | 1 |
| 3 | SP1646694 | Handle kit for foldable mast | | 1 |
| 4 | SP1545308-7012 | Padded insert plastic | | 1 |
| 5 | SP1650834 | Plastic cover kit for foldable mast | | 1 |
| 6 | SP1651198 | Base fixation kit | | 1 |
| 7 | SP1426680 | Cable clips 4,6x4,1 Qty.2 | | 1 |

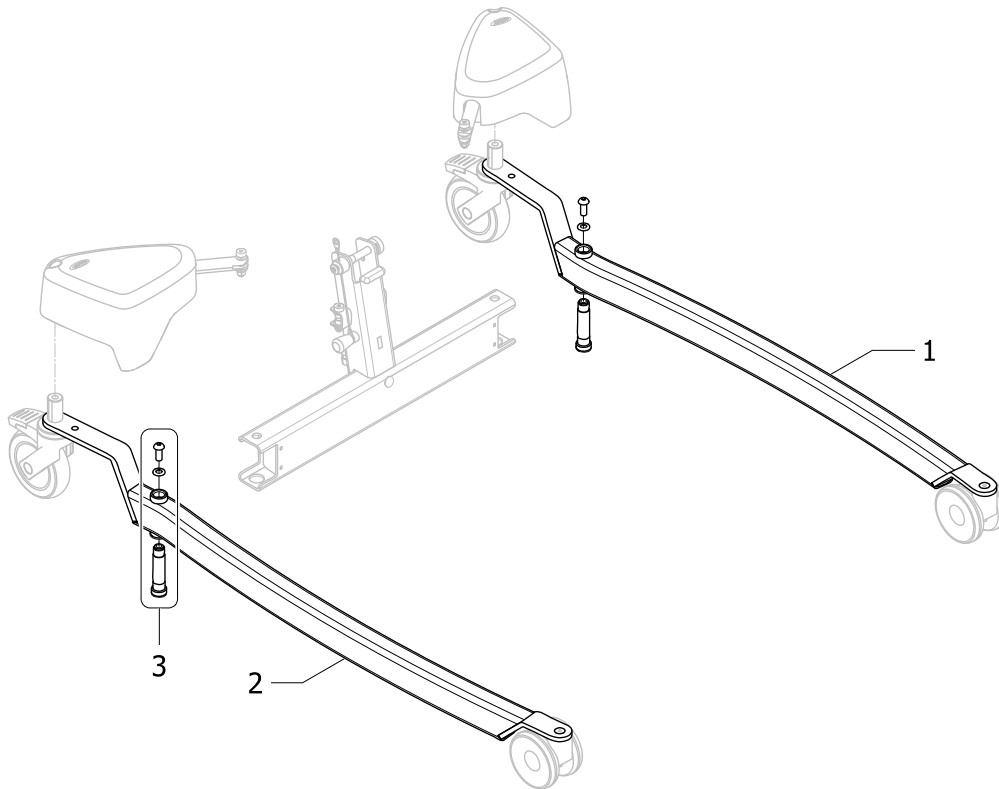
Base for Fixed Mast



ISP1650822 ~ 1646828

| Pos. | Part number | Description | Valid from → until | Qty |
|------|-------------|--------------------------------------------------------------------|--------------------|-----|
| 1 | SP1646828 | Base and legs fully assembled, Birdie EVO PLUS/XPLUS and ISA XPLUS | | 1 |
| 2 | SP1646829 | Base for fixed mast for Birdie EVO PLUS/XPLUS and ISA XPLUS | | 1 |
| 3 | SP1650836 | Knob fixation kit | | 1 |
| 4 | SP1651198 | Base fixation kit | | 1 |
| 5 | SP1426680 | Cable clips 4,6x4,1 Qty.2 | | 1 |

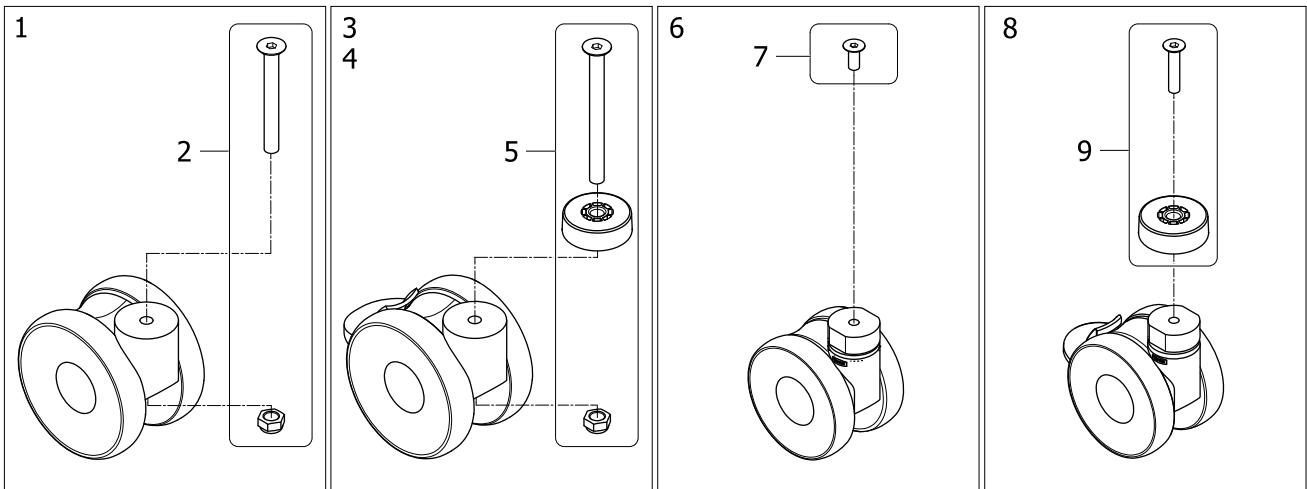
Leg assembly



ISPS1650823 ~ 1645846

| Pos. | Part number | Description | Valid from → until | Qty |
|------|-------------|---------------------------------------------------|--------------------|-----|
| 1 | SP1651199 | Left leg for Birdie EVO PLUS/XPLUS and ISA XPLUS | | 1 |
| 2 | SP1651200 | Right leg for Birdie EVO PLUS/XPLUS and ISA XPLUS | | 1 |
| 3 | SP1650839 | Leg fixation kit: bushing, screw and washer | | 1 |

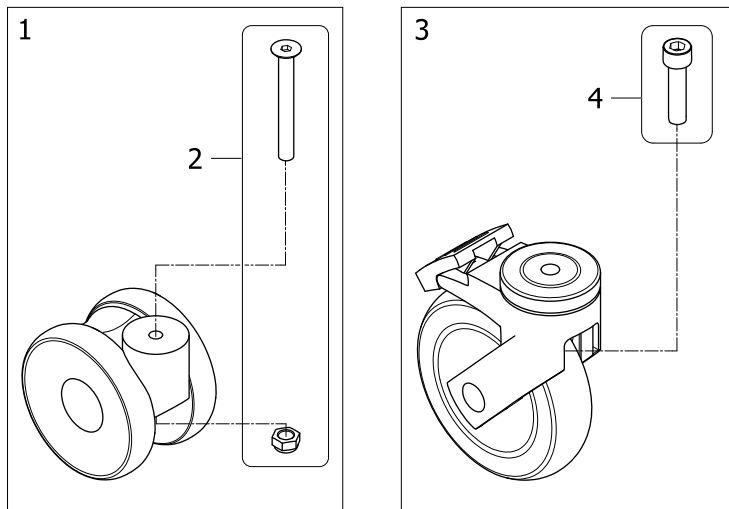
Birdie EVO COMPACT and Birdie EVO castors



ISPS1650824

| Pos. | Part number | Description | Valid from → until | Qty |
|------|-------------|------------------------------------------------------|--------------------|-----|
| 1 | SP1650846 | Front castor 100mm without brake, fixation included | | 1 |
| 2 | SP1650848 | Fixation kit for 100mm front castor | | 1 |
| 3 | SP1650847 | Rear castor 100mm with brake, fixation included | | 1 |
| 4 | SP1662755 | Rear castor 100mm with total lock, fixation included | | 1 |
| 5 | SP1650849 | Fixation kit for 100mm rear castor | | 1 |
| 6 | SP1650850 | Front castor 75mm without brake, fixation included | | 1 |
| 7 | SP1426737 | Screw M8x20 Qty.2 | | 1 |
| 8 | SP1650851 | Rear castor 75mm with brake, fixation included | | 1 |
| 9 | SP1650852 | Fixation kit for 75mm rear castor | | 1 |

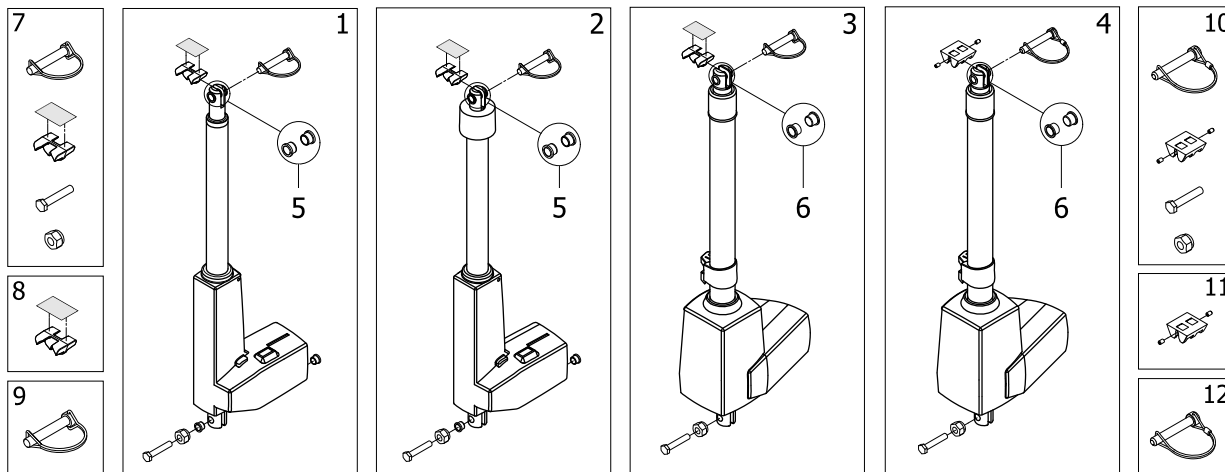
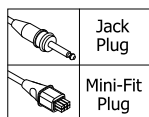
Birdie EVO PLUS/XPLUS castors



!SPS1650826

| Pos. | Part number | Description | Valid from → until | Qty |
|------|-------------|----------------------------------------------------------------------------------|--------------------|-----|
| 1 | SP1650846 | Front castor 100mm without brake, fixation included | | 1 |
| 2 | SP1650848 | Fixation kit for 100mm front castor | | 1 |
| 3 | SP1650853 | Rear castor 125mm with brake, fixation included <i>Includes screw and nut</i> | → 2019-06-24 | 1 |
| 3 | SP1660537 | Rear castor kit, 125mm with brake, fixation included | 2019-06-25 → | 1 |
| 4 | SP1650854 | Fixation kit for 125mm rear castor <i>Includes screw and nut</i> | → 2019-06-24 | 1 |
| 4 | SP1660538 | Screw for 125mm rear castor, Qty.2 | 2019-06-25 → | 1 |

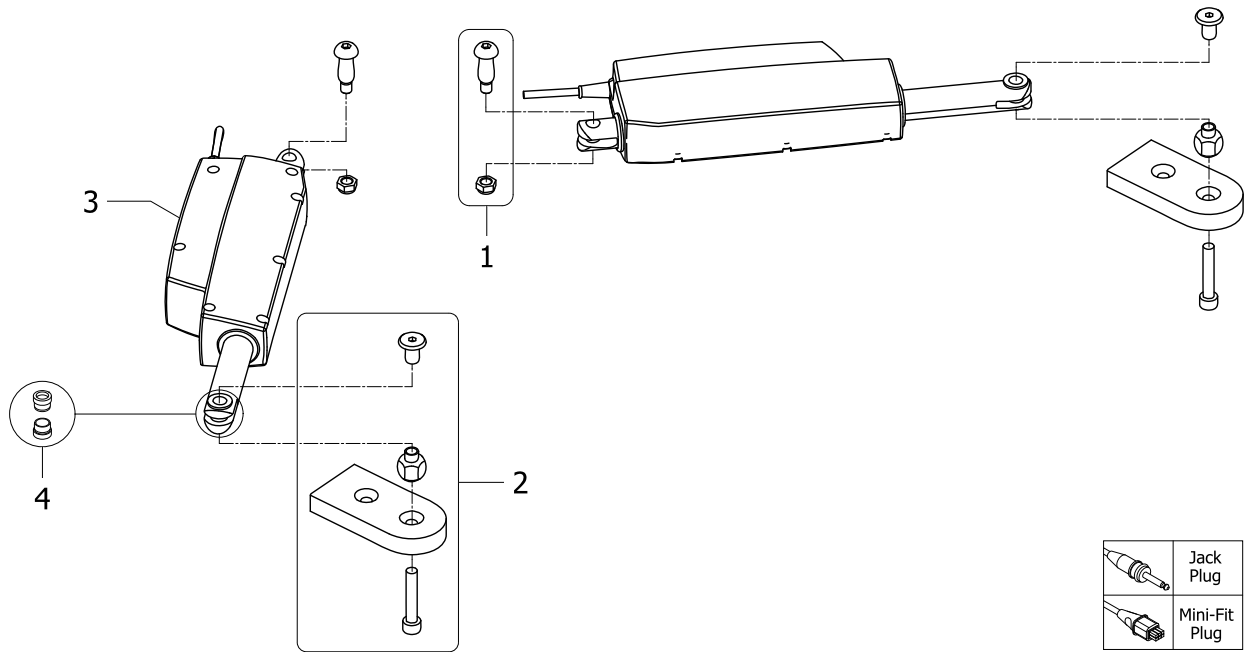
Actuator for Boom



ISPS1650827

| Pos. | Part number | Description | Valid from → until | Qty |
|------|-----------------|--------------------------------------------------------------------------------|--------------------|-----|
| 1 | SP1650856 | Kit actuator for Birdie EVO COMPACT LA31 HiLo Jack | | 1 |
| 1 | SP1650999 | Kit actuator for Birdie EVO COMPACT LA31 HiLo Mini-Fit | | 1 |
| 2 | SP1651001 | Kit actuator for Birdie EVO COMPACT with emergency lowering LA31 HiLo Jack | | 1 |
| 2 | SP1651002 | Kit actuator for Birdie EVO COMPACT with emergency lowering LA31 HiLo Mini-Fit | | 1 |
| 3 | SP1651003 | Kit actuator for Birdie EVO LA34 HiLo Jack Detachable battery/control unit | | 1 |
| 3 | SP1651539 | Kit actuator for Birdie EVO LA34 HiLo Mini-Fit Fixed battery/control unit | | 1 |
| 3 | SP1651005 | Kit actuator for Birdie EVO PLUS LA34 HiLo Jack | | 1 |
| 4 | SP1656587 | Kit actuator for Birdie EVO XPLUS LA34 HiLo Jack | | 1 |
| 5 | SP60121881-7035 | Plastic bushing for Linak LA31 actuator, Qty.2 | | 1 |
| 6 | SP60121882-7016 | Plastic bushing for Linak LA34 actuator, Qty.2 | | 1 |
| 7 | SP1650855 | Fixation kit for boom actuator, Birdie EVO/COMPACT/PLUS | | 1 |
| 8 | SP1645767 | Birdie EVO/COMPACT/PLUS anti-pinching plastic | | 1 |
| 9 | SP1627246 | Locking pin Ø10x50 Birdie EVO/COMPACT/PLUS | | 1 |
| 10 | SP1656589 | Fixation kit for boom actuator, Birdie EVO XPLUS | | 1 |
| 11 | SP1656588 | Birdie EVO XPLUS anti-pinching plastic | | 1 |
| 12 | SP1654289-0002 | Locking pin Birdie EVO XPLUS | | 1 |

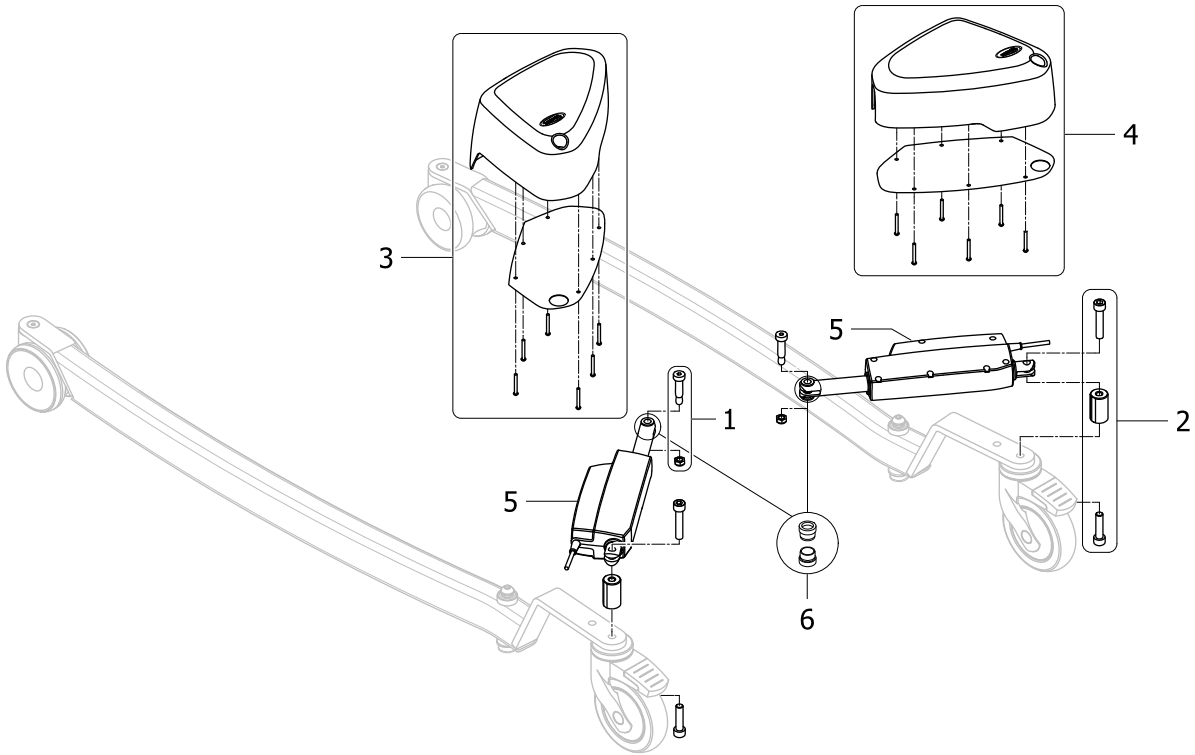
Actuator for elec. leg spread, Birdie EVO



!SP51650828 ~ 1645820

| Pos. | Part number | Description | Valid from → until | Qty |
|------|-----------------|-------------------------------------------------------|--------------------|-----|
| 1 | SP1651201 | Fixation kit for connection between Actuator and base | | 1 |
| 2 | SP1651202 | Fixation kit for connection between Actuator and leg | | 1 |
| 3 | SP1646691-9005 | Actuator LA12 Mini-Fit, pair | | 1 |
| 3 | SP1648547-9005 | Actuator LA12 Jack, pair | | 1 |
| 4 | SP60121879-9005 | Plastic bushing for Linak LA12 actuator, Qty.2 | | 1 |

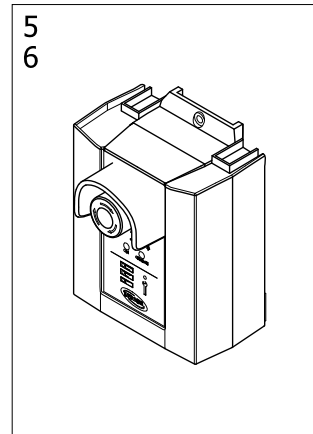
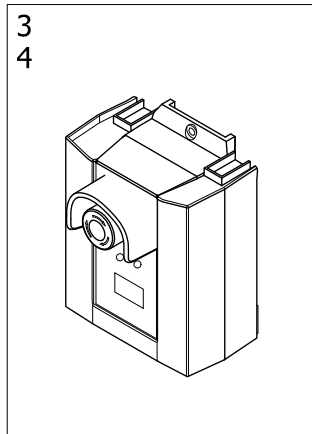
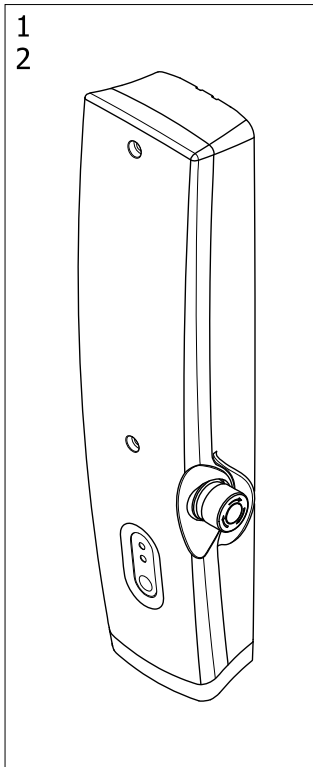
Actuator for elec. leg spread, Birdie EVO PLUS/XPLUS



ISPS:1650829 ~ 1645846

| Pos. | Part number | Description | Valid from → until | Qty |
|------|-----------------|-------------------------------------------------------|--------------------|-----|
| 1 | SP1651231 | Fixation kit for connection between Actuator and base | | 1 |
| 2 | SP1651232 | Fixation kit for connection between Actuator and leg | → 2019-06-24 | 1 |
| 3 | SP1660539 | Fixation kit for connection between Actuator and leg | 2019-06-25 → | 1 |
| 4 | SP1651233 | Left Cover Kit for leg spread Actuator | | 1 |
| 5 | SP1651234 | Right Cover Kit for leg spread Actuator | | 1 |
| 5 | SP1648539-9005 | Actuator LA12 Jack, pair | | 1 |
| 6 | SP60121879-9005 | Plastic bushing for Linak LA12 actuator, Qty.2 | | 1 |

Control units

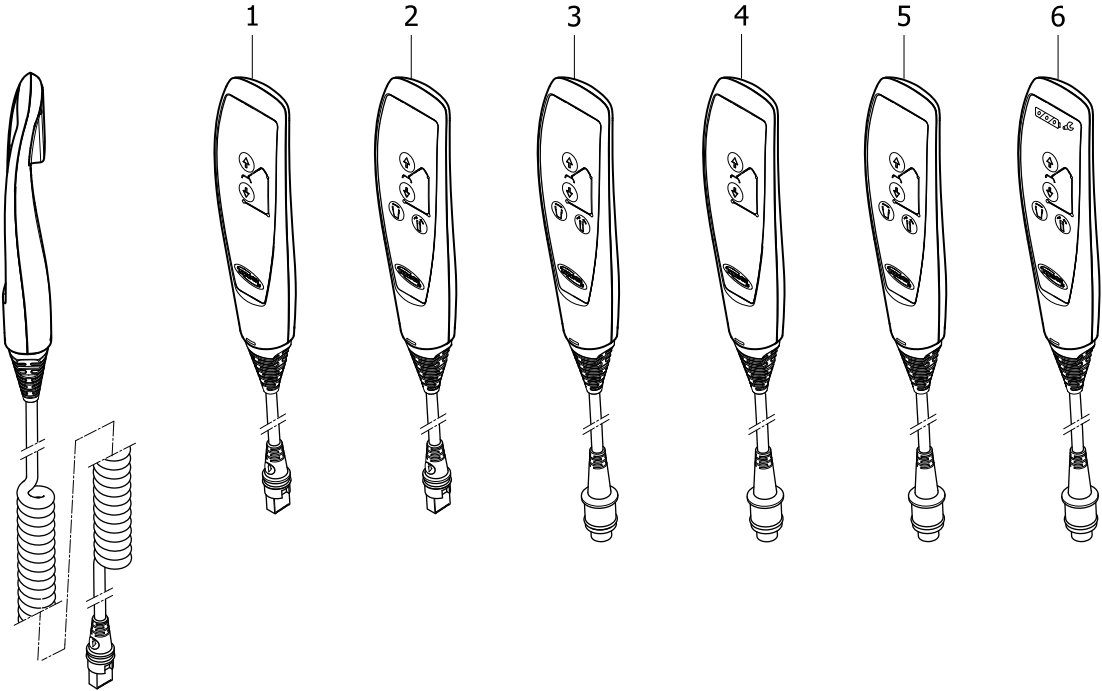


| Control unit | Part number | Birdie EVO version | Nr of channels | Hand control part number |
|--------------|------------------|-----------------------|----------------|--------------------------|
| CBJ-Home | 1 SP1575044-7035 | Birdie EVO COMPACT | 1 | SP1509617 |
| | 1 SP1575046-7035 | Birdie EVO | | |
| | 2 SP1575048-7035 | Birdie EVO | 2 | SP1509618 |
| CBJ2 | 3 SP1651006-7035 | Birdie EVO COMPACT | 1 | SP1574990 |
| | 3 SP1648546-7035 | Birdie EVO | | |
| CBJ1 | 4 SP1651004-7035 | Birdie EVO / EVO PLUS | 2 | SP1522195 |
| | 4 SP1656424-7035 | Birdie EVO XPLUS | | |
| CBJ-Care | 5 SP1574997-7035 | Birdie EVO | 1 | SP1574990 |
| | 6 SP1574998-7035 | Birdie EVO / EVO PLUS | 2 | SP1155872 / SP1177596 |
| | 6 SP1656425-7035 | Birdie EVO XPLUS | | SP1177596 |

1SPS1.650830

| Pos. | Part number | Description | Valid from → until | Qty |
|------|----------------|-------------------------------------------------------|--------------------|-----|
| 1 | SP1575044-7035 | Control unit 1 Channel CBJ-Home manual leg 150Kg | | 1 |
| 1 | SP1575046-7035 | Control unit 1 Channel CBJ-Home manual leg 180Kg | | 1 |
| 2 | SP1575048-7035 | Control unit 2 Channel CBJ-Home electrical leg 180Kg | | 1 |
| 3 | SP1651006-7035 | Control unit CBJ2 manual leg spread 150Kg | | 1 |
| 3 | SP1648546-7035 | Control unit CBJ2 manual leg spread 180Kg | | 1 |
| 4 | SP1651004-7035 | Control unit CBJ1 electrical leg spread 180Kg | | 1 |
| 4 | SP1656424-7035 | Control unit CBJ1 electrical leg spread 210Kg | | 1 |
| 5 | SP1574997-7035 | Control unit 1 Channel CBJ-Care manual leg 180Kg | | 1 |
| 6 | SP1574998-7035 | Control unit 2 Channels CBJ-Care electrical leg 180Kg | | 1 |
| 6 | SP1656425-7035 | Control unit 2 Channels CBJ-Care electrical leg 210Kg | | 1 |

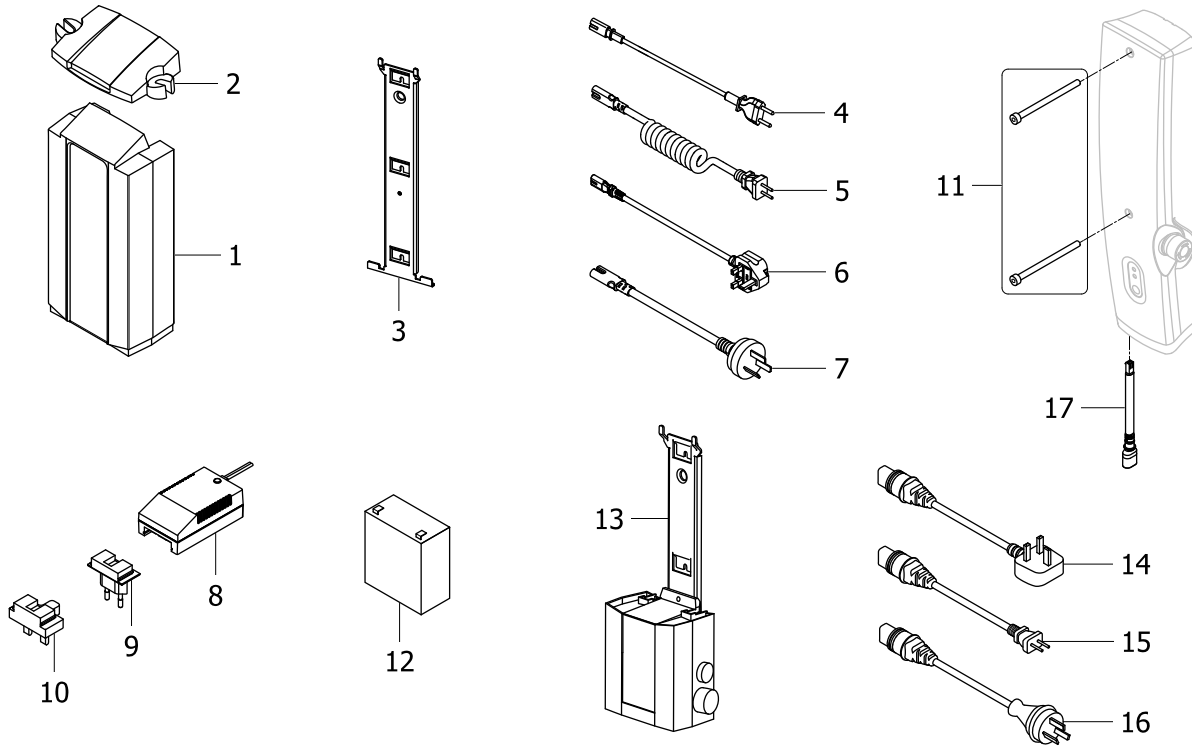
Hand controls



ISPS1650831

| Pos. | Part number | Description | Valid from → until | Qty |
|------|-------------|-----------------------------------------------------------------------------------------------------------|--------------------|-----|
| 1 | SP1509617 | Hand ctrl. Up/down button, Fixed batt, Birdie Compact, EVO & EVO COMPACT, ISA COMPACT, STANDARD & PLUS | | 1 |
| 2 | SP1509618 | Hand ctrl. Up/down & Leg buttons, Fixed batt, Birdie & Birdie EVO, ISA STANDARD & PLUS | | 1 |
| 3 | SP1522195 | Hand ctrl. Up/down & Leg buttons, Detach batt, Birdie/EVO/PLUS/XPLUS, ISA STANDARD, PLUS & XPLUS | | 1 |
| 4 | SP1574990 | Hand ctrl. Up/down button, Detach batt, Birdie Compact, EVO & EVO COMPACT, ISA COMPACT, STANDARD & PLUS | | 1 |
| 5 | SP1155872 | Hand ctrl. Up/down & Leg buttons, Detach batt, Birdie & Birdie EVO, ISA PLUS & XPLUS | | 1 |
| 6 | SP60121104 | Hand ctrl. Up/down & Leg buttons w/ magnet & Battery indicator, Birdie EVO PLUS & XPLUS, ISA PLUS & XPLUS | | 1 |

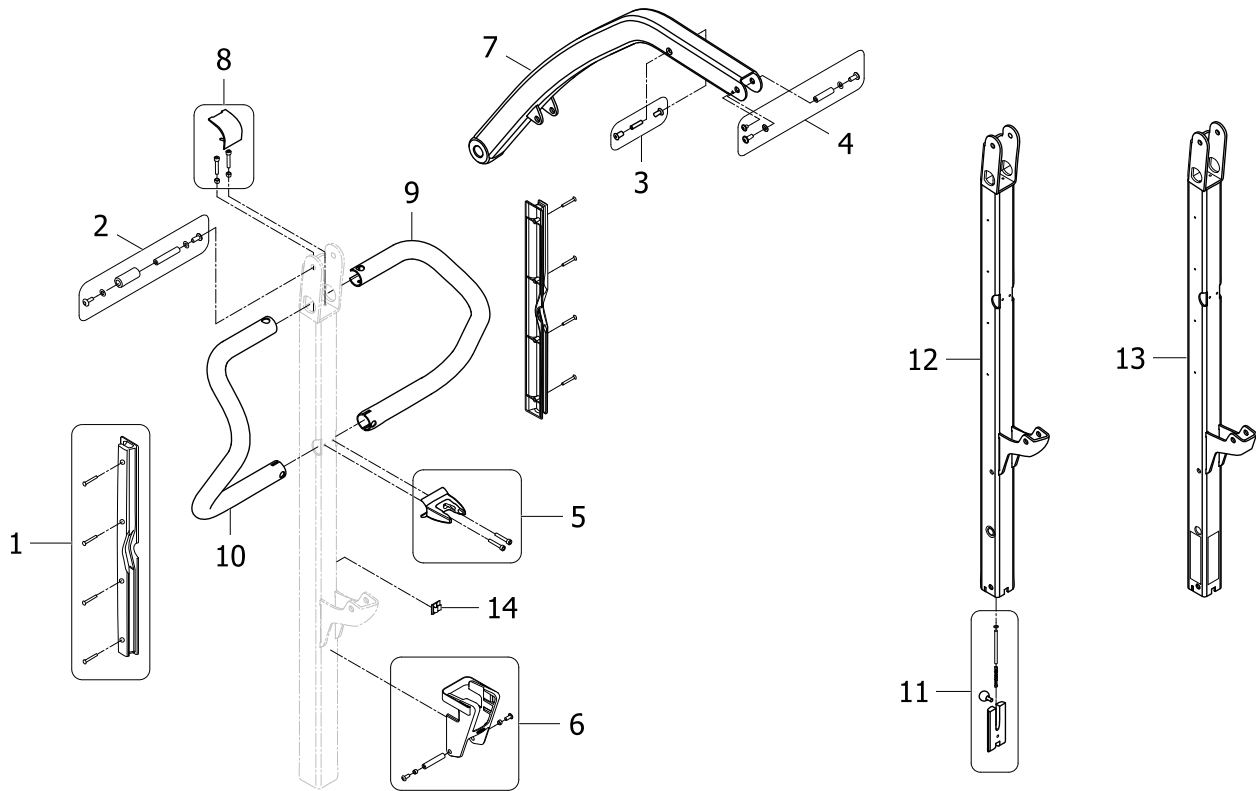
Electrical Accessories & Hardware



ISPS1650032

| Pos. | Part number | Description | Valid from → until | Qty |
|------|-----------------|------------------------------------------------------------------------------------------------|--------------------|-----|
| 1 | SP1514573-7035 | Battery for CBJ control units | | 1 |
| 1 | SP60123346-7035 | Lithium Battery for CBJ control units | | 1 |
| 2 | SP1523789-7035 | Cover for battery | | 1 |
| 3 | SP1514574-0002 | Bracket for CBJ1, CBJ2 or CBJ-Home control units | | 1 |
| 4 | SP1511583-7035 | Mains cable, EU plug | | 1 |
| 5 | SP1155873 | Cord EU electric only (for Controller) | | 1 |
| 6 | SP1511686-7035 | Mains Cable, UK plug | | 1 |
| 7 | SP1530000-7035 | Mains cable, ANZ plug | | 1 |
| 8 | SP1514576-9005 | Charger CH01, Birdie/Compact / EVO & EVO COMPACT (1 pc per hoist) please, order the adaptor | | 1 |
| 9 | SP1514613-9005 | EU plug adaptor for charger | | 1 |
| 10 | SP1533127-9005 | UK plug adaptor for charger | | 1 |
| 11 | SP1509740 | Screws for CBJ-Home | | 1 |
| 12 | SP1420622 | Battery 2,9 Ah (1 pcs) | | 1 |
| 13 | SP1651491 | Wall charger Kit for detachable battery | | 1 |
| 14 | SP1079134 | Wall Charger Mains Cable, UK | | 1 |
| 15 | SP1079135 | Cord EU electric only (for Charger) | | 1 |
| 16 | SP1417620 | Wall Charger Main Cable, ANZ | | 1 |
| 17 | SP60110685 | Internal charger socket for CBJ Home | | 1 |

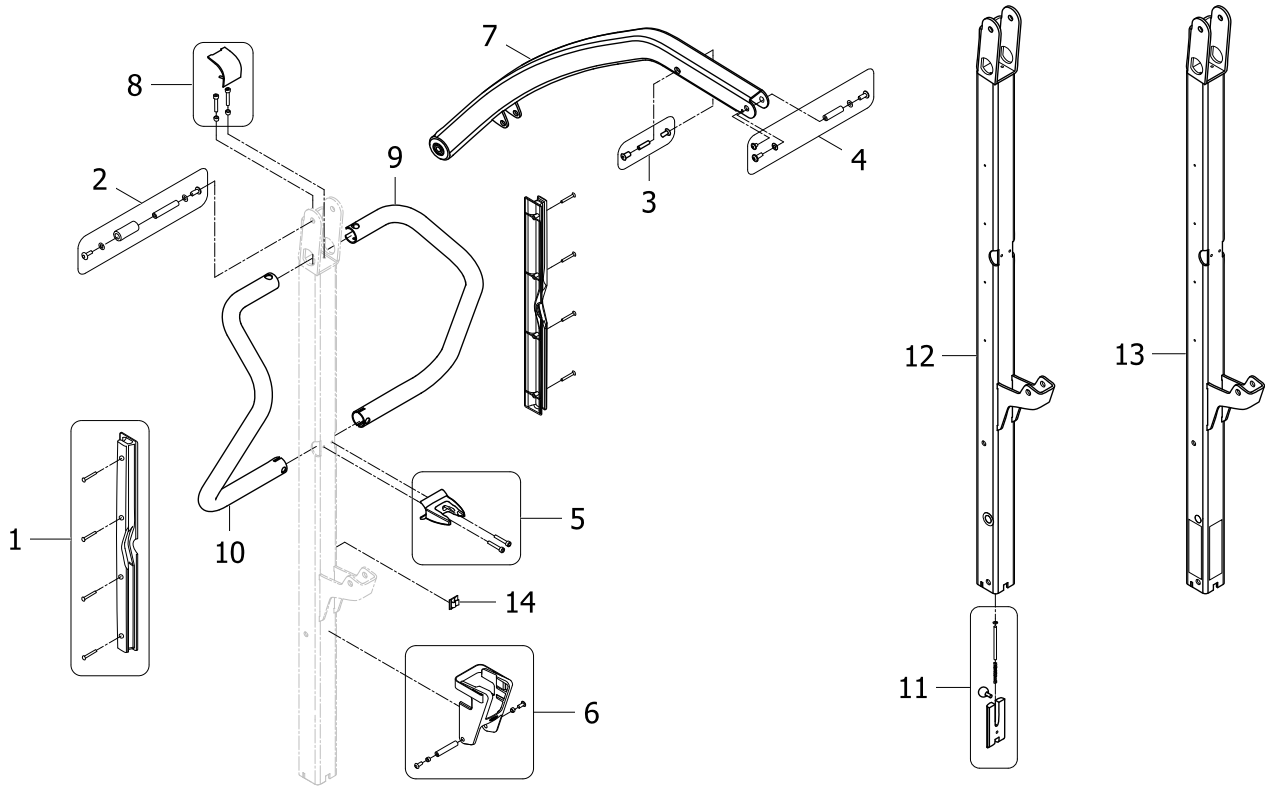
Birdie EVO COMPACT, Mast and Boom, Foldable or Fixed



ISPS1651242 ~ 1655812

| Pos. | Part number | Description | Valid from → until | Qty |
|------|-------------|--------------------------------------------|--------------------|-----|
| 1 | SP1651253 | Cable Cover kit | | 1 |
| 2 | SP1651254 | Mast/Boom Articulation Kit | | 1 |
| 3 | SP1651255 | Damper fixation kit | | 1 |
| 4 | SP1651256 | Spreaderbar Articulation kit | | 1 |
| 5 | SP1656591 | Actuator Holder kit for Birdie EVO COMPACT | | 1 |
| 6 | SP1651258 | Spreaderbar Holder kit | | 1 |
| 7 | SP1651328 | Boom for Birdie EVO COMPACT | | 1 |
| 8 | SP1651270 | Push bar fixation kit | | 1 |
| 9 | SP1651329 | Left Push bar, Birdie EVO COMPACT | | 1 |
| 10 | SP1651330 | Right Push bar, Birdie EVO COMPACT | | 1 |
| 11 | SP1651273 | Locking kit for foldable Mast | | 1 |
| 12 | SP1651331 | Foldable Mast for Birdie EVO COMPACT | | 1 |
| 13 | SP1651332 | Fixed Mast for Birdie EVO COMPACT | | 1 |
| 14 | SP1426680 | Cable clips 4,6x4,1 Qty.2 | | 1 |

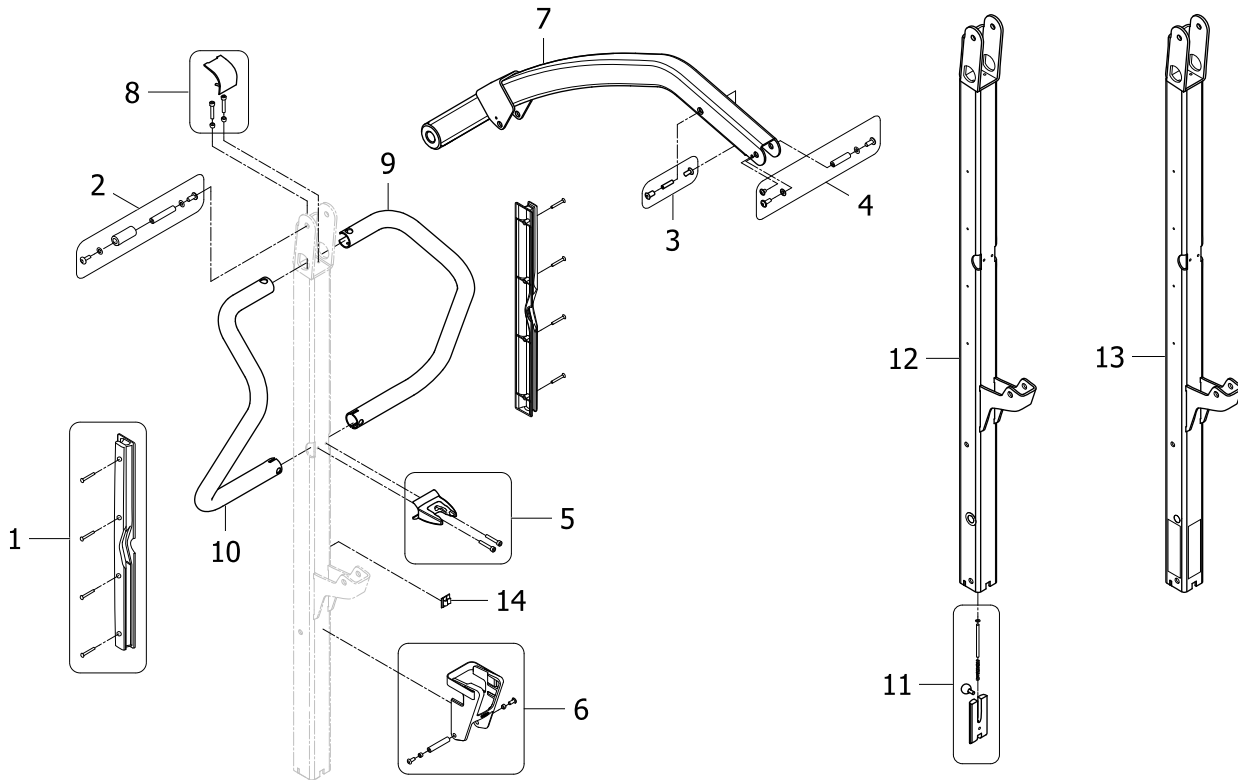
Birdie EVO and EVO PLUS, Mast and Boom, Foldable or Fixed



ISPSI.651243 ~ 1645716

| Pos. | Part number | Description | Valid from → until | Qty |
|------|-------------|-----------------------------------------------|--------------------|-----|
| 1 | SP1651253 | Cable Cover kit | | 1 |
| 2 | SP1651254 | Mast/Boom Articulation Kit | | 1 |
| 3 | SP1651255 | Damper fixation kit | | 1 |
| 4 | SP1651256 | Spreaderbar Articulation kit | | 1 |
| 5 | SP1651257 | Actuator Holder kit for Birdie EVO/PLUS/XPLUS | | 1 |
| 6 | SP1651258 | Spreaderbar Holder kit | | 1 |
| 7 | SP1651259 | Birdie EVO Boom | | 1 |
| 8 | SP1651270 | Push bar fixation kit | | 1 |
| 9 | SP1651271 | Left Push bar | | 1 |
| 10 | SP1651272 | Right Push bar | | 1 |
| 11 | SP1651273 | Locking kit for foldable Mast | | 1 |
| 12 | SP1651312 | Foldable Mast for Birdie EVO/PLUS/XPLUS | | 1 |
| 13 | SP1651313 | Fixed Mast for Birdie EVO/PLUS/XPLUS | | 1 |
| 14 | SP1426680 | Cable clips 4,6x4,1 Qty.2 | | 1 |

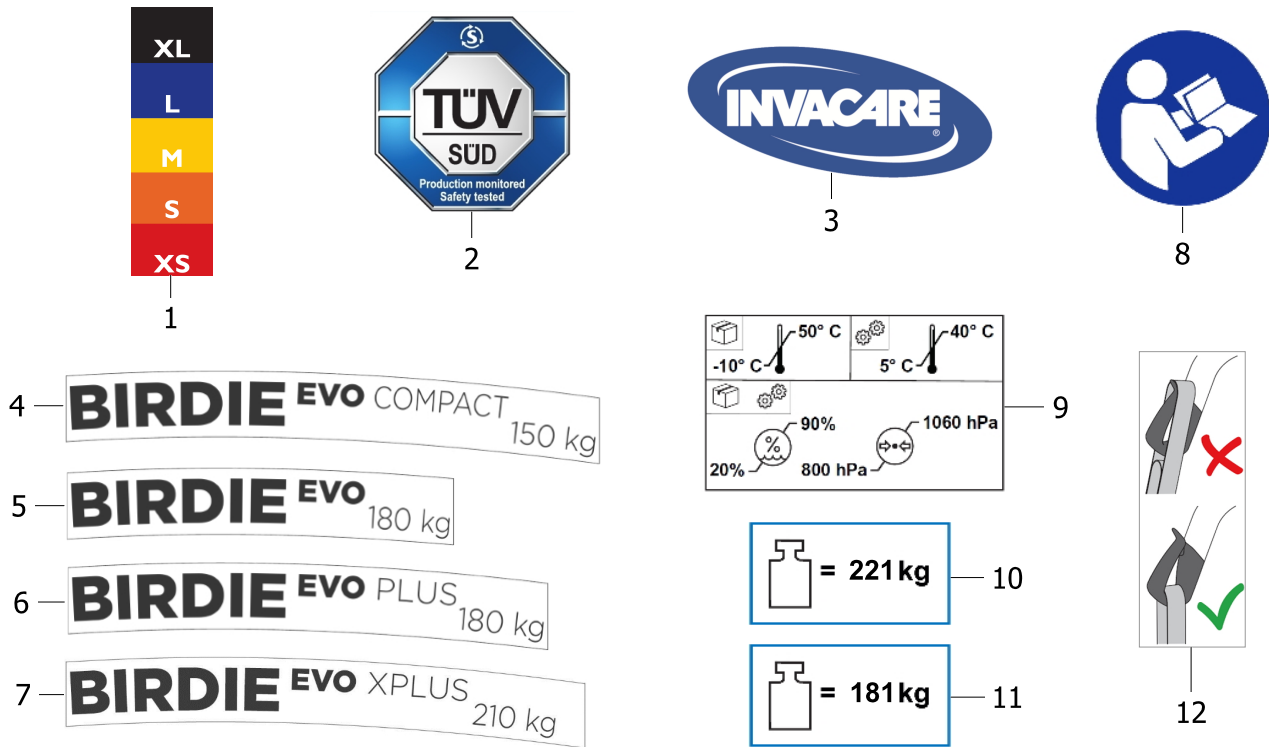
Birdie EVO XPLUS, Mast and Boom, Foldable or Fixed



ISPS1656412

| Pos. | Part number | Description | Valid from → until | Qty |
|------|-------------|-----------------------------------------------|--------------------|-----|
| 1 | SP1651253 | Cable Cover kit | | 1 |
| 2 | SP1651254 | Mast/Boom Articulation Kit | | 1 |
| 3 | SP1651255 | Damper fixation kit | | 1 |
| 4 | SP1651256 | Spreaderbar Articulation kit | | 1 |
| 5 | SP1651257 | Actuator Holder kit for Birdie EVO/PLUS/XPLUS | | 1 |
| 6 | SP1651258 | Spreaderbar Holder kit | | 1 |
| 7 | SP1656427 | Boom for Birdie EVO XPLUS | | 1 |
| 8 | SP1651270 | Push bar fixation kit | | 1 |
| 9 | SP1651271 | Left Push bar | | 1 |
| 10 | SP1651272 | Right Push bar | | 1 |
| 11 | SP1651273 | Locking kit for foldable Mast | | 1 |
| 12 | SP1651312 | Foldable Mast for Birdie EVO/PLUS/XPLUS | | 1 |
| 13 | SP1651313 | Fixed Mast for Birdie EVO/PLUS/XPLUS | | 1 |
| 14 | SP1426680 | Cable clips 4,6x4,1 Qty.2 | | 1 |

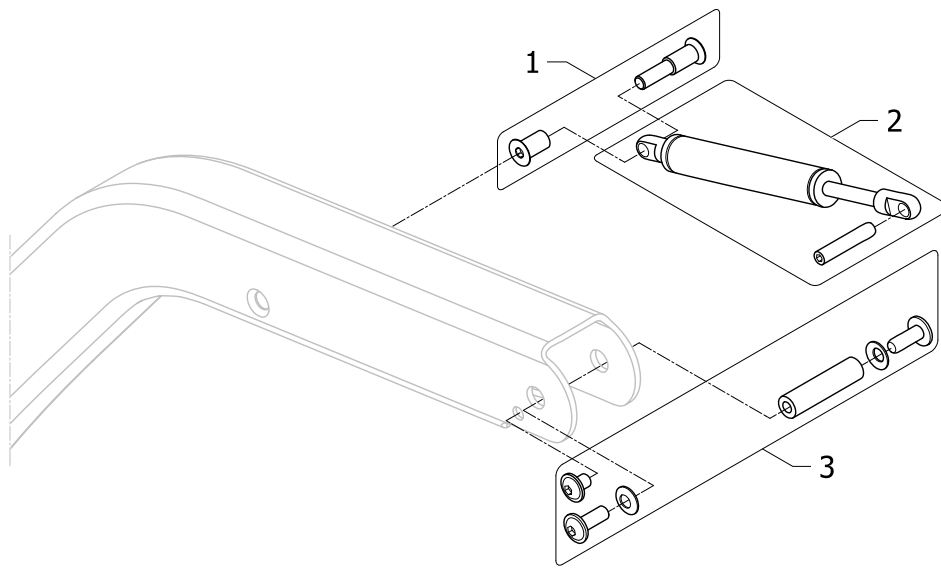
Labelling, Birdie EVO



ISPS1651252

| Pos. | Part number | Description | Valid from → until | Qty |
|------|-------------|-----------------------------------------|--------------------|-----|
| 1 | SP1511359 | Label with sling sizes | | 1 |
| 2 | SP1514228 | Label TUV Certification | | 1 |
| 3 | SP417547 | Label Invacare Logo | | 1 |
| 4 | SP1646411 | Label Birdie EVO COMPACT 150kg Qty.2 | | 1 |
| 5 | SP1646410 | Label Birdie EVO 180kg Qty.2 | | 1 |
| 6 | SP1646774 | Label Birdie EVO PLUS 180kg Qty.2 | | 1 |
| 7 | SP1654338 | Label Birdie EVO XPLUS 210kg Qty.2 | | 1 |
| 8 | SP1582519 | Label Read User Manual Qty.2 | | 1 |
| 9 | SP1651797 | Label Environmental Conditions, Qty.2 | | 1 |
| 10 | SP1651761 | Weight label Birdie EVO/EVO Plus, Qty.2 | | 1 |
| 11 | SP1651762 | Weight label Birdie EVO Compact, Qty.2 | | 1 |
| 12 | SP60124133 | Sling Label Attachment, Qty.2 | | 1 |

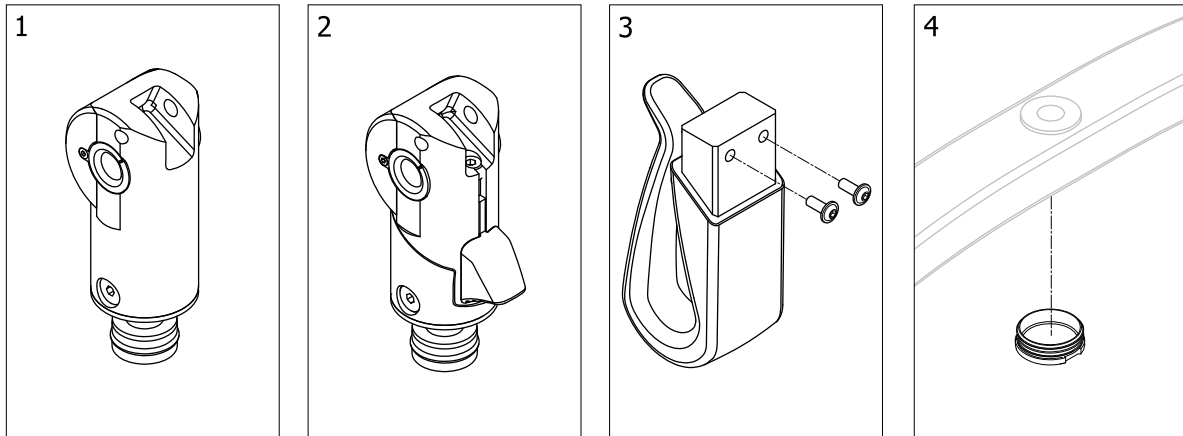
Invacare® Birdie EVO|Mast and Boom
Spreader Bar Damper Slow'R



ISPS1651338

| Pos. | Part number | Description | Valid from → until | Qty |
|------|-------------|------------------------------|--------------------|-----|
| 1 | SP1651255 | Damper fixation kit | | 1 |
| 2 | SP1646419 | Damper Slow'R, Kit | | 1 |
| 3 | SP1651256 | Spreaderbar Articulation kit | | 1 |

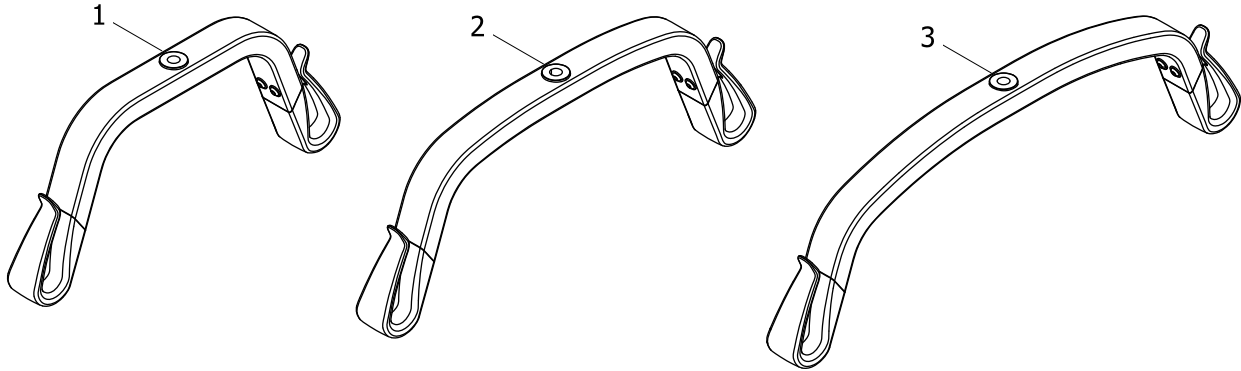
Spreader bar Hardware



ISPS1651335

| Pos. | Part number | Description | Valid from → until | Qty |
|------|-------------|--------------------------------------------------------|--------------------|-----|
| 1 | SP1645769 | Connection kit for fixed spreader bar | | 1 |
| 2 | SP1645728 | Connection kit for detachable spreader bar (SMARTLOCK) | | 1 |
| 3 | SP1645828 | Spreader bar hook kit | | 1 |
| 4 | SP1645734 | Spreader bar plastic cap | | 1 |

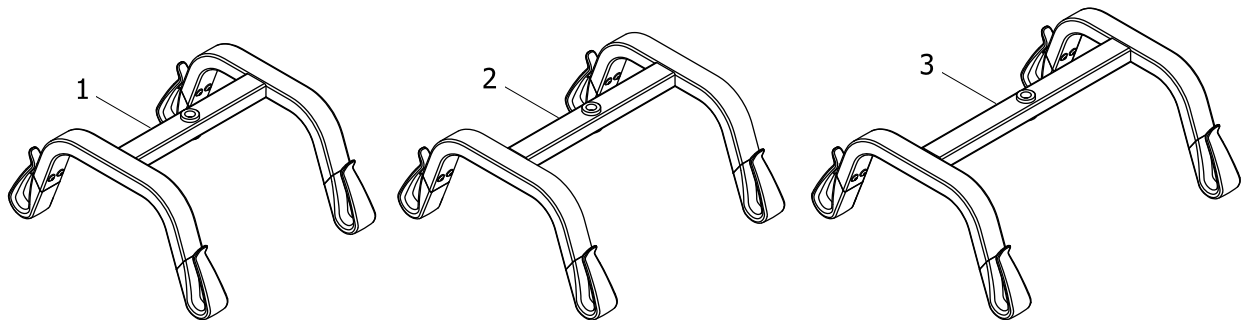
Spreader bar 2 points (350/450/550 mm)



!SPS1651336

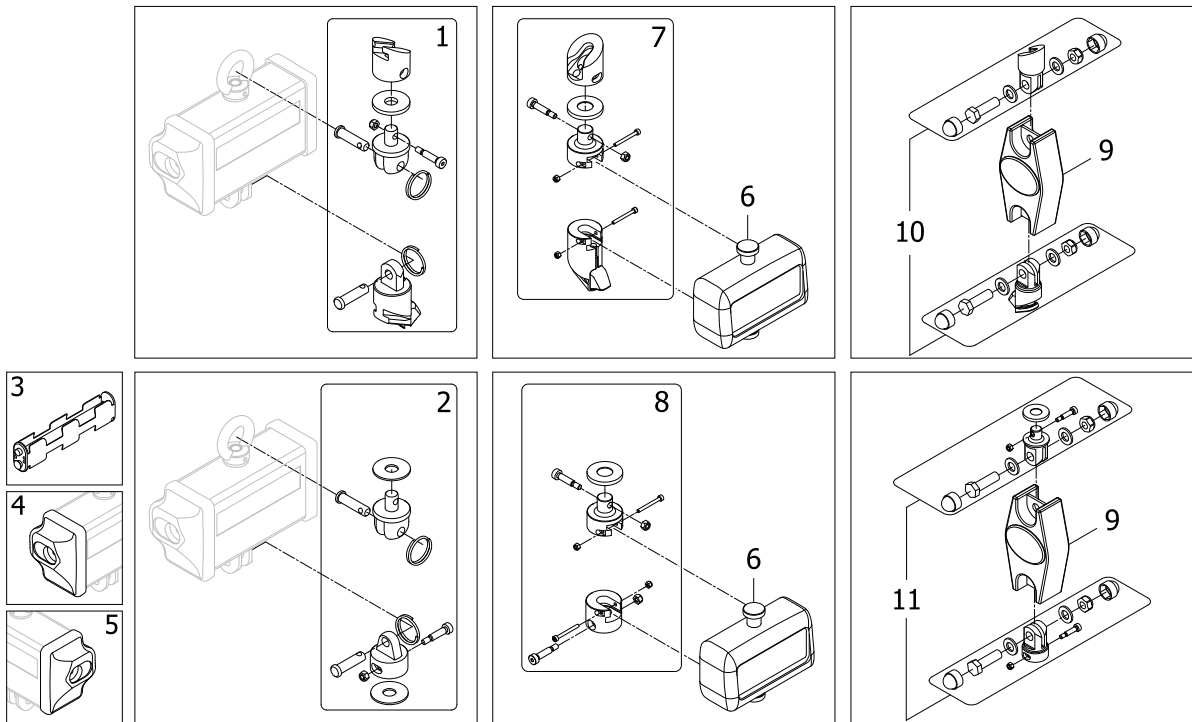
| Pos. | Part number | Description | Valid from → until | Qty |
|------|-------------|-------------------------------------------|--------------------|-----|
| 1 | SP1645731 | Spreader bar 2pts 350 mm without fixation | | 1 |
| 2 | SP1645742 | Spreader bar 2pts 450 mm without fixation | | 1 |
| 3 | SP1645744 | Spreader bar 2pts 550 mm without fixation | | 1 |

Spreader bar 4 points (450/500/550 mm)



ISPS1651337

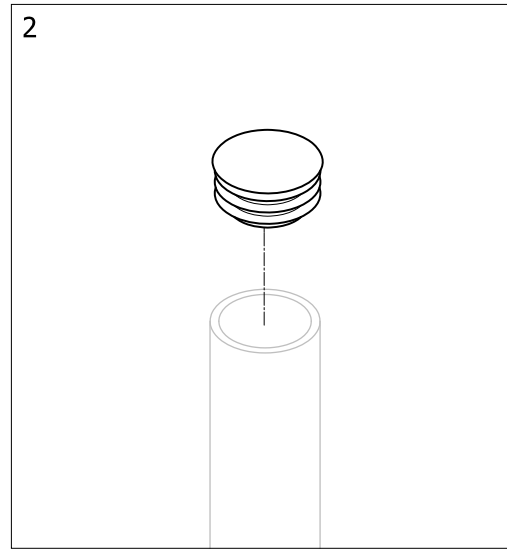
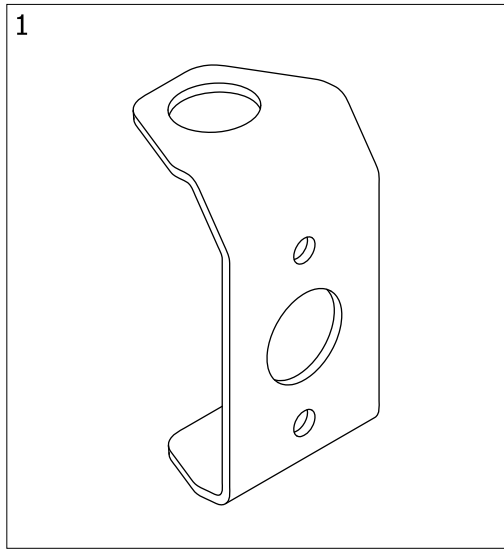
| Pos. | Part number | Description | Valid from → until | Qty |
|------|-------------|-------------------------------------------|--------------------|-----|
| 1 | SP1645747 | Spreader bar 4pts 450 mm without fixation | | 1 |
| 2 | SP60122060 | Spreader bar 4pts 500 mm without fixation | | 1 |
| 3 | SP1645753 | Spreader bar 4pts 550 mm without fixation | | 1 |



!SP51651369

| Pos. | Part number | Description | Valid from → until | Qty |
|------|-------------|-----------------------------------------------------|--------------------|-----|
| 1 | SP1651537 | Scale attachment kit for SMARTLOCK mechanism, HBM | → 2019-02-10 | 1 |
| 2 | SP1651538 | Scale attachment kit for Fixed mechanism, HBM | → 2019-02-10 | 1 |
| 3 | SP1641530 | Scale Battery holder | → 2019-02-10 | 1 |
| 4 | SP1557840 | Scale End Cap Left | → 2019-02-10 | 1 |
| 5 | SP1557839 | Scale End Cap Right | → 2019-02-10 | 1 |
| 6 | SP1656422 | Scale RS300 Homecare | 2019-02-11 → | 1 |
| 6 | SP1656423 | Scale RS300 Medical | 2019-02-11 → | 1 |
| 7 | SP1656415 | Scale attachment kit for SMARTLOCK mechanism, RS300 | 2019-02-11 → | 1 |
| 8 | SP1645835 | Scale attachment kit for Fixed mechanism, RS300 | 2019-02-11 → | 1 |
| 9 | SP1660547 | Scale Basic CR200 | | 1 |
| 10 | SP1660545 | Scale attachment kit for SMARTLOCK mechanism, CR200 | | 1 |
| 11 | SP1660546 | Scale attachment kit for Fixed mechanism, CR200 | | 1 |

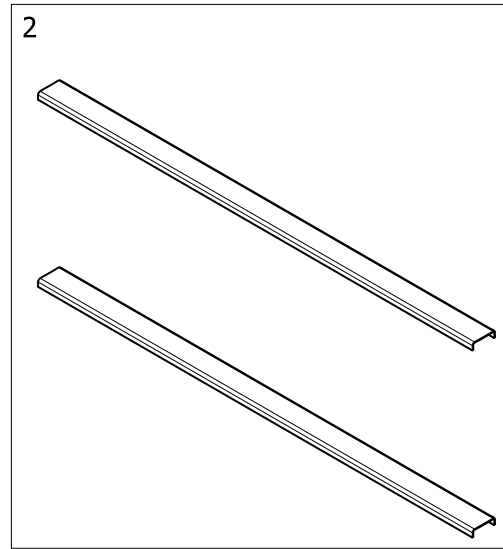
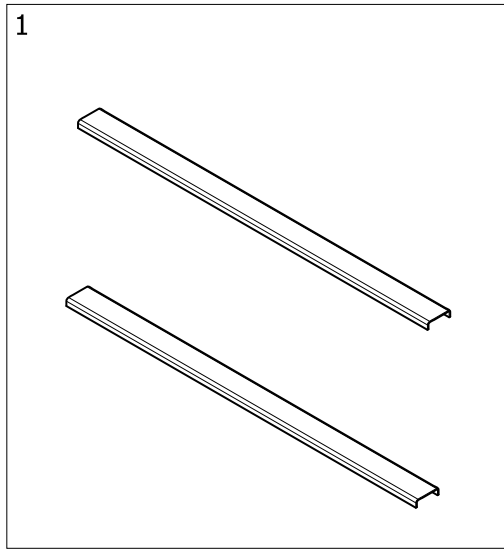
Lever



!SPS1651339

| Pos. | Part number | Description | Valid from → until | Qty |
|------|-------------|-------------------------------------|--------------------|-----|
| 1 | SP1645498 | Fixation plate for leg spread lever | | 1 |
| 2 | SP1449580 | Plastic plug for leg spread lever | | 1 |

Leg Protection



!SPS1651356

| Pos. | Part number | Description | Valid from → until | Qty |
|------|-------------|-------------------------------------------------------------------|--------------------|-----|
| 1 | SP1648554 | Leg Protection for Birdie EVO COMPACT & ISA STANDARD, Qty.2 | | 1 |
| 2 | SP1648551 | Leg protection for Birdie EVO & EVO PLUS, ISA PLUS & XPLUS, Qty.2 | | 1 |



Yes, you can.®



Belgium & Luxemburg:

Invacare nv, Autobaan 22, B-8210 Loppem
Tel: (32) (0)50 83 10 10, Fax: (32) (0)50 83 10 11
belgium@invacare.com / www.invacare.be

Denmark:

Invacare A/S, Sdr. Ringvej 37, DK-2605 Brøndby
Tel: (45) (0)36 90 00 00, Fax: (45) (0)36 90 00 01
denmark@invacare.com / www.invacare.dk

Deutschland:

Invacare Aquatec GmbH, Alemannenstraße 10, D-88316 Isny
Tel: (49) (0)75 62 7 00 0, Fax: (49) (0)75 62 7 00 66
info@invacare-aquatec.com / www.invacare-aquatec.de

European Distributor Organisation:

Invacare, Kleiststraße 49, D-32457 Porta Westfalica
Tel: (49) (0)57 31 754 540, Fax: (49) (0)57 31 754 541
edo@invacare.com / www.invacare.eu.com

España:

Invacare SA, c/Areny s/n, Polígon Industrial de Celrà, E-17460 Celrà (Girona)
Tel: (34) (0)972 49 32 00, Fax: (34) (0)972 49 32 20
contactsp@invacare.com / www.invacare.es

France:

Invacare Poirier SAS, Route de St Roch, F-37230 Fondettes
Tel: (33) (0)2 47 62 64 66, Fax: (33) (0)2 47 42 12 24
contactfr@invacare.com / www.invacare.fr

Ireland:

Invacare Ireland Ltd, Unit 5 Seatown Business Campus, Seatown Road, Swords, County Dublin - Ireland
Tel: (353) 1 810 7084, Fax: (353) 1 810 7085
ireland@invacare.com / www.invacare.ie

Italia:

Invacare Mecc San s.r.l., Via dei Pini 62, I-36016 Thiene (VI)
Tel: (39) 0445 38 00 59, Fax: (39) 0445 38 00 34
italia@invacare.com / www.invacare.it

Nederland:

Invacare BV, Celsiusstraat 46, NL-6716 BZ Ede
Tel: (31) (0)318 695 757, Fax: (31) (0)318 695 758
nederland@invacare.com, csede@invacare.com / www.invacare.nl

Norge:

Invacare AS, Grensesvingen 9, Postboks 6230, Etterstad, N-0603 Oslo
Tel: (47) (0)22 57 95 00, Fax: (47) (0)22 57 95 01
norway@invacare.com, island@invacare.com / www.invacare.no

Österreich:

Invacare Austria GmbH, Herzog Odilostrasse 101, A-5310 Mondsee
Tel: (43) 6232 5535 0, Fax: (43) 6232 5535 4
info-austria@invacare.com / www.invacare.at

Portugal:

Invacare Lda, Rua Estrada Velha, 949, P-4465-784 Leça do Balio
Tel: (351) (0)225 1059 46/47, Fax: (351) (0)225 1057 39
portugal@invacare.com / www.invacare.pt

Sverige & Suomi:

Invacare AB, Fagerstagatan 9, S-163 91 Spånga
Tel: (46) (0)8 761 70 90, Fax: (46) (0)8 761 81 08
sweden@invacare.com, finland@invacare.com / www.invacare.se

Switzerland:

Invacare AG, Benkenstrasse 260, CH-4108 Witterswil
Tel: (41) (0)61 487 70 80, Fax: (41) (0)61 487 70 81
switzerland@invacare.com / www.invacare.ch

United Kingdom:

Invacare Limited, Pencoed Technology Park, Pencoed, Bridgend CF35 5AQ
Switchboard Tel: (44) (0)1656 776200, Fax: (44) (0)1656 776201
Customer services Tel: (44) (0)1656 776222, Fax: (44) (0)1656 776220
uk@invacare.com / www.invacare.co.uk