

Spare Parts Catalogue

Version: 2019/12/04a EN



Invacare® **ISA™**



Yes, you can.®

General Information

For any order of spare parts the following information is required:

- Product type*
- Product name & model*
- Serial Number*
- Part-Number*
- Part-Description*

Exploded view drawings and code numbers are not contractual and subject to modification, in relation to Invacare® continuous product improvement policy to meet end users needs.

The reproduction or use of this work, or of any substantial part of this work, in any form or by any electronic, mechanical or other means, including photocopying, scanning and recording, and in any information storage and retrieval system, including electronic transmission, is forbidden without the prior written permission of Invacare® International Sarl.



Yes, you can.[®]

TABLE OF CONTENTS

Colour and Information

Retouch Paint	5
---------------------	---

Base and legs

Base and legs for ISA COMPACT, manual leg spread	6
Base and legs for ISA STANDARD, manual leg spread	7
Base and legs for ISA STANDARD, electrical leg spread	8
Base and legs for ISA PLUS, manual leg spread	9
Base and legs for ISA PLUS, electrical leg spread	10
Base and legs for ISA XPLUS, electrical leg spread	11
Pedal mechanism assembly	12
Pedal mechanism assembly for ISA COMPACT	13
Pedal mechanism assembly for ISA STANDARD/PLUS	14
Foot Plate	15

Castors

Castors	16
---------------	----

Electrical Parts

Actuator for Boom	17
Actuator for electrical leg spread, ISA STANDARD/PLUS	18
Actuator for electrical leg spread, ISA XPLUS	19
Control Units	20
Hand controls	21
Electrical Accessories & Hardware	22

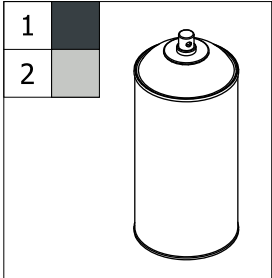
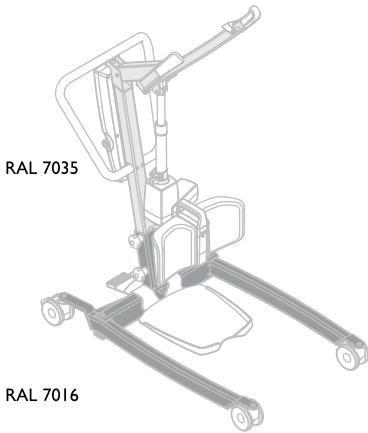
Mast and Boom

Mast and Boom	23
Boom	24
Leg support	25
Labelling	26

Accessories

Lever for leg spread	27
Leg band	28
Protective covers for legs	29

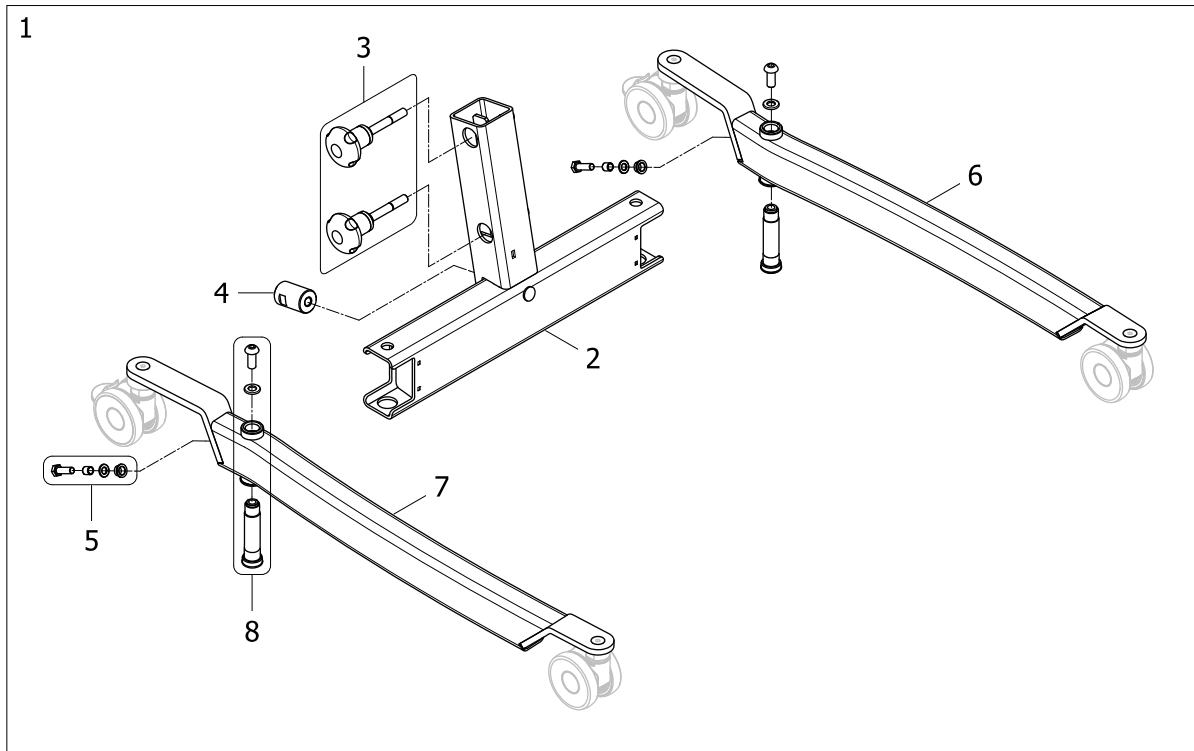
Retouch Paint



!SP51.655280

Pos.	Part number	Description	Valid from → until	Qty
1	SP1654808	Retouch Spray RAL7016 400ml		1
2	SP1586086	Retouch Spray RAL7035 400ml		1

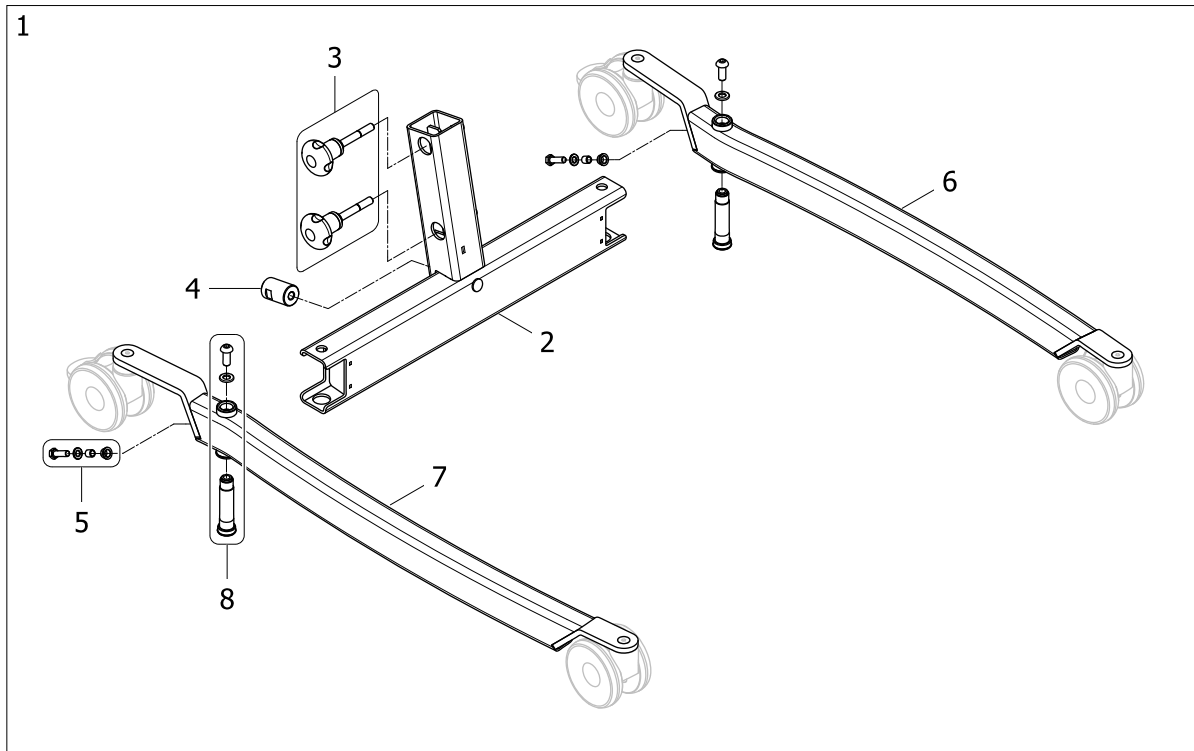
Base and legs for ISA COMPACT, manual leg spread



ISPS1655100 ~ 1651552

Pos.	Part number	Description	Valid from → until	Qty
1	SP1651552	Base and legs fully assembled with 75mm castors for ISA COMPACT		1
1	SP1655330	Base and legs fully assembled with 100mm castors for ISA COMPACT		1
2	SP1645809	Base for fixed mast for Birdie EVO COMPACT and ISA COMPACT		1
3	SP1650836	Knob fixation kit		1
4	SP1510217-7012	Pedal axle for Birdie/ISA lifters		1
5	SP1650835	Fixation kit for connection between leg and rod		1
6	SP1655433	Left leg for ISA COMPACT		1
7	SP1655434	Right leg for ISA COMPACT		1
8	SP1650839	Leg fixation kit: bushing, screw and washer		1

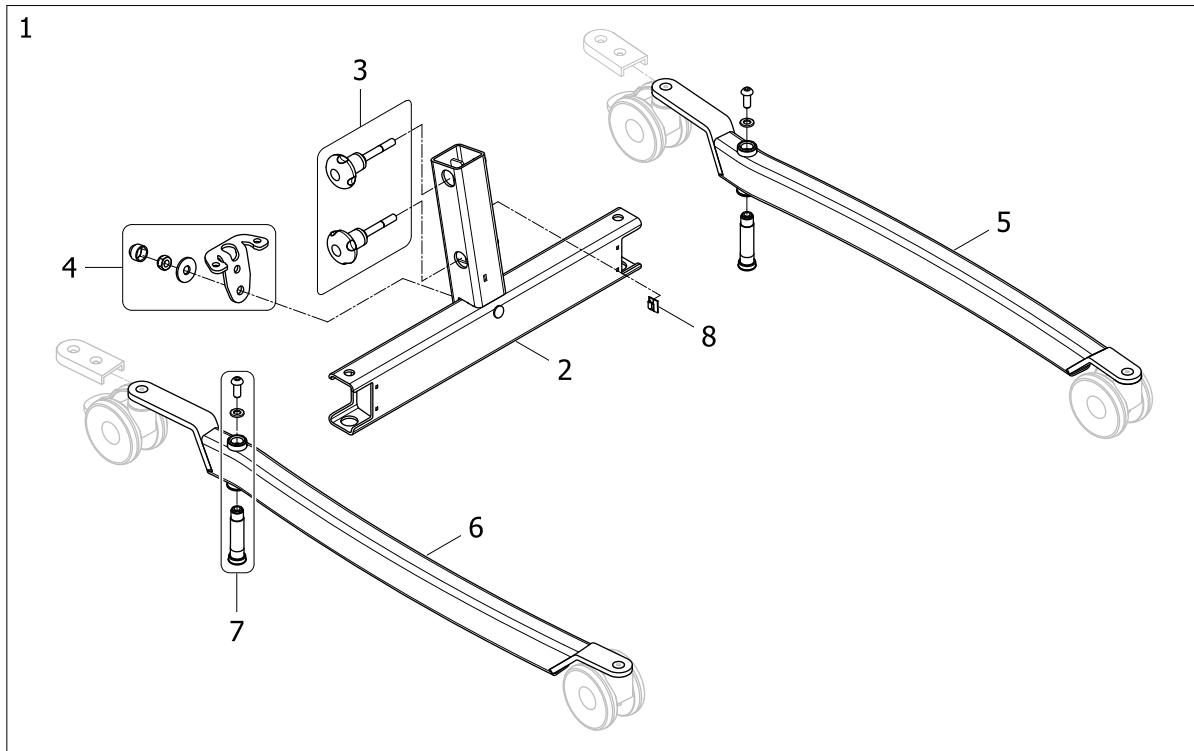
Base and legs for ISA STANDARD, manual leg spread



ISPS1655101 ~ 1651553

Pos.	Part number	Description	Valid from → until	Qty
1	SP1651553	Base and legs fully assembled with 100mm castors, ISA STANDARD manual		1
2	SP1645722	Base for fixed mast for Birdie EVO and ISA STANDARD/PLUS		1
3	SP1650836	Knob fixation kit		1
4	SP1510217-7012	Pedal axle for Birdie/ISA lifters		1
5	SP1650835	Fixation kit for connection between leg and rod		1
6	SP1650837	Left leg for Birdie EVO COMPACT and ISA STANDARD		1
7	SP1650838	Right leg for Birdie EVO COMPACT		1
8	SP1650839	Leg fixation kit: bushing, screw and washer		1

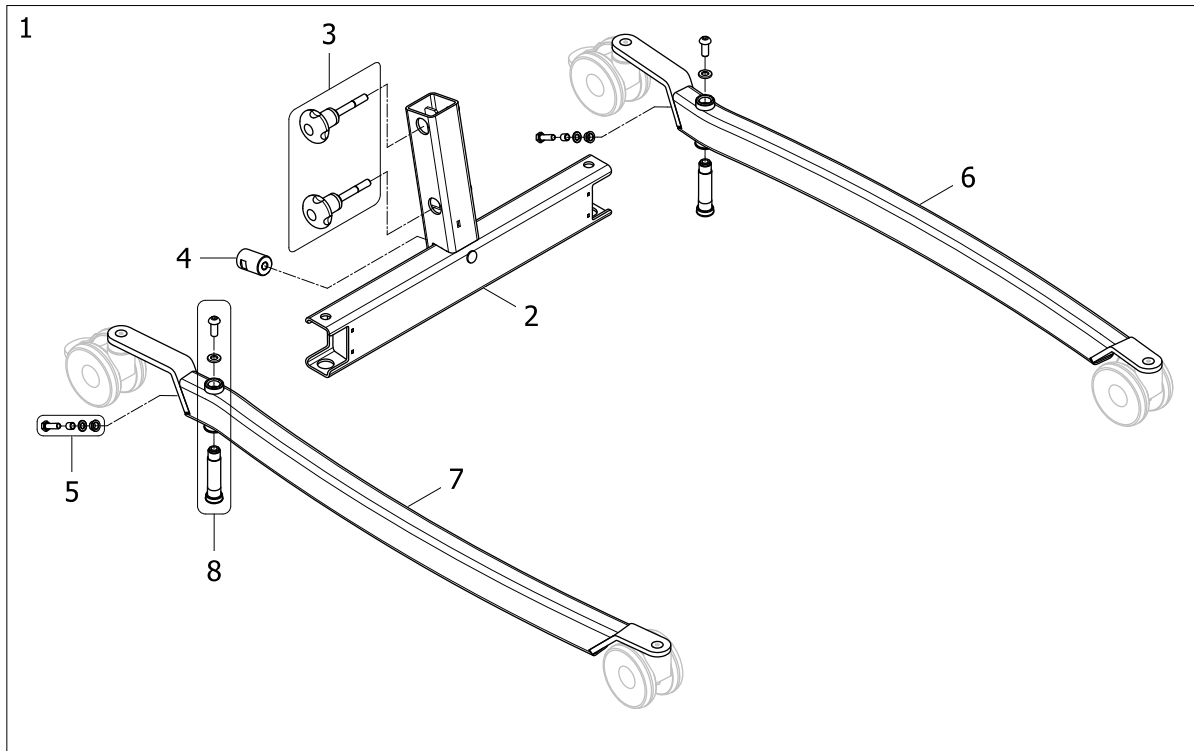
Base and legs for ISA STANDARD, electrical leg spread



ISPS1655102 ~ 1654348

Pos.	Part number	Description	Valid from → until	Qty
1	SP1656419	Base and legs fully assembled with 100mm castors, ISA STANDARD elec.		1
2	SP1645722	Base for fixed mast for Birdie EVO and ISA STANDARD/PLUS		1
3	SP1650836	Knob fixation kit		1
4	SP1651009	Base plate fixation kit		1
5	SP1650837	Left leg for Birdie EVO COMPACT and ISA STANDARD		1
6	SP1650838	Right leg for Birdie EVO COMPACT		1
7	SP1650839	Leg fixation kit: bushing, screw and washer		1
8	SP1426680	Cable clips 4,6x4,1 Qty.2		1

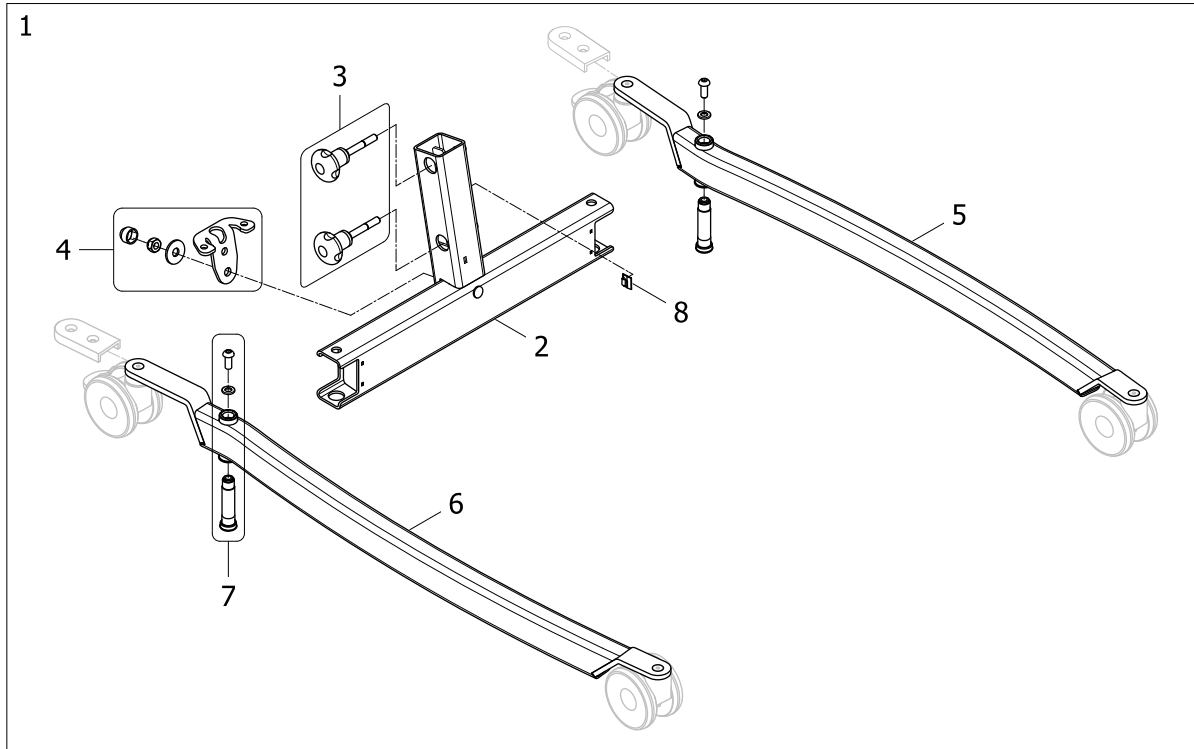
Base and legs for ISA PLUS, manual leg spread



!SPS1655225 ~ 1645721

Pos.	Part number	Description	Valid from → until	Qty
1	SP1645721	Base and legs fully assembled with 100mm castors, Birdie EVO/ISA PLUS manual		1
2	SP1645722	Base for fixed mast for Birdie EVO and ISA STANDARD/PLUS		1
3	SP1650836	Knob fixation kit		1
4	SP1510217-7012	Pedal axle for Birdie/ISA lifters		1
5	SP1650835	Fixation kit for connection between leg and rod		1
6	SP1650844	Left leg for Birdie EVO and ISA PLUS		1
7	SP1650845	Right leg for Birdie EVO and ISA PLUS		1
8	SP1650839	Leg fixation kit: bushing, screw and washer		1

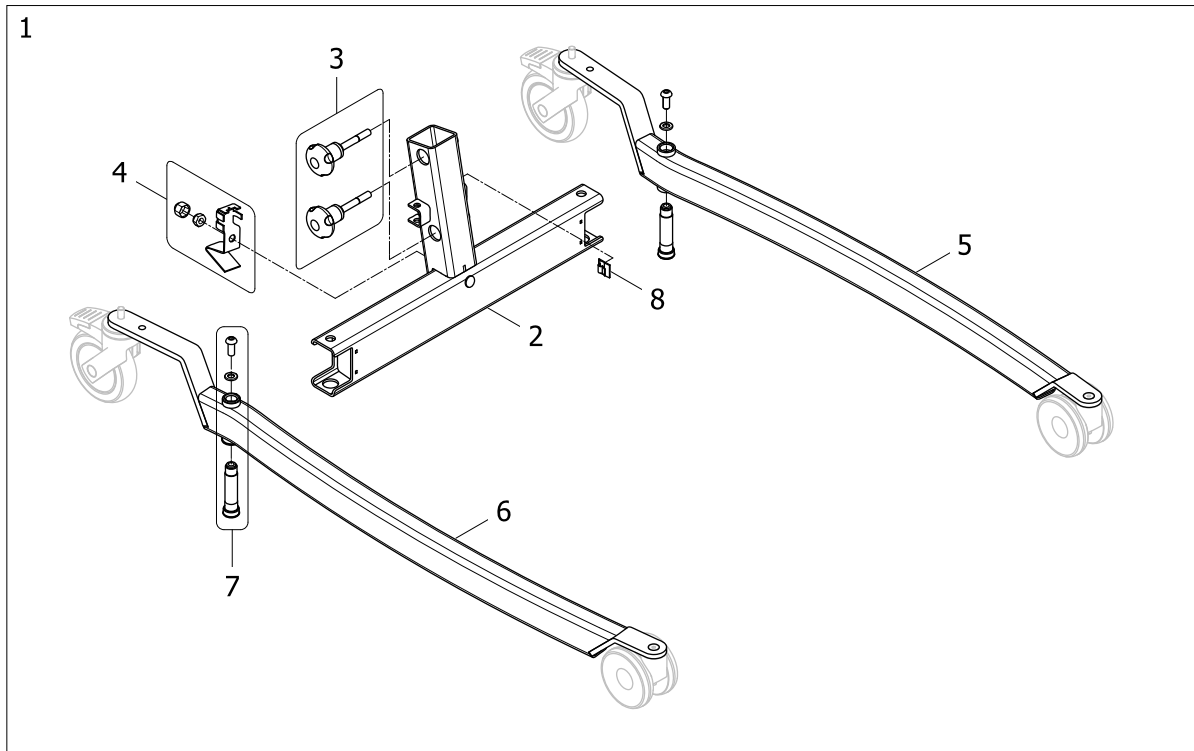
Base and legs for ISA PLUS, electrical leg spread



ISPS1655226 ~ 1654370

Pos.	Part number	Description	Valid from → until	Qty
1	SP1656411	Base and legs fully assembled with 100mm castors, ISA PLUS elec.		1
2	SP1645722	Base for fixed mast for Birdie EVO and ISA STANDARD/PLUS		1
3	SP1650836	Knob fixation kit		1
4	SP1651009	Base plate fixation kit		1
5	SP1650844	Left leg for Birdie EVO and ISA PLUS		1
6	SP1650845	Right leg for Birdie EVO and ISA PLUS		1
7	SP1650839	Leg fixation kit: bushing, screw and washer		1
8	SP1426680	Cable clips 4,6x4,1 Qty.2		1

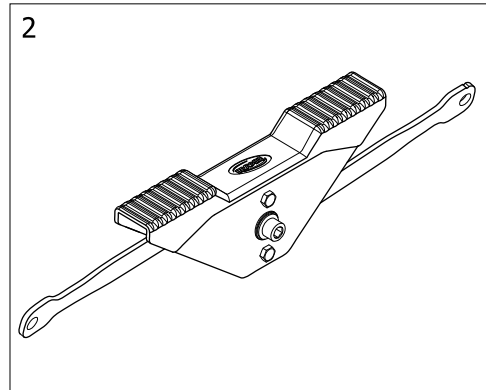
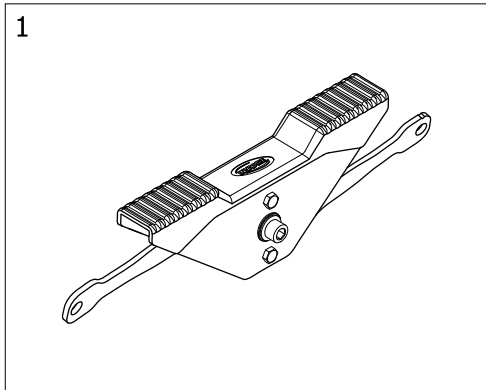
Base and legs for ISA XPLUS, electrical leg spread



ISPS1655227 ~ 1646828

Pos.	Part number	Description	Valid from → until	Qty
1	SP1646828	Base and legs fully assembled, Birdie EVO PLUS/XPLUS and ISA XPLUS		1
2	SP1646829	Base for fixed mast for Birdie EVO PLUS/XPLUS and ISA XPLUS		1
3	SP1650836	Knob fixation kit		1
4	SP1651198	Base fixation kit		1
5	SP1651199	Left leg for Birdie EVO PLUS/XPLUS and ISA XPLUS		1
6	SP1651200	Right leg for Birdie EVO PLUS/XPLUS and ISA XPLUS		1
7	SP1650839	Leg fixation kit: bushing, screw and washer		1
8	SP1426680	Cable clips 4,6x4,1 Qty.2		1

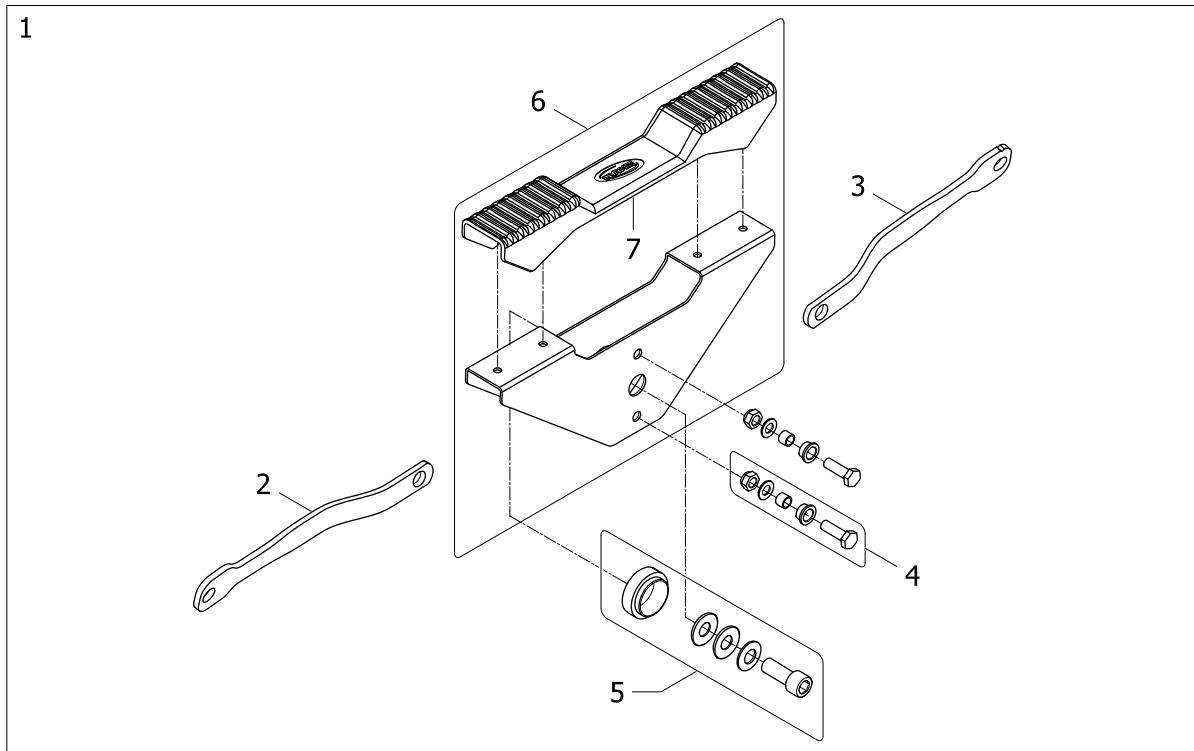
Pedal mechanism assembly



ISPS165528

Pos.	Part number	Description	Valid from → until	Qty
1	-	Pedal mechanism assembly for ISA COMPACT		1
2	-	Pedal mechanism assembly for ISA STANDARD/PLUS		1

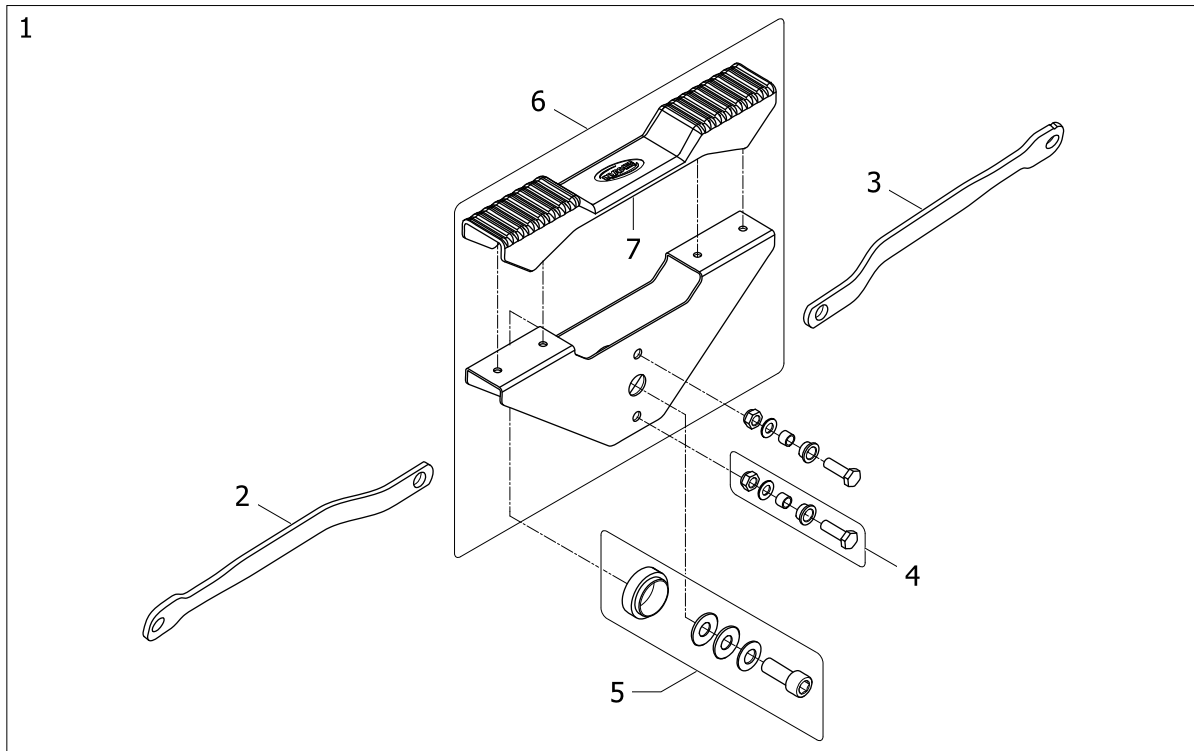
Pedal mechanism assembly for ISA COMPACT



ISPS1655229 ~ 1646185

Pos.	Part number	Description	Valid from → until	Qty
1	SP1646185	Pedal mechanism fully assembled		1
2	SP1645791	Left connecting rod		1
3	SP1645790	Right connecting rod (with dent)		1
4	SP1650840	Fixation kit for connection between pedal and rod		1
5	SP1650841	Fixation kit for connection for pedal and base		1
6	SP1650842	Pedal kit (plate and cover)		1
7	SP1645588	Pedal cover		1

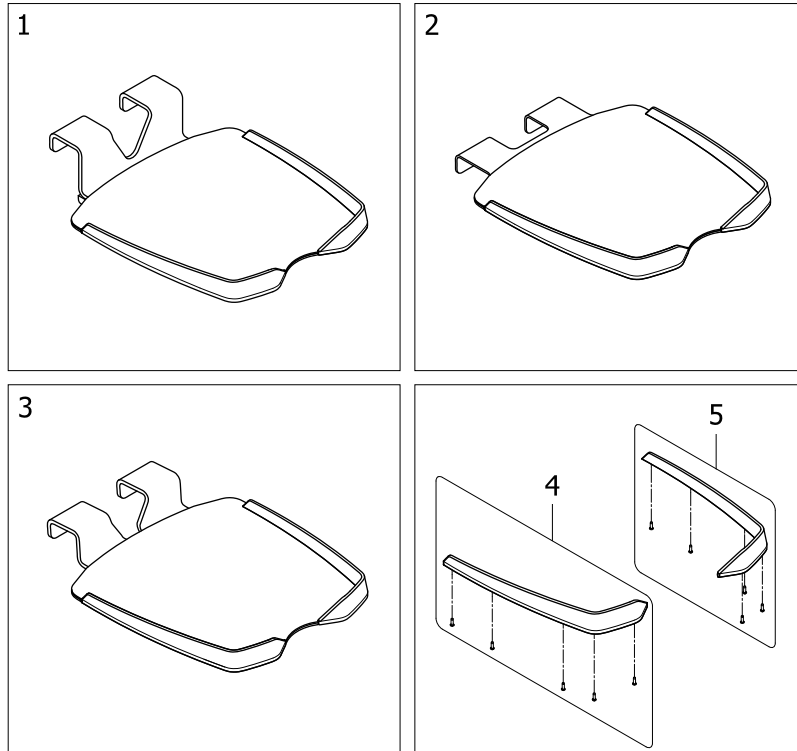
Pedal mechanism assembly for ISA STANDARD/PLUS



ISPS1655230 ~ 1645715

Pos.	Part number	Description	Valid from → until	Qty
1	SP1645715	Pedal mechanism fully assembled		1
2	SP1645512	Left connecting rod		1
3	SP1645507	Right connecting rod (with dent)		1
4	SP1650840	Fixation kit for connection between pedal and rod		1
5	SP1650841	Fixation kit for connection for pedal and base		1
6	SP1650842	Pedal kit (plate and cover)		1
7	SP1645588	Pedal cover		1

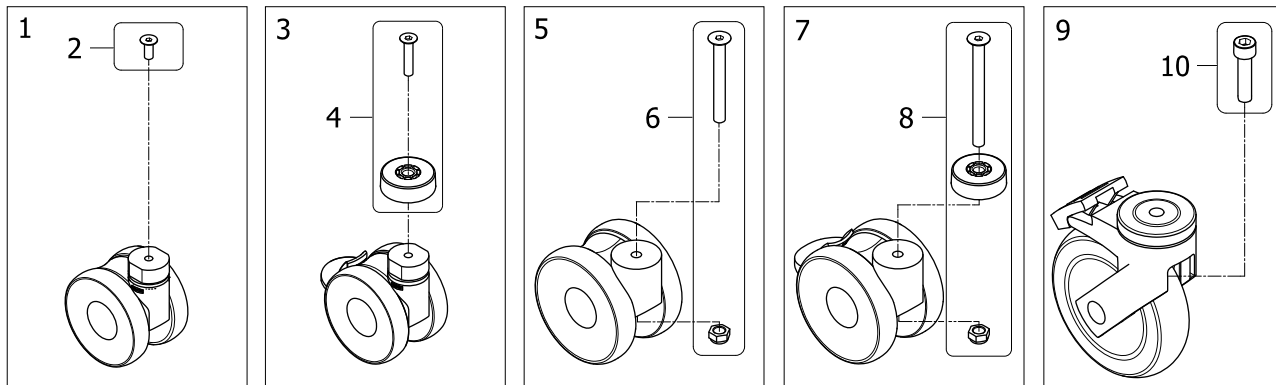
Foot Plate



ISPS1655231

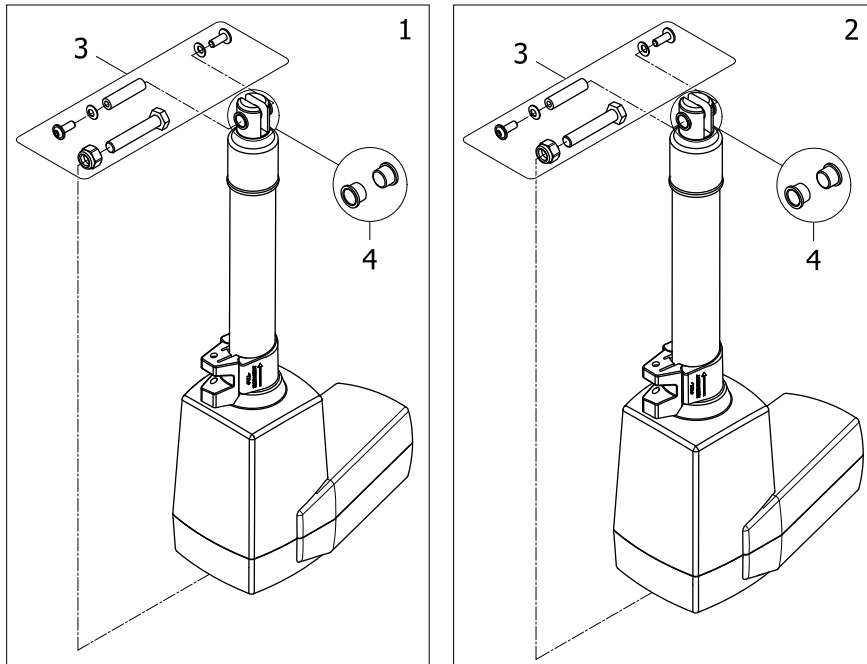
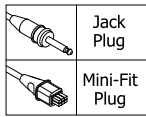
Pos.	Part number	Description	Valid from → until	Qty
1	SP1650441	Foot Plate, low and flat		1
2	SP1650440	Foot Plate, high and flat		1
3	SP1650439	Foot Plate, intermediate and inclined		1
4	SP1655436	Right Heel block kit for Foot Plate		1
5	SP1655435	Left Heel block kit for Foot Plate		1

Castors



ISPS1655232

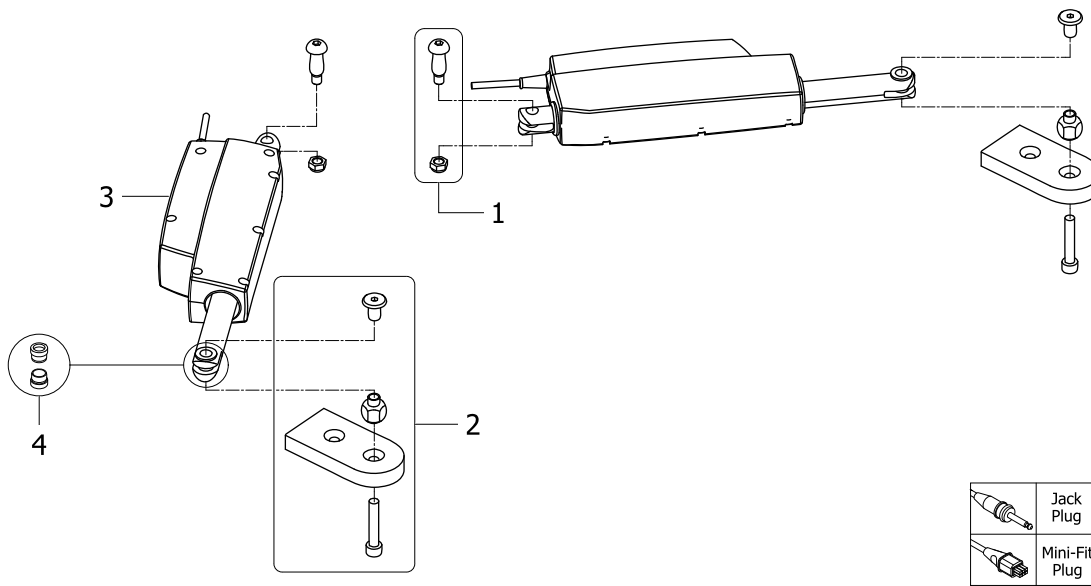
Pos.	Part number	Description	Valid from → until	Qty
1	SP1650850	Front castor 75mm without brake, fixation included		1
2	SP1426737	Screw M8x20 Qty.2		1
3	SP1650851	Rear castor 75mm with brake, fixation included		1
4	SP1650852	Fixation kit for 75mm rear castor		1
5	SP1650846	Front castor 100mm without brake, fixation included		1
6	SP1650848	Fixation kit for 100mm front castor		1
7	SP1650847	Rear castor 100mm with brake, fixation included		1
8	SP1650849	Fixation kit for 100mm rear castor		1
9	SP1650853	Rear castor 125mm with brake, fixation included <i>Includes screw and nut</i>	→ 2019-06-24	1
9	SP1660537	Rear castor kit, 125mm with brake, fixation included	2019-06-25 →	1
10	SP1650854	Fixation kit for 125mm rear castor <i>Includes screw and nut</i>	→ 2019-06-24	1
10	SP1660538	Screw for 125mm rear castor, Qty.2	2019-06-25 →	1



ISPS1655235

Pos.	Part number	Description	Valid from → until	Qty
1	SP1655437	Kit actuator LA34 Mini-Fit with fixation, ISA COMPACT, STANDARD & PLUS		1
2	SP1655438	Kit actuator LA34 Jack with fixation for ISA		1
3	SP1655439	Fixation kit for Boom actuator		1
4	SP60121882-7016	Plastic bushing for Linak LA34 actuator, Qty.2		1

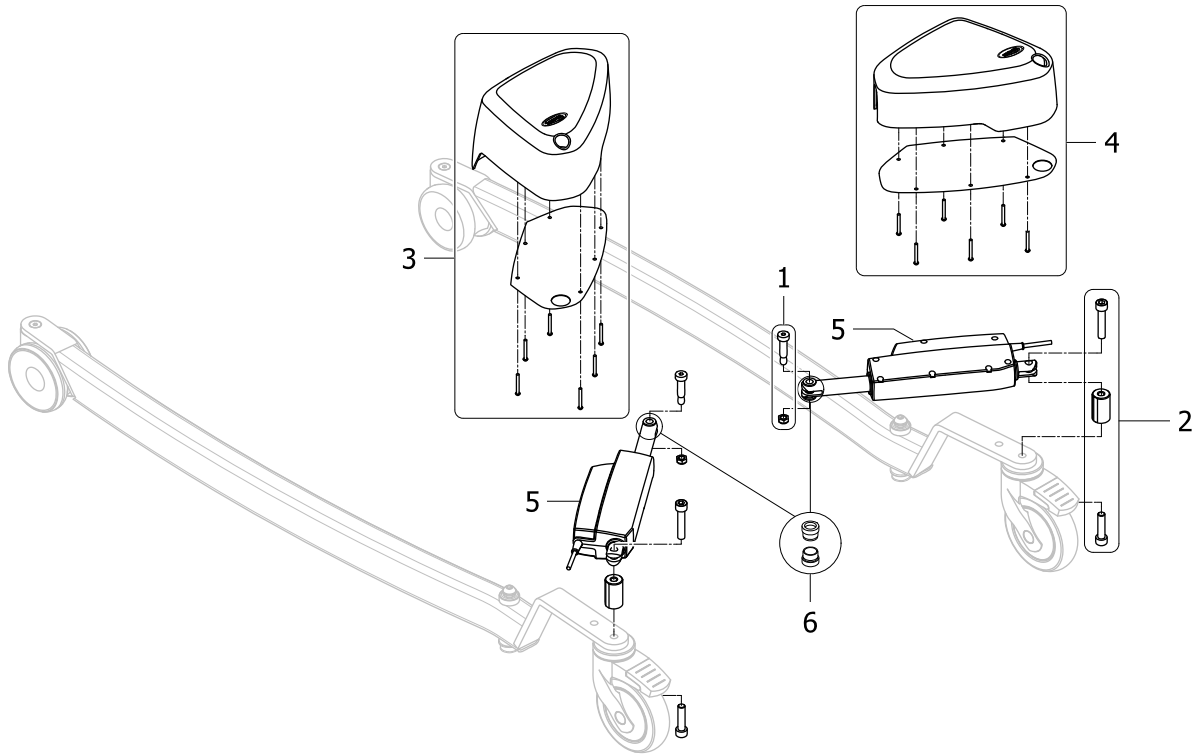
Actuator for electrical leg spread, ISA STANDARD/PLUS



ISPS1655236

Pos.	Part number	Description	Valid from → until	Qty
1	SP1651201	Fixation kit for connection between Actuator and base		1
2	SP1651202	Fixation kit for connection between Actuator and leg		1
3	SP1646691-9005	Actuator LA12 Mini-Fit, pair		1
3	SP1648547-9005	Actuator LA12 Jack, pair		1
4	SP60121879-9005	Plastic bushing for Linak LA12 actuator, Qty.2		1

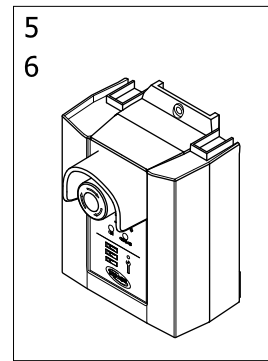
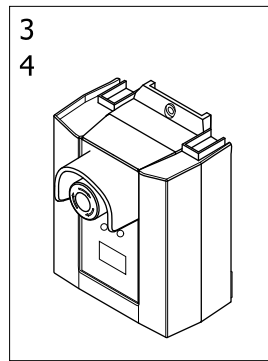
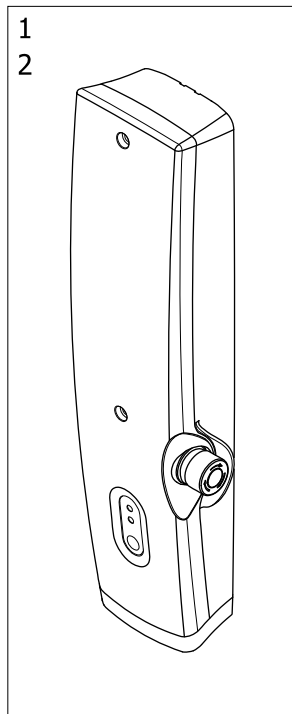
Actuator for electrical leg spread, ISA XPLUS



ISPS1655237

Pos.	Part number	Description	Valid from → until	Qty
1	SP1651231	Fixation kit for connection between Actuator and base		1
2	SP1651232	Fixation kit for connection between Actuator and leg	→ 2019-06-24	1
2	SP1660539	Fixation kit for connection between Actuator and leg	2019-06-25 →	1
3	SP1651233	Left Cover Kit for leg spread Actuator		1
4	SP1651234	Right Cover Kit for leg spread Actuator		1
5	SP1648539-9005	Actuator LA12 Jack, pair		1
6	SP60121879-9005	Plastic bushing for Linak LA12 actuator, Qty.2		1

Control Units

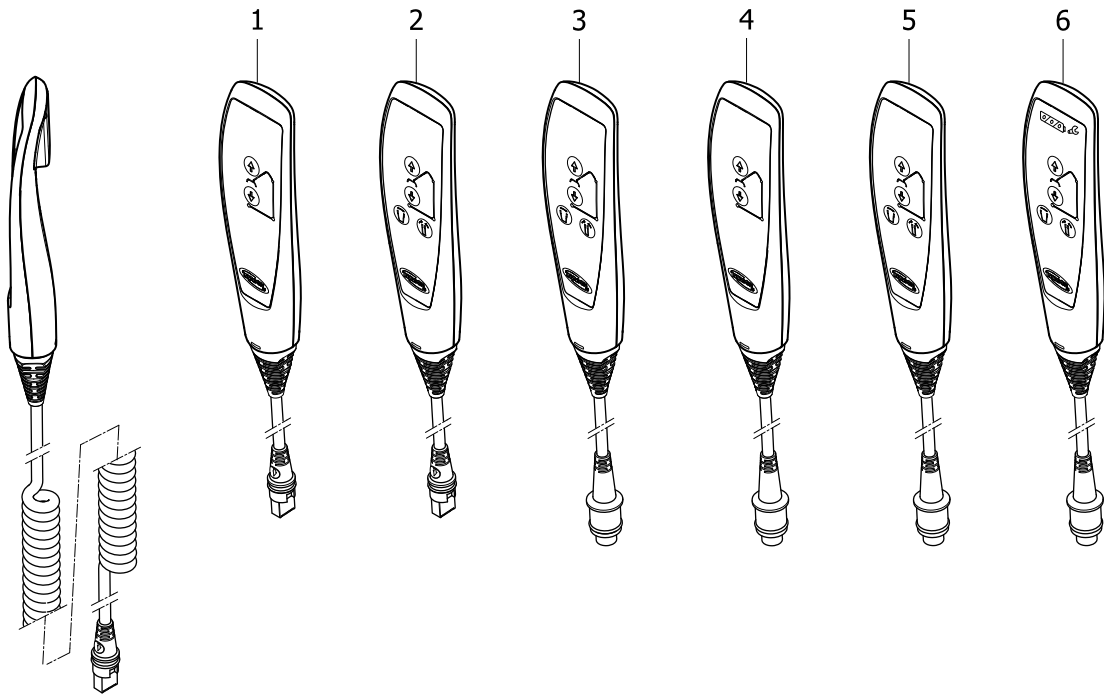


Control unit	Part number	ISA version	Nr of channels	Hand control part number
CBJ-Home	1 SP1655440 SP1655441 SP1655442	ISA COMPACT ISA STANDARD ISA PLUS	1	SP1509617
	2 SP1655443 SP1655444	ISA STANDARD ISA PLUS	2	SP1509618
	3 SP1655445 SP1655446 SP1655447	ISA COMPACT ISA STANDARD ISA PLUS	1	SP1574990
CBJ1	4 SP1655448 SP1655449 SP1655450	ISA STANDARD ISA PLUS ISA XPLUS	2	SP1522195
	5 SP1655661	ISA PLUS	1	SP1574990
	6 SP1655662 SP1655731	ISA PLUS ISA XPLUS	2	SP1155872 / SP1177596

ISPS1655269

Pos.	Part number	Description	Valid from → until	Qty
1	SP1655440	Control unit CBJ-Home 1 Ch. manual leg spread 140kg		1
1	SP1655441	Control unit CBJ-Home 1 Ch. manual leg spread 160kg		1
1	SP1655442	Control unit CBJ-Home 1 Ch. manual leg spread 180kg		1
2	SP1655443	Control unit CBJ-Home 2 Ch. electrical leg spread 160kg		1
2	SP1655444	Control unit CBJ-Home 2 Ch. electrical leg spread 180kg		1
3	SP1655445	Control unit CBJ2 1 Ch. manual leg spread 140kg		1
3	SP1655446	Control unit CBJ2 1 Ch. manual leg spread 160kg		1
3	SP1655447	Control unit CBJ2 1 Ch. manual leg spread 180Kg		1
4	SP1655448	Control unit CBJ1 2 Ch. electrical leg spread 160kg		1
4	SP1655449	Control unit CBJ1 2 Ch. electrical leg spread 180kg		1
4	SP1655450	Control unit CBJ1 2 Ch. electrical leg spread 200kg		1
5	SP1655661	Control unit CBJ-Care 1 Ch. manual leg spread 180kg		1
6	SP1655662	Control unit CBJ-Care 2 Ch. electrical leg spread 180kg		1
6	SP1655731	Control unit CBJ-Care 2 Ch. electrical leg spread 200kg		1

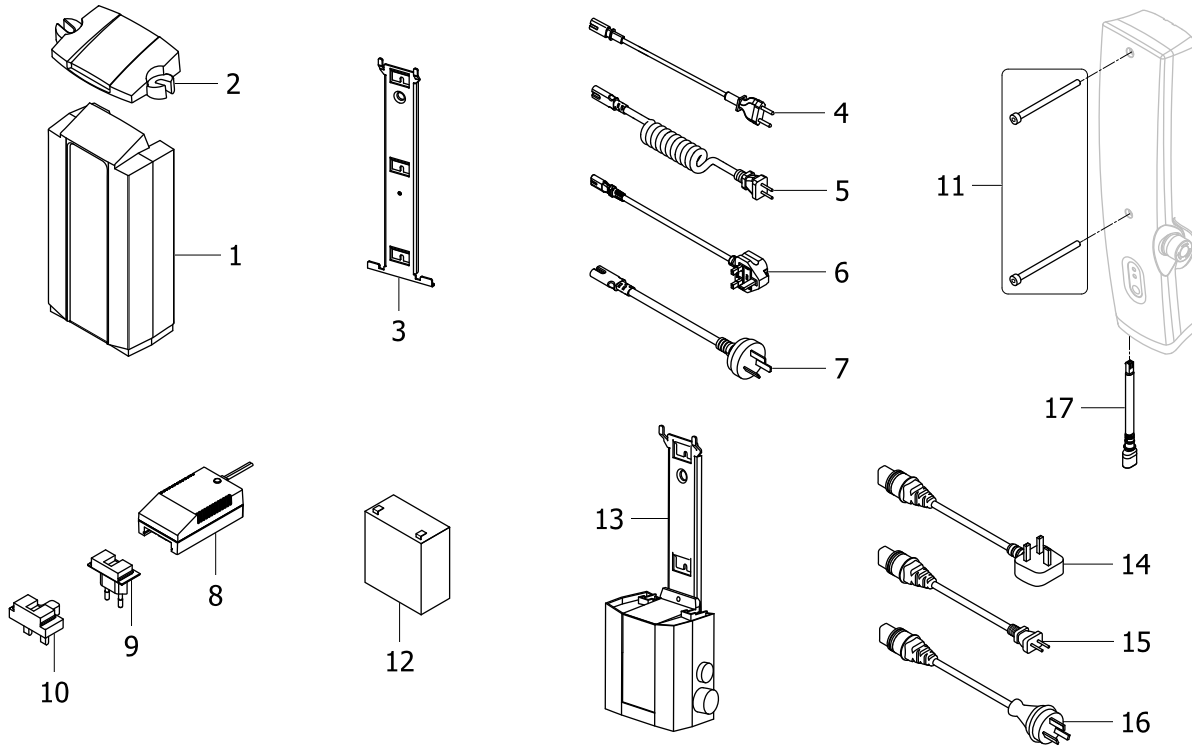
Hand controls



ISPS1650831

Pos.	Part number	Description	Valid from → until	Qty
1	SP1509617	Hand ctrl. Up/down button, Fixed batt, Birdie Compact, EVO & EVO COMPACT, ISA COMPACT, STANDARD & PLUS		1
2	SP1509618	Hand ctrl. Up/down & Leg buttons, Fixed batt, Birdie & Birdie EVO, ISA STANDARD & PLUS		1
3	SP1522195	Hand ctrl. Up/down & Leg buttons, Detach batt, Birdie/EVO/PLUS/XPLUS, ISA STANDARD, PLUS & XPLUS		1
4	SP1574990	Hand ctrl. Up/down button, Detach batt, Birdie Compact, EVO & EVO COMPACT, ISA COMPACT, STANDARD & PLUS		1
5	SP1155872	Hand ctrl. Up/down & Leg buttons, Detach batt, Birdie & Birdie EVO, ISA PLUS & XPLUS		1
6	SP60121104	Hand ctrl. Up/down & Leg buttons w/ magnet & Battery indicator, Birdie EVO PLUS & XPLUS, ISA PLUS & XPLUS		1

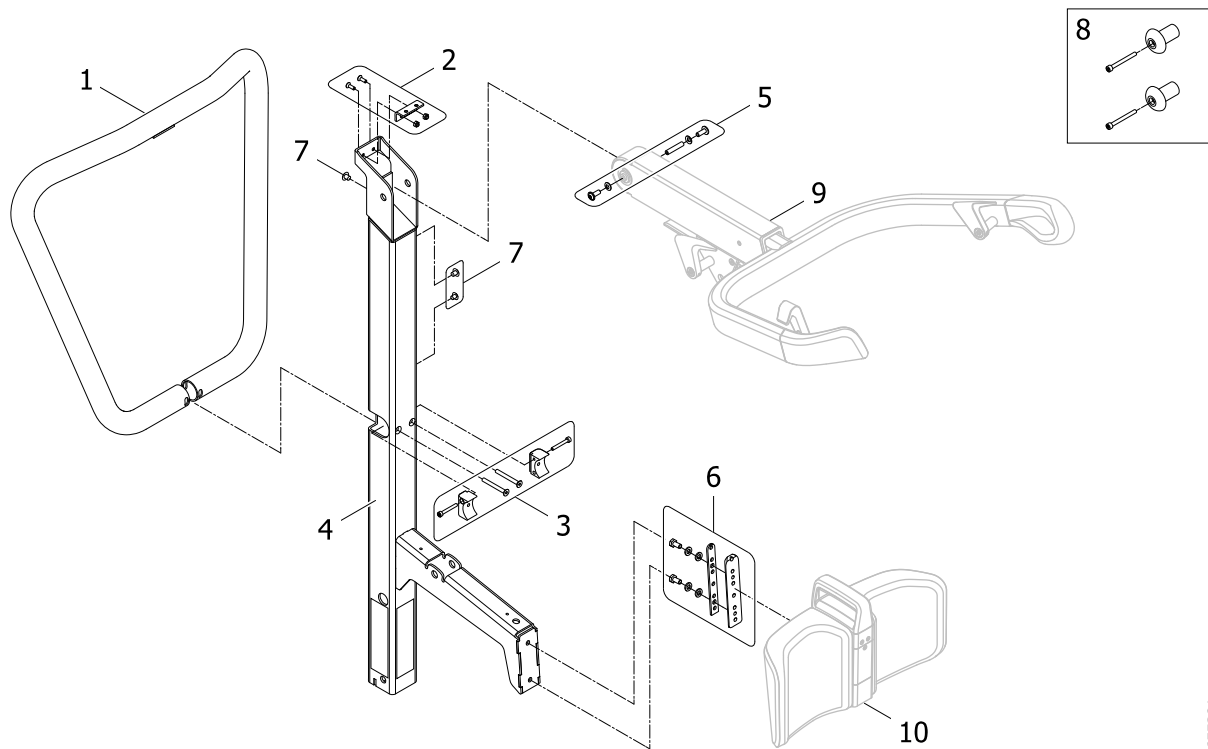
Electrical Accessories & Hardware



ISPS1650032

Pos.	Part number	Description	Valid from → until	Qty
1	SP1514573-7035	Battery for CBJ control units		1
1	SP60123346-7035	Lithium Battery for CBJ control units		1
2	SP1523789-7035	Cover for battery		1
3	SP1514574-0002	Bracket for CBJ1, CBJ2 or CBJ-Home control units		1
4	SP1511583-7035	Mains cable, EU plug		1
5	SP1155873	Cord EU electric only (for Controller)		1
6	SP1511686-7035	Mains Cable, UK plug		1
7	SP1530000-7035	Mains cable, ANZ plug		1
8	SP1514576-9005	Charger CH01, Birdie/Compact / EVO & EVO COMPACT (1 pc per hoist) please, order the adaptor		1
9	SP1514613-9005	EU plug adaptor for charger		1
10	SP1533127-9005	UK plug adaptor for charger		1
11	SP1509740	Screws for CBJ-Home		1
12	SP1420622	Battery 2,9 Ah (1 pcs)		1
13	SP1651491	Wall charger Kit for detachable battery		1
14	SP1079134	Wall Charger Mains Cable, UK		1
15	SP1079135	Cord EU electric only (for Charger)		1
16	SP1417620	Wall Charger Main Cable, ANZ		1
17	SP60110685	Internal charger socket for CBJ Home		1

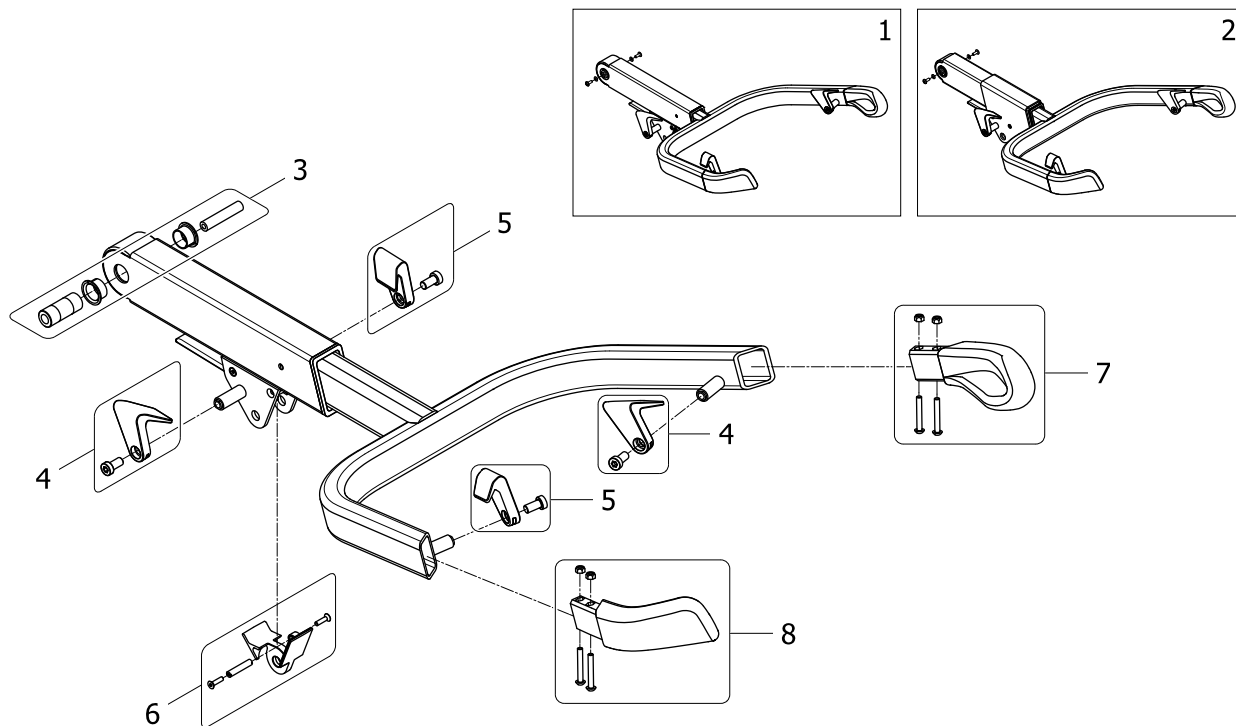
Mast and Boom



!SPS1655281

Pos.	Part number	Description	Valid from → until	Qty
1	SP1649667	Push bar for ISA		1
2	SP1655732	Push bar upper fixation kit		1
3	SP1655733	Push bar lower fixation kit		1
4	SP1649689	Mast		1
5	SP1655734	Fixation kit between mast and boom		1
6	SP1655735	Fixation kit between mast and leg support		1
7	SP1654968	Mast hole cover, Qty. 3		1
8	SP1655744	Cable management kit		1
9	-	Boom		1
10	-	Leg support		1

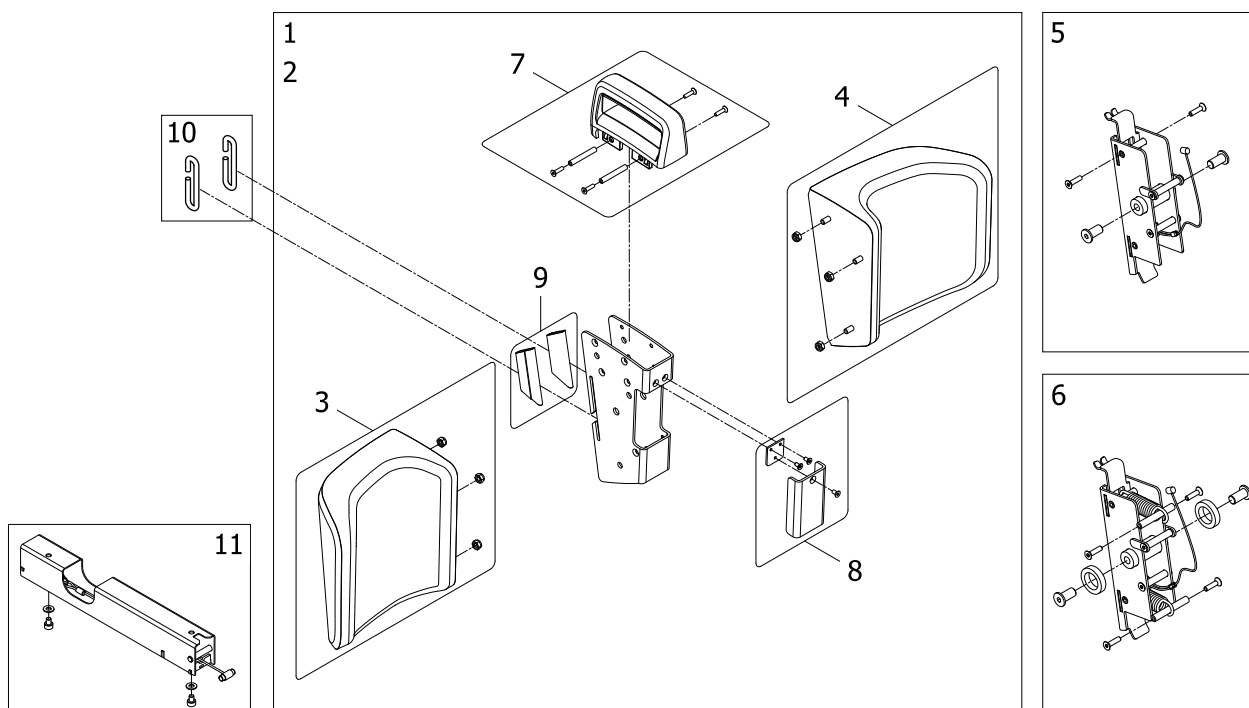
Boom



!SP1661290

Pos.	Part number	Description	Valid from → until	Qty
1	SP1661260	Boom and lifting arm assembly for ISA COMPACT, STANDARD & PLUS		1
2	SP1661289	Boom and lifting arm assembly for ISA XPLUS		1
3	SP1655746	Boom articulation kit		1
4	SP1655764	Right Hook kit		1
5	SP1655763	Left Hook kit		1
6	SP1655765	Anti-pinching protection kit		1
7	SP1655800	Left Hand Grip kit		1
8	SP1655801	Right Hand Grip kit		1

Leg support



ISPS1655295

Pos.	Part number	Description	Valid from → until	Qty
1	SP1651660	Complete Leg Support, fixed		1
2	SP1650437	Complete Leg support, swivelling		1
3	SP1655804	Left shin cushion kit		1
4	SP1655805	Right shin cushion kit		1
5	SP1655806	Leg support guide kit, fixed		1
6	SP1655807	Leg support guide kit, swivelling		1
7	SP1655808	Release handle kit		1
8	SP1655809	Cover plate fixation kit		1
9	SP1656413	Leg band connector, Qty.2		1
10	SP1656414	Clip for leg band, Qty.2		1
11	SP60121114	Leg support stopper kit		1

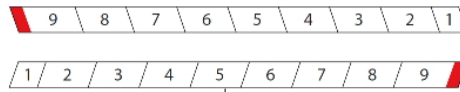
Labelling



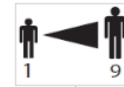
1



2



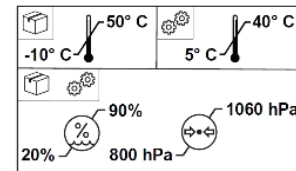
3



4



5

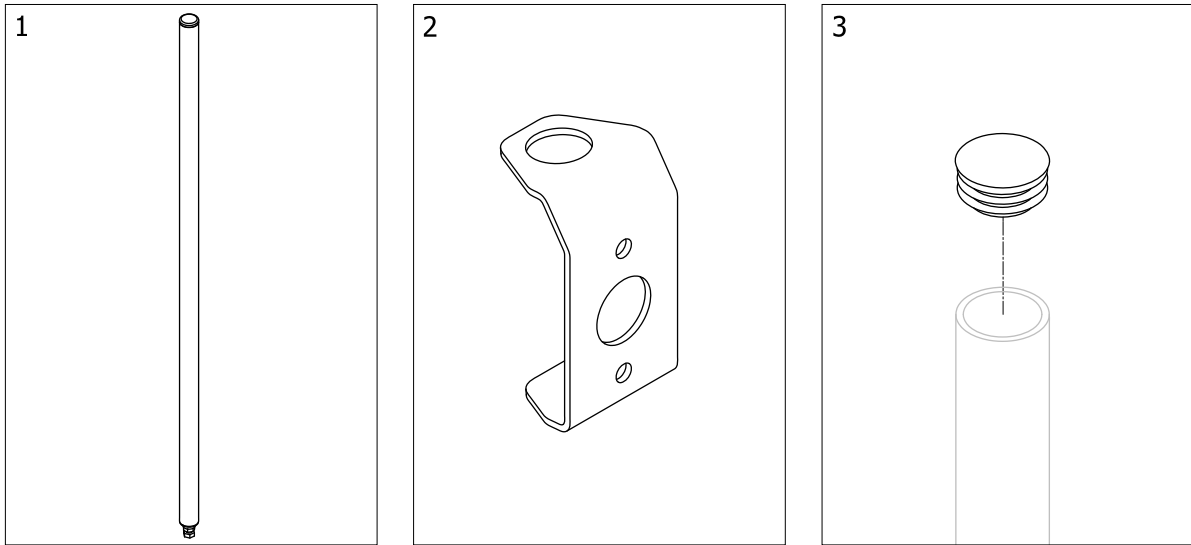


10

ISPS1651296

Pos.	Part number	Description	Valid from → until	Qty
1	SP1514228	Label TUV Certification		1
2	SP1582519	Label Read User Manual Qty.2		1
3	SP1657036	Labels for arm adjustment for ISA, left+right		1
4	SP1654891	Label, ISA scale indicator, Qty.2		1
5	SP1656418	Label, ErgoSupport, Qty.2		1
6	SP1654037	Label, ISA COMPACT, Qty.2		1
7	SP1654068	Label, ISA STANDARD, Qty.2		1
8	SP1654069	Label, ISA PLUS, Qty.2		1
9	SP1654070	Label, ISA XPLUS, Qty.2		1
10	SP1651797	Label Environmental Conditions, Qty.2		1

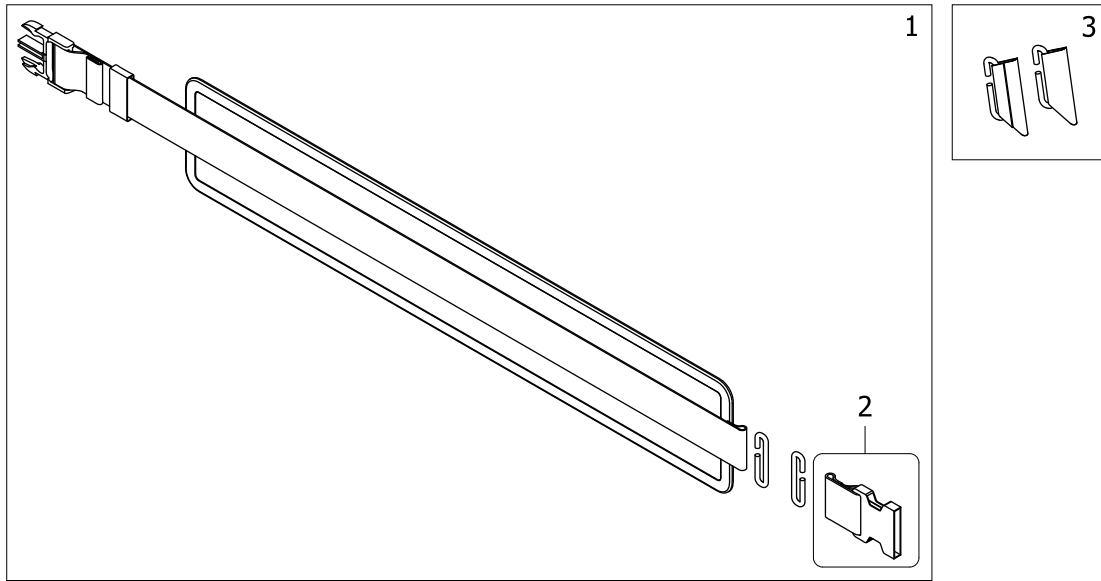
Lever for leg spread



!SPS1655233

Pos.	Part number	Description	Valid from → until	Qty
1	SP1654296	Lever for manual leg spread		1
2	SP1645498	Fixation plate for leg spread lever		1
3	SP1449580	Plastic plug for leg spread lever		1

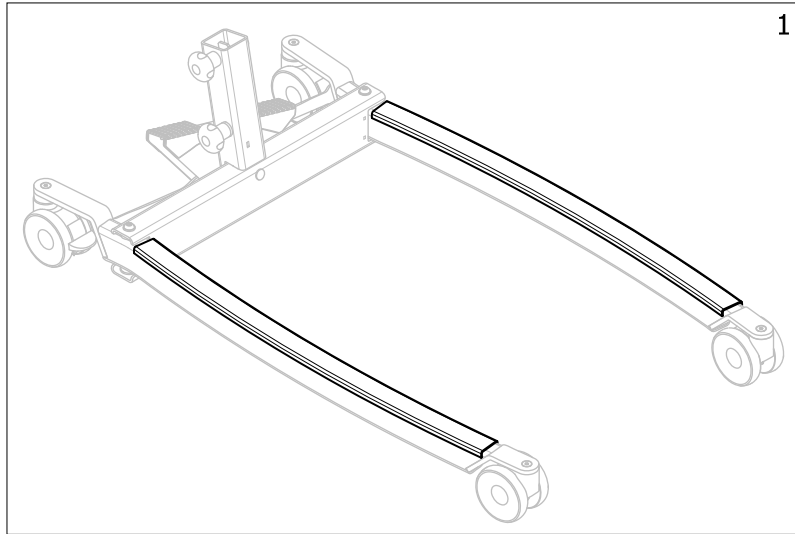
Leg band



ISPS1655234

Pos.	Part number	Description	Valid from → until	Qty
1	SP1656592	Complete leg band for ISA with clips, black		1
1	SP60121192	Complete leg band for ISA with clips, grey		1
2	SP1654052	Female buckle for leg band		1
3	SP1656593	Leg band connector kit, Qty.2		1

Protective covers for legs



!SPS1657025

Pos.	Part number	Description	Valid from → until	Qty
1	SP60121193	Leg protection for ISA COMPACT, Qty.2		1
1	SP1648554	Leg Protection for Birdie EVO COMPACT & ISA STANDARD, Qty.2		1
1	SP1648551	Leg protection for Birdie EVO & EVO PLUS, ISA PLUS & XPLUS, Qty.2		1



Yes, you can.®



Belgium & Luxemburg:

Invacare nv, Autobaan 22, B-8210 Loppem
Tel: (32) (0)50 83 10 10, Fax: (32) (0)50 83 10 11
belgium@invacare.com / www.invacare.be

Denmark:

Invacare A/S, Sdr. Ringvej 37, DK-2605 Brøndby
Tel: (45) (0)36 90 00 00, Fax: (45) (0)36 90 00 01
denmark@invacare.com / www.invacare.dk

Deutschland:

Invacare Aquatec GmbH, Alemannenstraße 10, D-88316 Isny
Tel: (49) (0)75 62 7 00 0, Fax: (49) (0)75 62 7 00 66
info@invacare-aquatec.com / www.invacare-aquatec.de

European Distributor Organisation:

Invacare, Kleiststraße 49, D-32457 Porta Westfalica
Tel: (49) (0)57 31 754 540, Fax: (49) (0)57 31 754 541
edo@invacare.com / www.invacare.eu.com

España:

Invacare SA, c/Areny s/n, Polígon Industrial de Celrà, E-17460 Celrà (Girona)
Tel: (34) (0)972 49 32 00, Fax: (34) (0)972 49 32 20
contactsp@invacare.com / www.invacare.es

France:

Invacare Poirier SAS, Route de St Roch, F-37230 Fondettes
Tel: (33) (0)2 47 62 64 66, Fax: (33) (0)2 47 42 12 24
contactfr@invacare.com / www.invacare.fr

Ireland:

Invacare Ireland Ltd, Unit 5 Seatown Business Campus, Seatown Road, Swords, County Dublin - Ireland
Tel: (353) 1 810 7084, Fax: (353) 1 810 7085
ireland@invacare.com / www.invacare.ie

Italia:

Invacare Mecc San s.r.l., Via dei Pini 62, I-36016 Thiene (VI)
Tel: (39) 0445 38 00 59, Fax: (39) 0445 38 00 34
italia@invacare.com / www.invacare.it

Nederland:

Invacare BV, Celsiusstraat 46, NL-6716 BZ Ede
Tel: (31) (0)318 695 757, Fax: (31) (0)318 695 758
nederland@invacare.com, csede@invacare.com / www.invacare.nl

Norge:

Invacare AS, Grensesvingen 9, Postboks 6230, Etterstad, N-0603 Oslo
Tel: (47) (0)22 57 95 00, Fax: (47) (0)22 57 95 01
norway@invacare.com, island@invacare.com / www.invacare.no

Österreich:

Invacare Austria GmbH, Herzog Odilostrasse 101, A-5310 Mondsee
Tel: (43) 6232 5535 0, Fax: (43) 6232 5535 4
info-austria@invacare.com / www.invacare.at

Portugal:

Invacare Lda, Rua Estrada Velha, 949, P-4465-784 Leça do Balio
Tel: (351) (0)225 1059 46/47, Fax: (351) (0)225 1057 39
portugal@invacare.com / www.invacare.pt

Sverige & Suomi:

Invacare AB, Fagerstagatan 9, S-163 91 Spånga
Tel: (46) (0)8 761 70 90, Fax: (46) (0)8 761 81 08
sweden@invacare.com, finland@invacare.com / www.invacare.se

Switzerland:

Invacare AG, Benkenstrasse 260, CH-4108 Witterswil
Tel: (41) (0)61 487 70 80, Fax: (41) (0)61 487 70 81
switzerland@invacare.com / www.invacare.ch

United Kingdom:

Invacare Limited, Pencoed Technology Park, Pencoed, Bridgend CF35 5AQ
Switchboard Tel: (44) (0)1656 776200, Fax: (44) (0)1656 776201
Customer services Tel: (44) (0)1656 776222, Fax: (44) (0)1656 776220
uk@invacare.com / www.invacare.co.uk