

# *Spare Parts Catalogue*

---

Version: 2018/02/21a EN



*Invacare*<sup>®</sup> **LEO**



**Yes, you can.®**

## **General Information**

*For any order of spare parts the following information is required:*

- Product type*
- Product name & model*
- Serial Number*
- Part-Number*
- Part-Description*

*Exploded view drawings and code numbers are not contractual and subject to modification, in relation to Invacare® continuous product improvement policy to meet end users needs.*

*The reproduction or use of this work, or of any substantial part of this work, in any form or by any electronic, mechanical or other means, including photocopying, scanning and recording, and in any information storage and retrieval system, including electronic transmission, is forbidden without the prior written permission of Invacare® International Sarl.*



Yes, you can.®

## TABLE OF CONTENTS

---

### Information

User Manuals Leo .....	5
------------------------	---

### Chassis & Shrouds

Front (4-Wheel) .....	6
Front (3-Wheel) .....	7
Rear .....	8

### Seat

Seat Unit .....	9
-----------------	---

### Front Wheels & Lower Steering

Front Wheels & Axis (4-Wheel) .....	10
Wheel/Fork 3-Wheel .....	11

### Rear Wheels & Propulsion

Rear Wheels & Propulsion .....	12
--------------------------------	----

### Control Electronics & Upper Steering

Steering Unit ==> 02/14 .....	13
Steering Unit 02/14 ==> .....	14
Steering Unit, Details .....	15
Steering Unit, Details .....	15
Programming-Kit .....	16

### Batteries, cables & charger

Batteries .....	17
Cables & Charger .....	18

### Safety Options

Front Light Unit .....	19
Rear Light Unit .....	20

### Others Options & Accessories

Accessories .....	21
Storage box rear bracket .....	22
Rollator bracket .....	23
Veltop Rain- & Suncover => 2016-08-15 .....	24



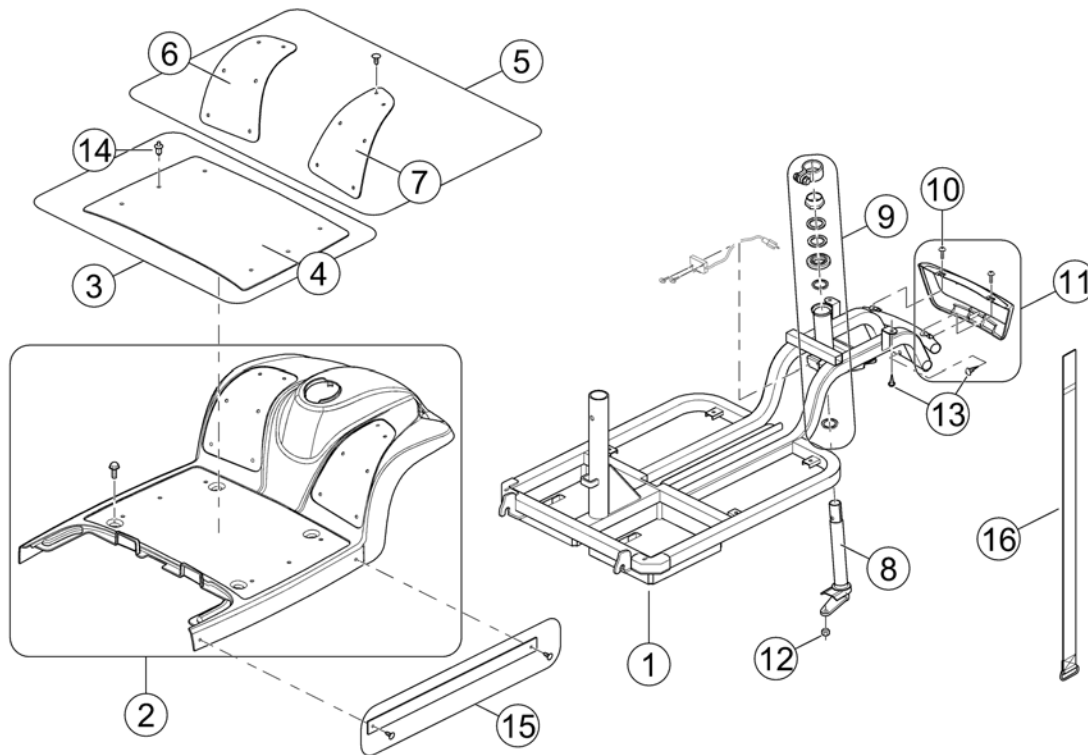
languages.iso

BG	Български	FR	Français	NL	Nederlands	SL	Slovenščina
CS	Čeština	HE	עברית	NO	Norsk	SV	Svenska
DA	Dansk	HR	Hrvatski	PL	Polski	UK	Українська
DE	Deutsch	HU	Magyar	PT	Português		
EN	English	IT	Italiano	RU	Русский		
ES	Español	JA	日本語	RO	Română		
ET	Eesti	LV	Latviešu	SA	العربية		
FI	Suomi	LT	Lietuvių	SK	Slovenčina		

Pos.	Part number	Description	Valid from → until	Qty
BG	1546030	User Manual Leo Bulgarian		1
CS	1510579	User Manual Leo Czech		1
DA	1506973	User Manual Leo Danish		1
DE	1505501	User Manual Leo German		1
EN	1506942	User Manual Leo English		1
ES	1506944	User Manual Leo Spanish		1
ET	1510843	User Manual Leo Estonian		1
FI	1527871	User Manual Leo Finsk		1
FR	1506943	User Manual Leo French		1
HR	1510612	User Manual Leo Croatian		1
HU	1522408	User Manual Leo Hungarian		1
IT	1506972	User Manual Leo Italian		1
LT	1510613	User Manual Leo Lithuanian		1
NL	1506975	User Manual Leo Dutch		1
PL	1510580	User Manual Leo Polish		1
PT	1506945	User Manual Leo Portuguese		1
RO	SP1534853	User Manual Leo Romanian		1
SL	1509984	User Manual Leo Slovenian		1
SV	1506974	User Manual Leo Swedish		1
UK	SP1579824	User Manual Leo Ukrainian		1

# Front (4-Wheel)

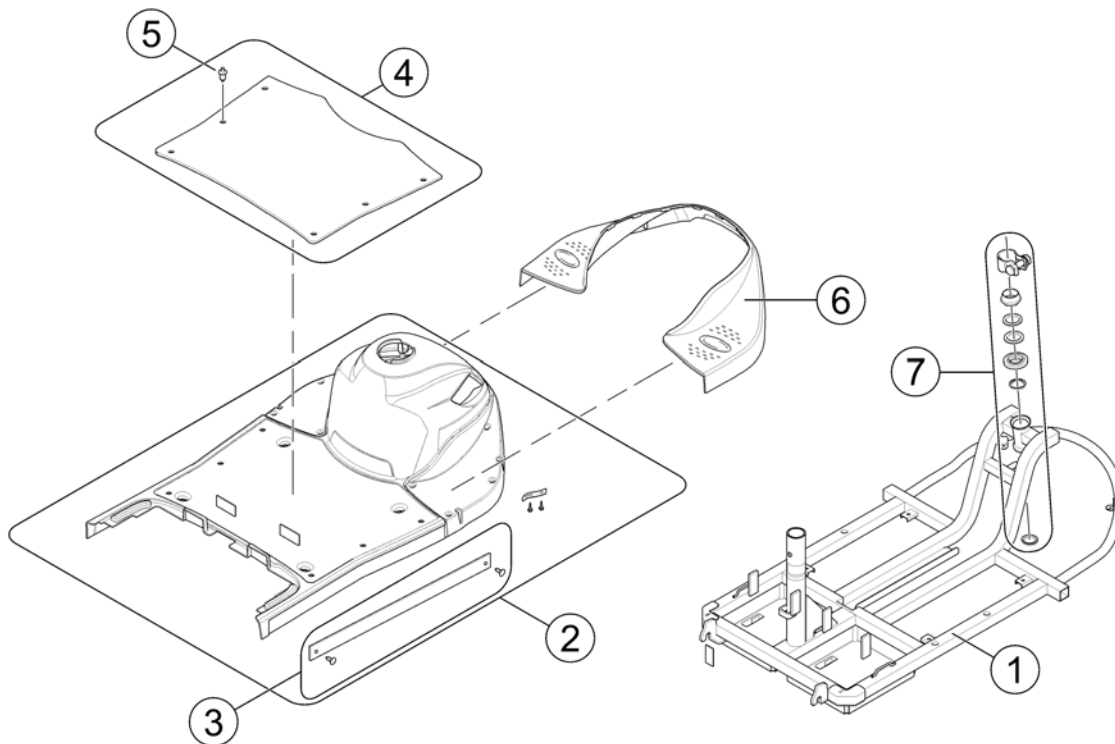
1506160.00



Pos.	Part number	Description	Valid from → until	Qty
	SP1523463	Touch-up Paint - Sapphire Blue		1
	SP1523462	Touch-up Paint - Onyx Blue		1
	SP1523450	Touch-up Paint - Moonstone Silver		1
	SP1589181	Touch-up Paint - Ruby Red		1
1	1505485	Front Frame		1
2	1506162	Front Shroud - sapphire blue (EU)		1
2	SP1540345	Front Shroud Assembly, cpl. (with EU lights & side bumpers) - onyx blue		1
2	1505884	Front Shroud Assembly, cpl. (with EU lights & side bumpers) - moonstone silver		1
2	SP1515264	Front Shroud Assembly, cpl. (DE only, with turn signals only & side bumpers) - moonstone silver		1
2	SP1637504	Front Shroud Assembly, cpl. (with EU lights & side bumpers) - ruby red		1
2	SP1585428	Front Shroud Assembly, cpl. (DE only, with turn signals & side bumpers) - ruby red		1
3	1506160	Pad, Leg Shield, cpl.		1
4	1505475	Pad, Leg Shield		1
5	1506161	Pad, Front LH + RH		1
6	1505477	Pad, Front L		1
7	1505478	Pad, Front R		1
8	1505486	Bar Assembly		1
9	SP1505487	Bearing Kit		1
10	1505494	Bolt (M4x10)		1
11	1506187	Cover, Bumper Front, Cpl.		1
12	1505392	Nylon Nut		1
13	1505418	Tapping Screw (4x12)		1
14	1505476	Push Rivet, Pad		1
15	-	No longer available.		0
16	1505482	Band, Battery Comp.		1

# Front (3-Wheel)

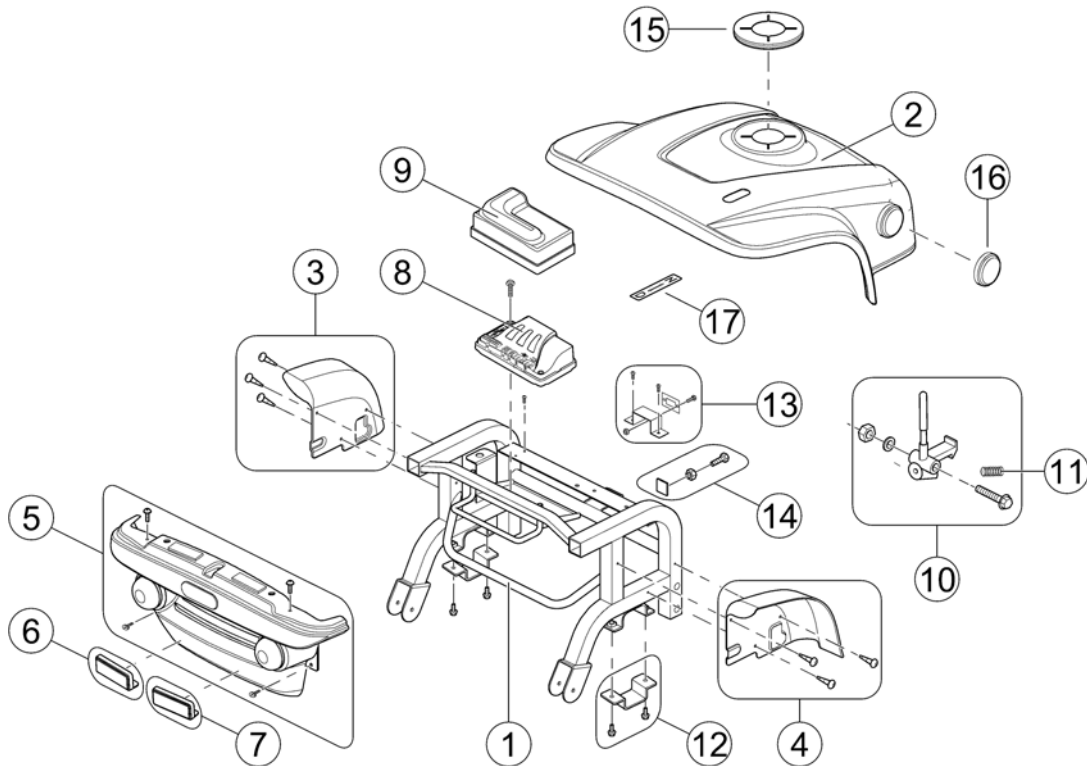
1547583X.060



Pos.	Part number	Description	Valid from → until	Qty
	SP1523462	Touch-up Paint - Onyx Blue		1
	SP1523450	Touch-up Paint - Moonstone Silver		1
1	SP1547583	Frame 3-Wheel		1
2	SP1547585	Front Shroud Assy 3-Wheel, cpl. - onyx blue		1
2	SP1547584	Front Shroud Assy 3-Wheel, cpl. - silver		1
3	-	No longer available.		1
4	SP1547589	Foot Mat, cpl.		1
5	SP1505476	Push Rivets (Kit of 8 pcs)		1
6	SP1547590	Front Cover 3-Wheel		1
7	SP1505487	Bearing Kit		1

# Rear

1505505 iso

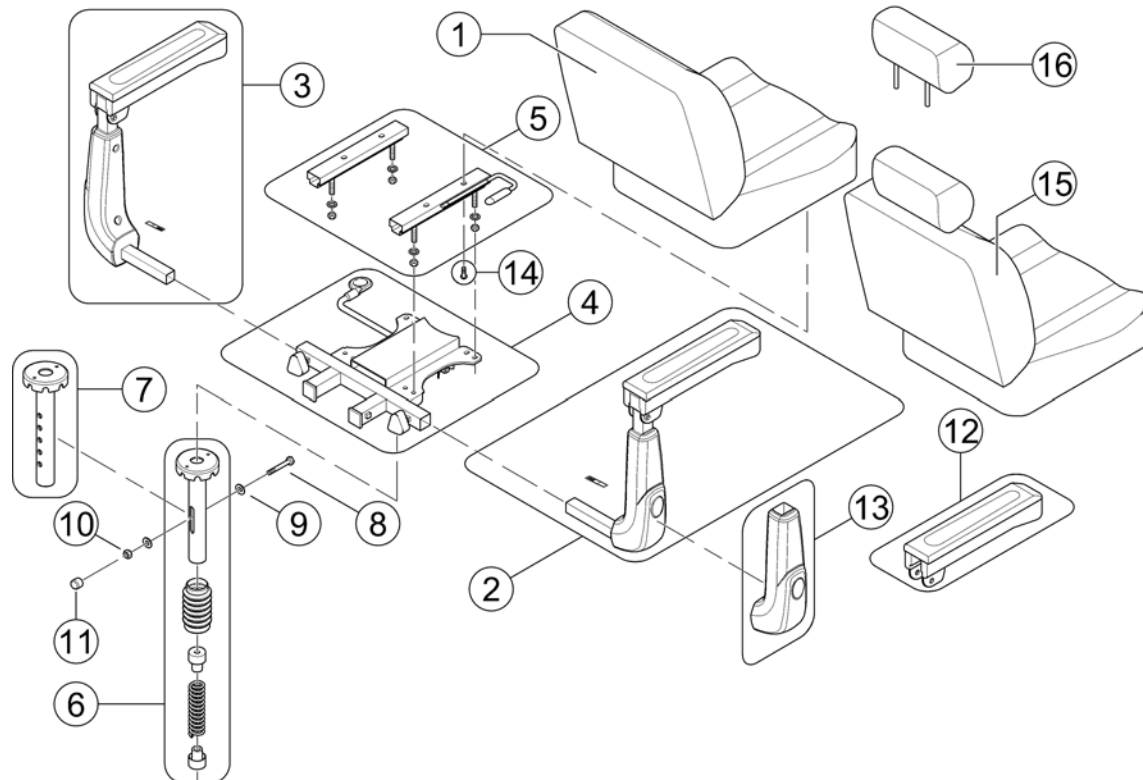


Pos.	Part number	Description	Valid from → until	Qty
1	1505505	Rear Chassis, cpl.		1
2	1505506	Rear Shroud, cpl. - blue		1
2	SP1540347	Rear Shroud, cpl. - onxy blue		1
2	1505885	Rear Shroud, cpl. - silver		1
2	SP1545458	Rear Shroud, cpl. - ruby red		1
3	1506234	Fender LH, cpl.		1
4	1506235	Fender RH, cpl.		1
5	1505523	Rear Bumper Cover, cpl.		1
5	SP1515268	Rear Bumper Cover, cpl. (German-Leo only)		1
6	SP1515282	Reflector Assy, LH (German-Leo only)		1
7	SP1515269	Reflector Assy, RH (German-Leo only)		1
8	1505508	Powermodule, Rhino, 90A, DR90-A01		1
9	1505507	Cable Cover for Powermodule		1
10	1506277	Unlock Lever, cpl.		1
11	1505515	Spring		1
12	SP1515286	Transaxle Clamp, cpl. - single		1
12	1506255	Transaxle Clamps (cpl. kit) - 6-12 km/h		1
13	1506285	P.C. Board, cpl.		1
14	1506286	Vel-Cro (32L), cpl.		1
15	1505524	Cover, Seat Bracket		1
16	1505525	Reflector, orange (with E-mark)		2
17	1505530	Sticker, Change Lever		1



## Seat Unit

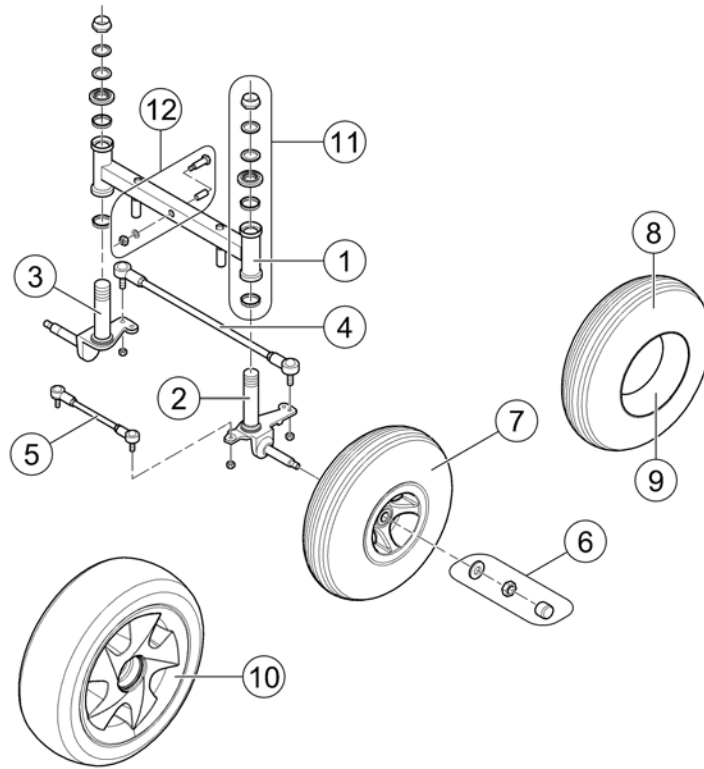
1505531.iss



Pos.	Part number	Description	Valid from → until	Qty
1	SP1578946	Seat (black with white stitching)		1
2	1506314	Handrail bracket, cpl. - RH		1
3	1506313	Handrail bracket, cpl. - LH		1
4	1505533	Seatbracket Assembly Standard Seat		1
5	1505532	Slide Assembly		1
6	SP1541627	Seat Suspension low - Seat height 510mm, ST30		1
6	SP1541628	Seat Suspension mid - Seat height 535mm, ST30		1
6	SP1541629	Seat Suspension high - Seat height 560mm, ST30		1
7	SP1505586	Holder, Guide		1
8	1505587	Bolt (M10x55)		1
9	1505588	Washer		1
10	1505589	Nylon Nut		1
11	SP1505594	Cap		1
12	1509683	Rest, Handrail		1
13	1509682	Cover, Armrest LH/RH		1
14	1505534	Bolt, Slide (M8x15)		1
15	SP1602196	Seat with headrest (black with white stitching) - DE only		1
16	SP1605427	Headrest - DE only		1

Invacare® Leo | Front Wheels & Lower Steering  
**Front Wheels & Axis (4-Wheel)**

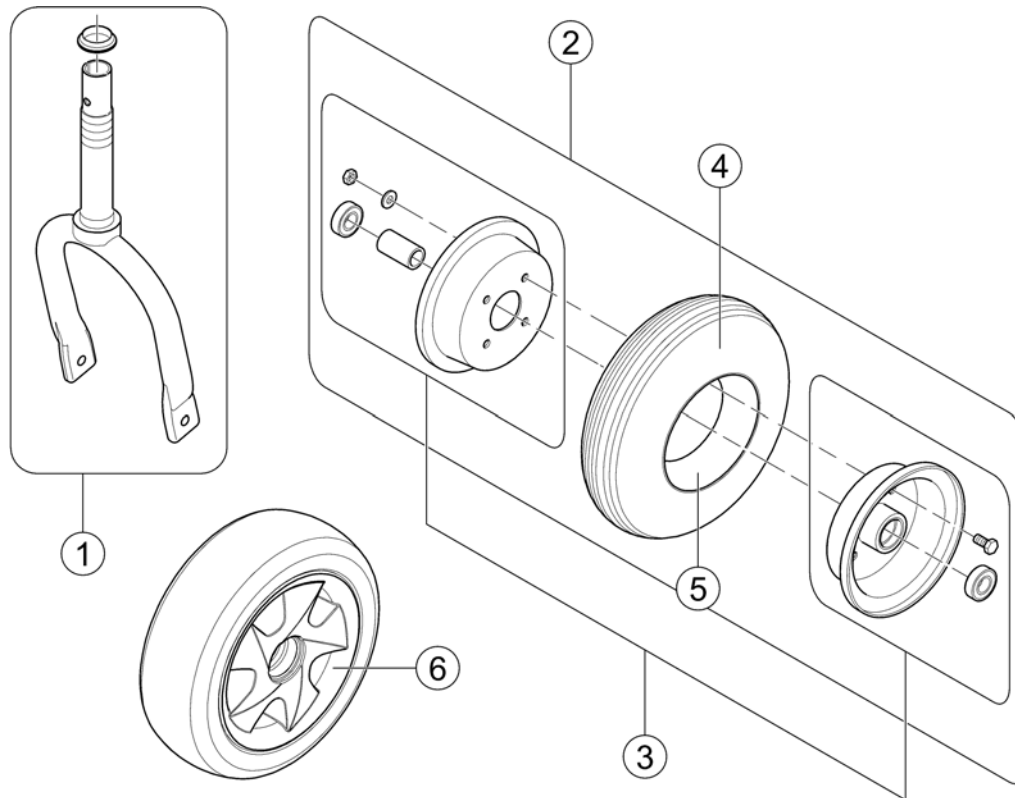
1505592.kim



Pos.	Part number	Description	Valid from → until	Qty
1	SP1528859	Swingarm		1
2	1506316	FRONT AXLE RH, CPL. Leo		1
3	1506317	Front Axle LH, Cpl.		1
4	SP1533204	Front rod assembly		1
5	SP1533205	Rear rod assembly		1
6	SP1557460	Mounting Kit, Frontwheel		1
7	1505592	Front Wheel Assy 3.00x4", pneumatic, grey (4-Wheel)		1
7	SP1578947	Front Wheel 3.00x4", pneumatic, black (4-Wheel)		1
8	1505590	Tyre 3.00x4", grey		1
8	SP1578949	Tire 3.00x4", black		1
9	1515289	Tube 3.00x4"		1
10	SP1543156	Front Wheel 10" PU, puncture protected (4-Wheel)		1
11	SP1505487	Bearing Kit		1
12	SP1563328	Suspension arm fixation		1

## Wheel/Fork 3-Wheel

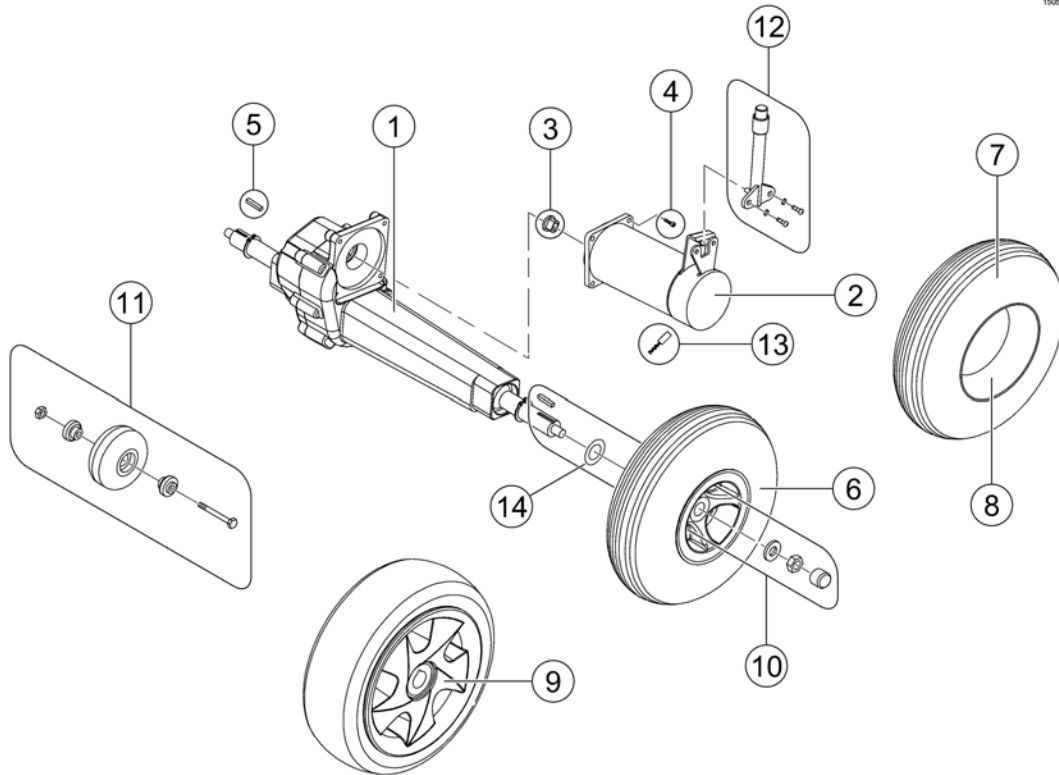
1547307X.iss



Pos.	Part number	Description	Valid from → until	Qty
1	SP1547307	Fork, cpl.		1
2	SP1547308	Front Wheel Assy 3.00x4", pneumatic, grey (3-Wheel)		1
3	SP1547582	Rim 3-Wheel, cpl.		1
4	1505590	Tyre 3.00x4", grey		1
4	SP1578949	Tire 3.00x4", black		1
5	1515289	Tube 3.00x4"		1
6	SP1543157	Front Wheel 10" PU, puncture protected (3-Wheel)		1

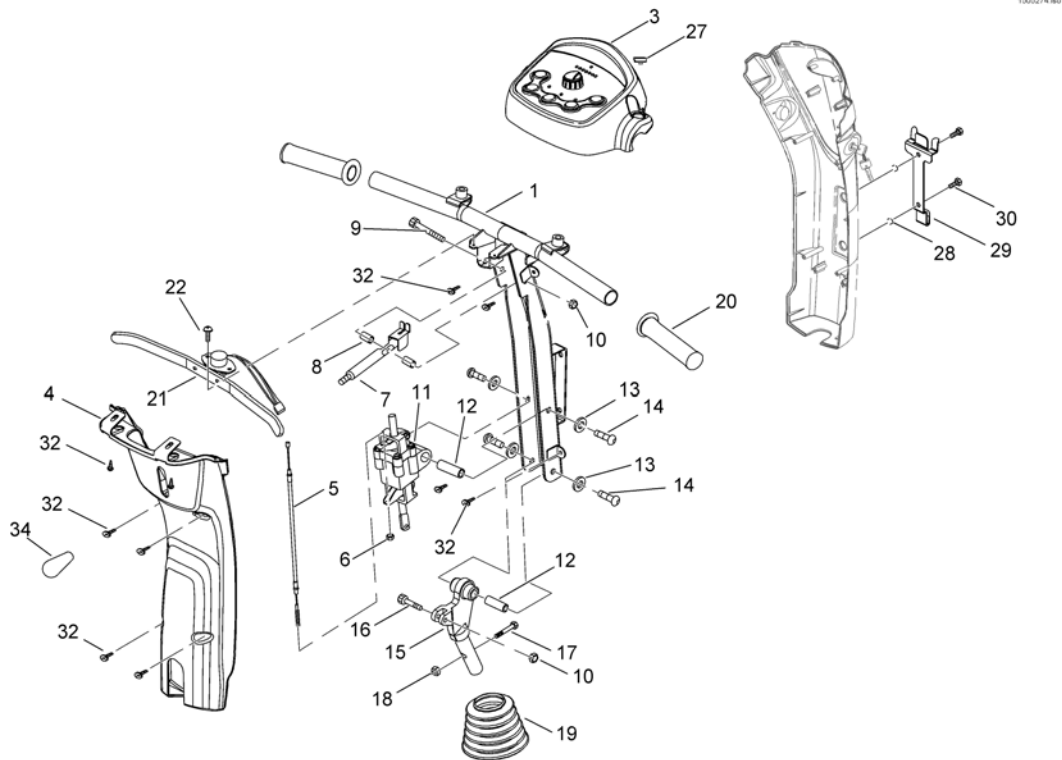
# Rear Wheels & Propulsion

1505616.kso



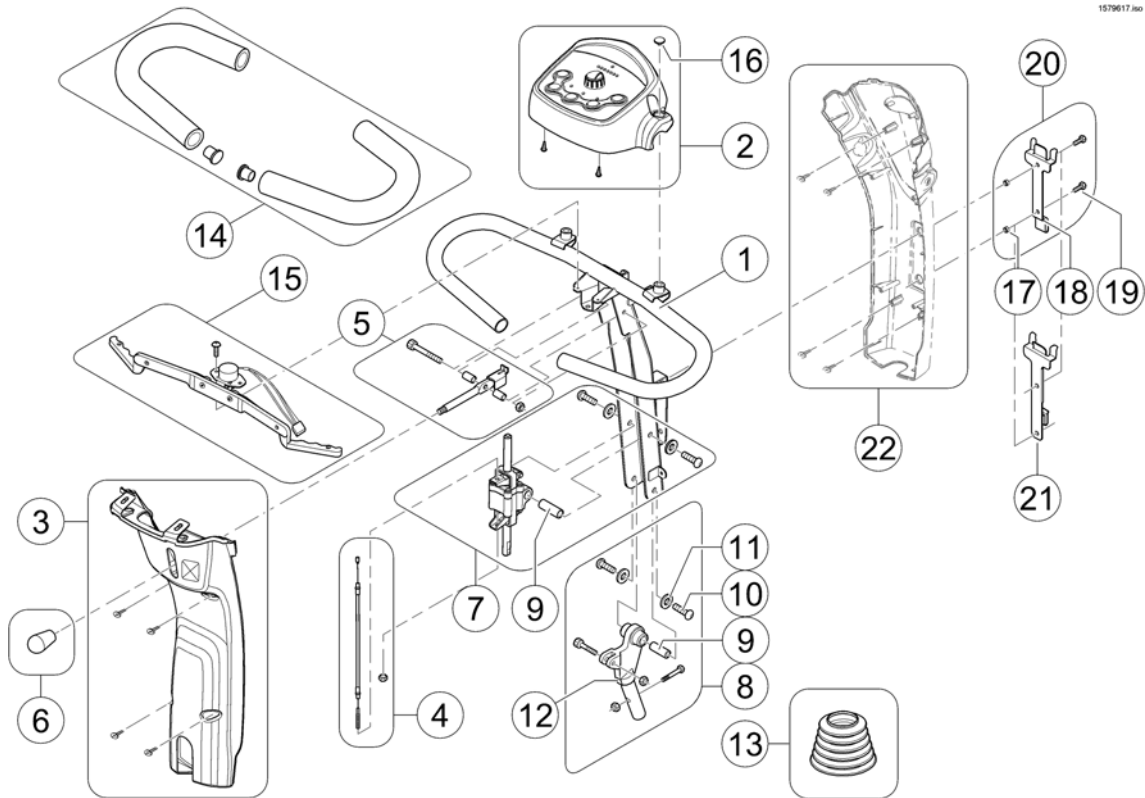
Pos.	Part number	Description	Valid from → until	Qty
-	SP1588467	Motor Brake - Leo		1
1	1505616	Differential Comp.		1
2	1505617	Motor Assembly		1
3	1505667	Guide		1
4	1505668	Bolt, Motor (M6x20)		1
5	1505669	Key 5x30		1
6	1505675	Rear Wheel Assy 3.00x4", pneumatic, grey		1
6	SP1578948	Rear Wheel Assy 3.00x4", pneumatic, black		1
7	1505590	Tyre 3.00x4", grey		1
7	SP1578949	Tire 3.00x4", black		1
8	1515289	Tube 3.00x4"		1
9	SP1543155	Solid Tyre Wheel 10 inch Rear wheel Leo		1
10	SP1557459	Mounting Kit, Rear Wheel		1
11	1506319	Wheel, Anti-Tipper, cpl.		1
12	1506318	Disclutching Lever with mounting hardware		1
13	SP1534599	Carbon Brushes		1
-	SP1587598	Brush Cap Set		1
14	SP1505670	Plane Washer (10 pcs.) <i>To reduce gap between motor shaft and wheel</i>		1

# Steering Unit ==> 02/14



Pos.	Part number	Description	Valid from → until	Qty
1	1505274	Steering Blue Comp.	→ 2014-02-02	1
3,32,2 7	1505950	Cover, Steering Upper Assembly, Cpl		1
4,32	1505925	Cover, Steering Rear Assembly, Cpl.		1
32	1505418	Tapping Screw (4x12)		1
5,6	1505917	Bolt, Joint (M6x50)		1
7-10	1505915	Handle, Cmpl.		1
34	1505416	Handle		1
10,12- 18	1505923	Steering Adj Assembly Cpl.		1
11-14	1505916	Cable Comp.		1
12	1505280	Collar		1
13	1505281	Plane Washer		1
14	1505294	Bolt M8x20		1
15	1505297	Joint B, Steering Adj Lower		1
19	SP1505401	Cover, Steering		1
20	1505415	Grip, Handle Bar	→ 2014-02-02	1
21,22	1506151	Starter Assembly, Cpl.	→ 2014-02-02	1
27	1505420	Rubber		1
28-30	1505924	Bracket, Front Basket, cpl.		1
28	1505403	Washer		1
29	1505407	Bracket, Front Basket		1
30	1505408	Bolt (M4x12)		1

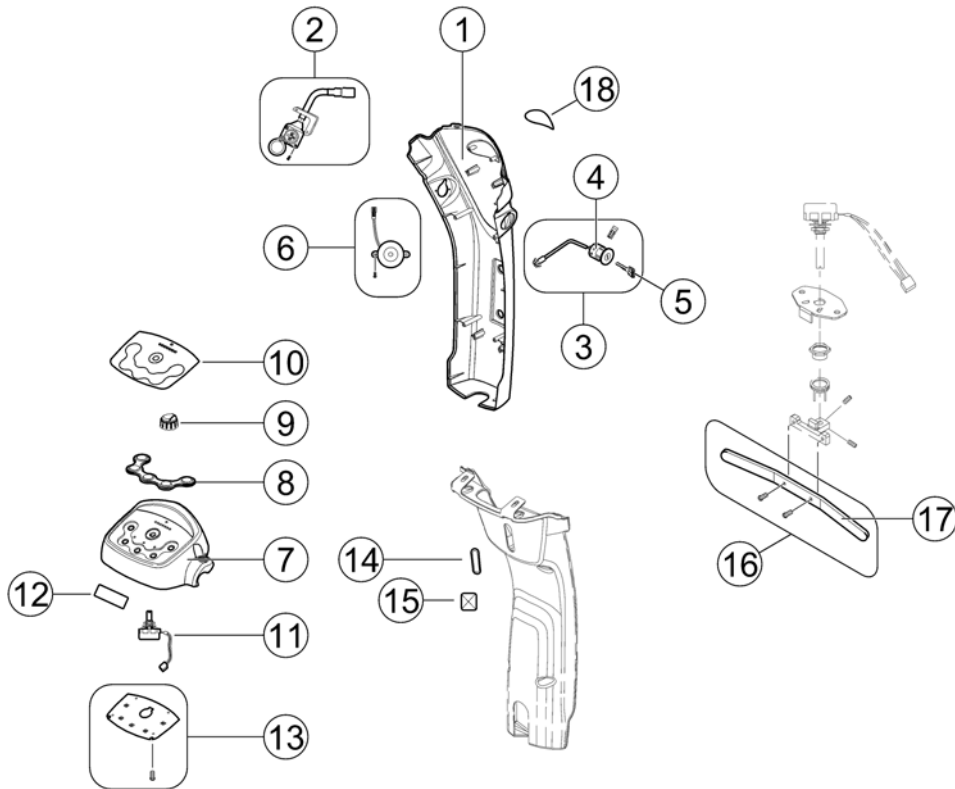
# Steering Unit 02/14 ==>



Pos.	Part number	Description	Valid from → until	Qty
1	SP1578595	Steering Bar		1
2	1505950	Cover, Steering Upper Assembly, Cpl		1
3	1505925	Cover, Steering Rear Assembly, Cpl.		1
4	1505917	Bolt, Joint (M6x50)		1
5	1505915	Handle, Cmpl.		1
6	1505416	Handle		1
7	1505916	Cable Comp.		1
8	1505923	Steering Adj Assembly Cpl.		1
9	1505280	Collar		1
10	1505294	Bolt M8x20		1
11	1505281	Plane Washer		1
12	1505297	Joint B, Steering Adj Lower		1
13	SP1505401	Cover, Steering		1
14	SP1578611	Handle Bar Grip, cpl.		1
15	SP1578922	Wig Wag (incl Poti), cpl.		1
16	1505420	Rubber		1
17	1505403	Washer		1
18	1505407	Bracket, Front Basket		1
19	1505408	Bolt (M4x12)		1
20	1505924	Bracket, Front Basket, cpl.		1
21	SP1579632	Bracket, Front Basket (German Leo / Kassen Scooter) <i>replaces SP1578953</i>	2014-07-30 →	1
22	-	Steering Unit, Details		0

# Steering Unit, Details

1505450.000



Pos.	Part number	Description	Valid from → until	Qty
1	1508500	Steering Cover, Front - blue		1
1	SP1540344	Steering Cover, Front - onyx blue		1
1	1505858	Steering Cover, Front - silver		1
1	SP1545456	Steering Cover, Front - ruby red (4-Wheel only)		1
2	1506152	Charger Socket, incl. wire		1
3	SP1543154	Personal Key Cylinder + 2 Keys		1
4	1505451	Key Cylinder (Standard)		1
5	SP1530211	Key, set of 2 (Standard)		1
6	1506153	Buzzer, cpl.		1
7	1505458	Upper Steering Cover		1
8	1505459	Rubber Keys		1
9	1505460	Knob, Speed Control		1
10	1505461	Sticker, Upper Steering Cover		1
11	1505462	Variable Resistor 30KOhm, cpl.		1
12	1505463	Warning Sticker		1
13	1506154	P.C. Board, cpl.		1
14	1505473	Plug		1
15	1505474	Warning Sticker "No bag..."		1
16	SP1536173	Start Lever, cpl. ==> 02/14	→ 2014-02-02	1
17	1506155	Start Lever ==> 02/14	→ 2014-02-02	1
18	1505455	Invacare Sticker		1

# Programming-Kit

1505733 iso



Pos.	Part number	Description	Valid from → until	Qty
-	1449280	USW wizard dongle kit, EDL-USW, cpl.		1
1	1505733	Programmer Kit		1



# Batteries

Product Name	Capacity (Ah)															
	1,2	12	30	31	35	36	38	40	40	50	50	50,9	60	70/73,6	75	97,6
Dragon										10			13			
Dragon Vertic													13			
FDX													13			
G50													13	14		16
Kite													13	14		
Mirage				4				8								
Mistral				4								12				
P900XDT					5											
Spectra Blitz								8				12				
Spectra Comfort							7									
Spectra Plus							7									
Storm3										10			13	14		
Storm3 True Track	1													14		
Storm3 Vertic														14		
Storm4 Max														14		
Stream										10			13			
TDX-SP <small>⇒ 2015/08/31</small>														14		
TDX-SP NB <small>⇒ 2015/08/31</small>												12				
Tiger										10			13			
Typhoon II	1												13			
Comet														14	15	
Leo						6			9							
Lynx		2														
Orion											11					
Length (mm)	97	152	197	196	211	196	210	197	198	198	198	238	259	260	260	329
Width (mm)	49	99	132	132	132	130	175	168	165	166	165	140	169	171	168	171
Height (mm)	51	102	180	183	183	179	175	175	171	176	170	235	178	210	223	238
Weight (kg)	0,6	3,9	11,1	10,5	11	12	14,6	14,4	14,2	14	16	17,1	19,3	24,3	26	32,5

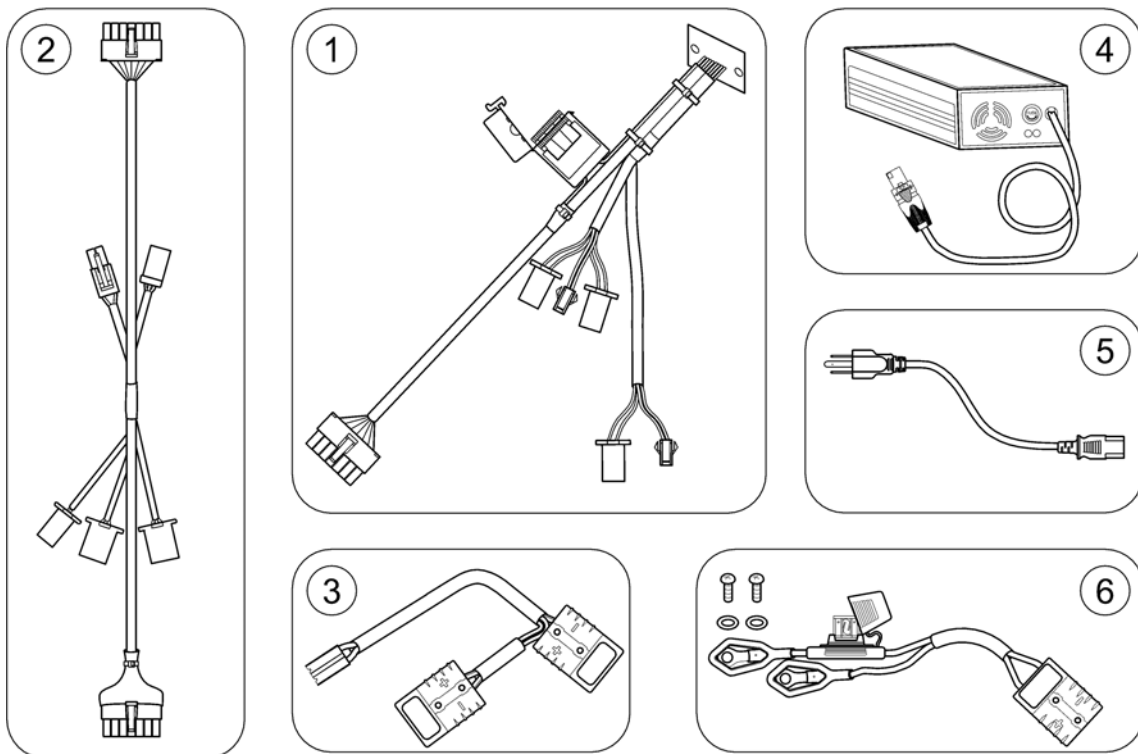


Batterys.iso

Pos.	Part number	Description	Valid from → until	Qty
-		Not listed products have their own battery page!		1
!	-	Important advice! Replace batteries in pairs. Never mix: manufactures, date codes or technologies (Gel with AGM batteries)		1
1	1440386	Battery, 12V/1,2Ah C20, GEL		1
2	SP1506493	Battery, 12V/12Ah, AGM		1
4	P50029	Battery, 12V/31Ah C20, GEL		1
5	SP1521459	Battery, 12V/34Ah C20, AGM		1
6	1505498	Battery, 12V/36Ah C20, AGM		1
7	P50028	Battery, 12V/38Ah C20, GEL (UK & DK only)		1
8	PG50988	Battery, 12V/40Ah C20, GEL		1
9	SP1550692	Battery, 12V/40Ah C20, AGM		1
10	SP1637564	Batteries, 12V/50Ah C20, AGM - matched pair <i>Always replace with matched pair only!</i>		1
11	SP1521695	Battery, 12V/50Ah C20, AGM		1
12	PG50989	Battery, 12V/50,9Ah C20, GEL		1
13	1432944	Battery, 12V/60Ah C20, GEL		1
14	P50016	Battery, 12V/70-73,6 Ah C20, Gel		1
15	SP1522026	Battery, 12V/75Ah C20, AGM		1
16	1478675	Battery, 12V/97,6Ah C20, GEL		1

## Cables & Charger

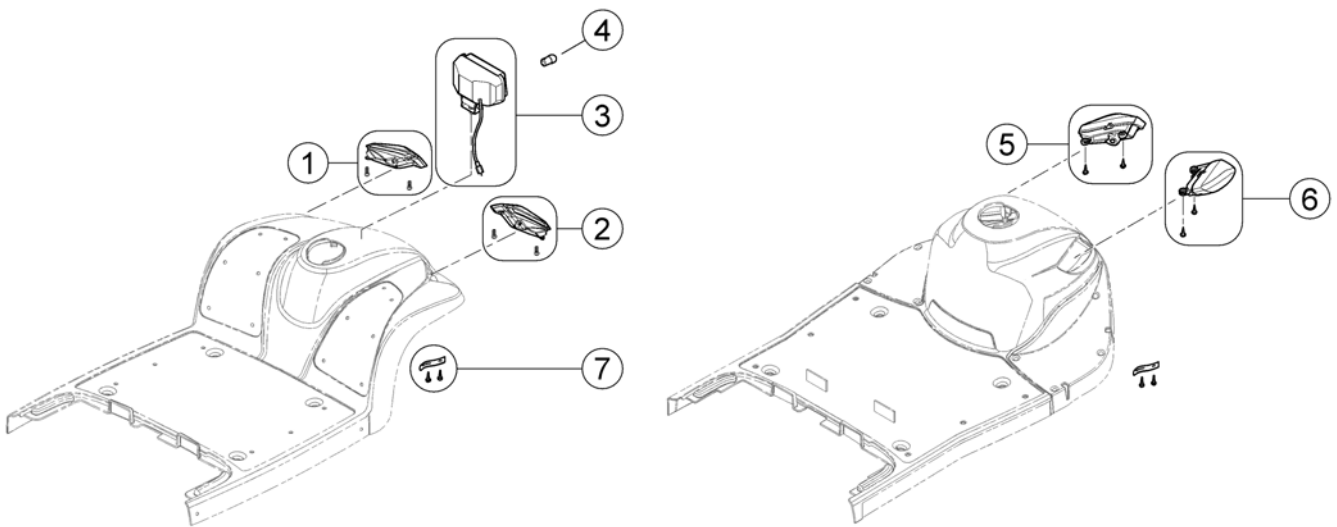
1505409 iso



Pos.	Part number	Description	Valid from → until	Qty
1	1505516	Wire Harness, Rear Section	→ 2014-02-02	1
1	SP1578924	Rear Wire Harness	2014-02-03 →	1
-	SP1578945	EMI Cores	2014-02-03 →	1
2	1505402	Main Wire Harness		1
2	SP1537253	Main Wire Harness, for external headlight		1
3	SP1578944	Battery connector cable		1
4	SP1578923	Charger 5A		1
5	P21079	Power Cord EU (IEC 60210-C13 / CEE 7/7 Type F 'Schuko')		1
5	P21080	Power Cord UK (IEC 60320-C13 / BS 1363 Type G)		1
6	1505499	Battery cable		1

# Front Light Unit

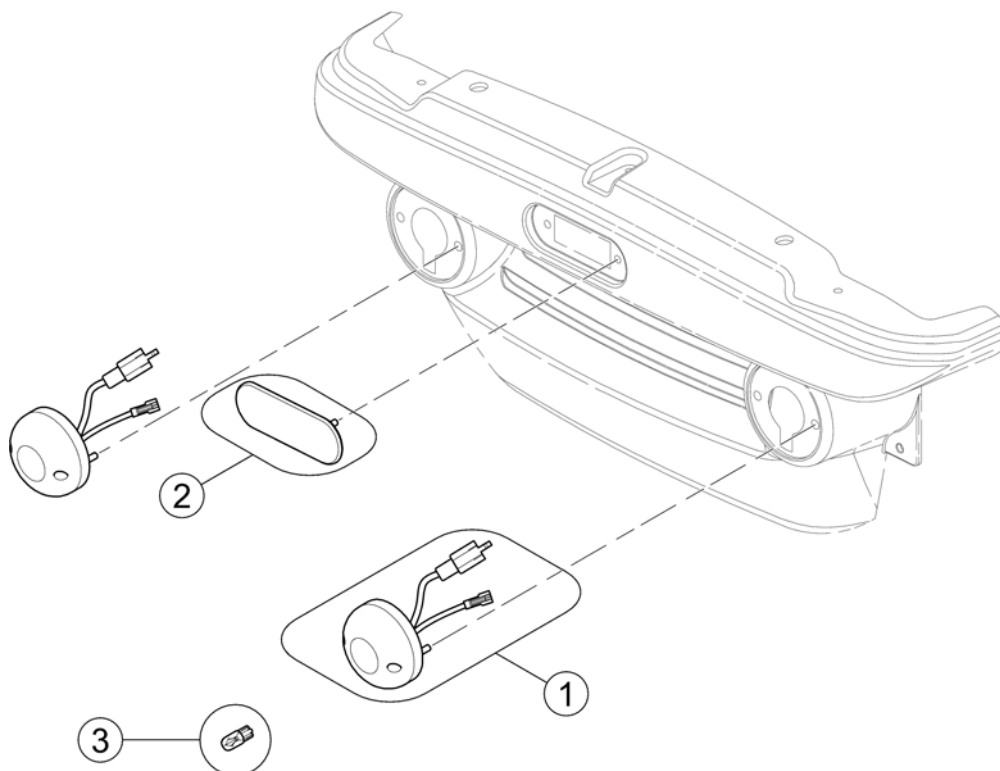
1506188.00



Pos.	Part number	Description	Valid from → until	Qty
1	1506188	Headlight & Turn Signal LH, cpl.		1
1	SP1515287	Turn Light LH, cpl. (German-Leo only)		1
2	1506189	Headlight & Turn Signal RH, cpl.		1
2	SP1515288	Turn Light RH, cpl. (German-Leo only)		1
3	SP1515266	Front Light (Only German-Leo)		1
4	1521694	Light Bulb 24V/9W		1
5	SP1547588	Headlamp with Turn Signal, LH		1
6	SP1547587	Headlamp with Turn Signal, RH		1
7	1506212	Cable Clamp, cpl.		1

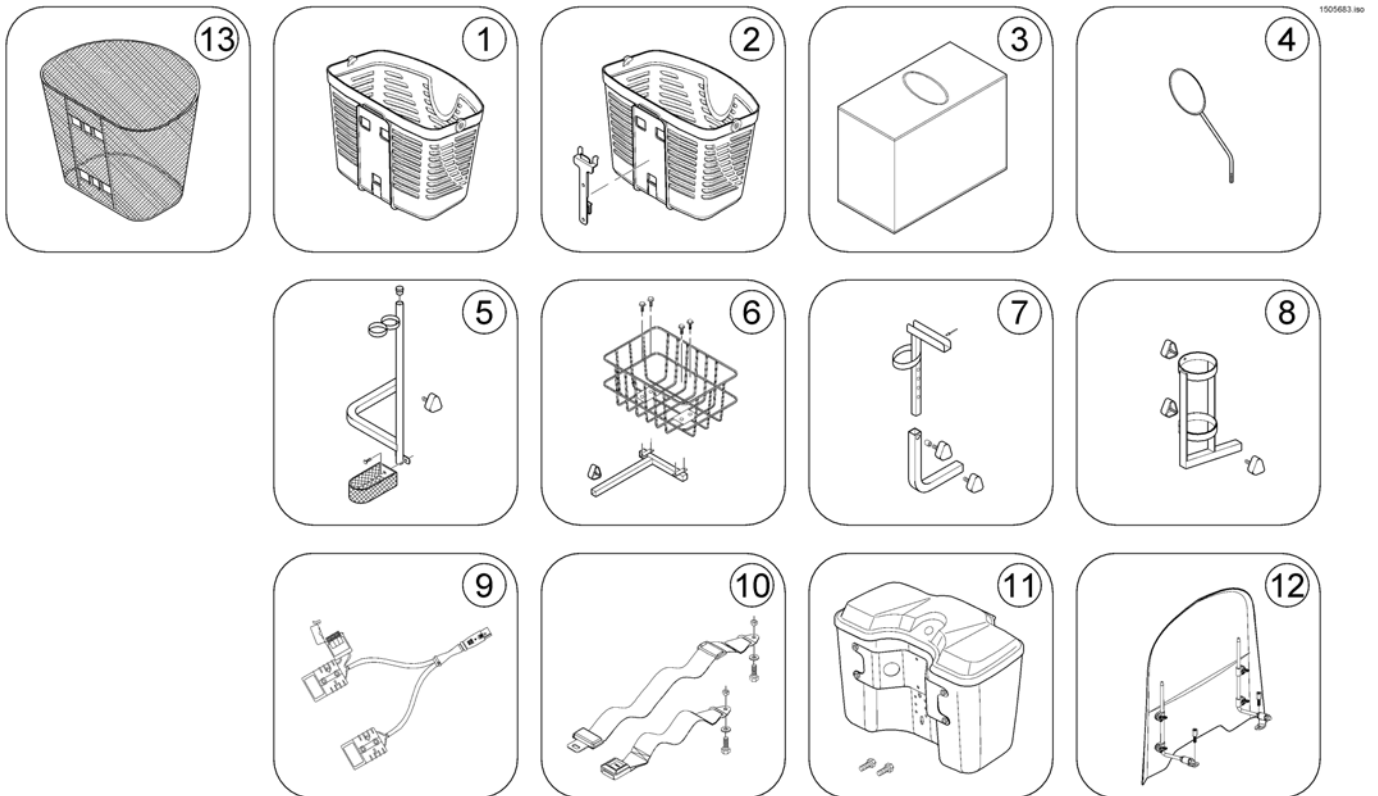
# Rear Light Unit

1505524.iso



Pos.	Part number	Description	Valid from → until	Qty
1	1505526	Rear Light & Turn Signal LH/RH		1
2	1505528	Rear Stoplight		1
3	1505527	Bulb 24V/5W		1

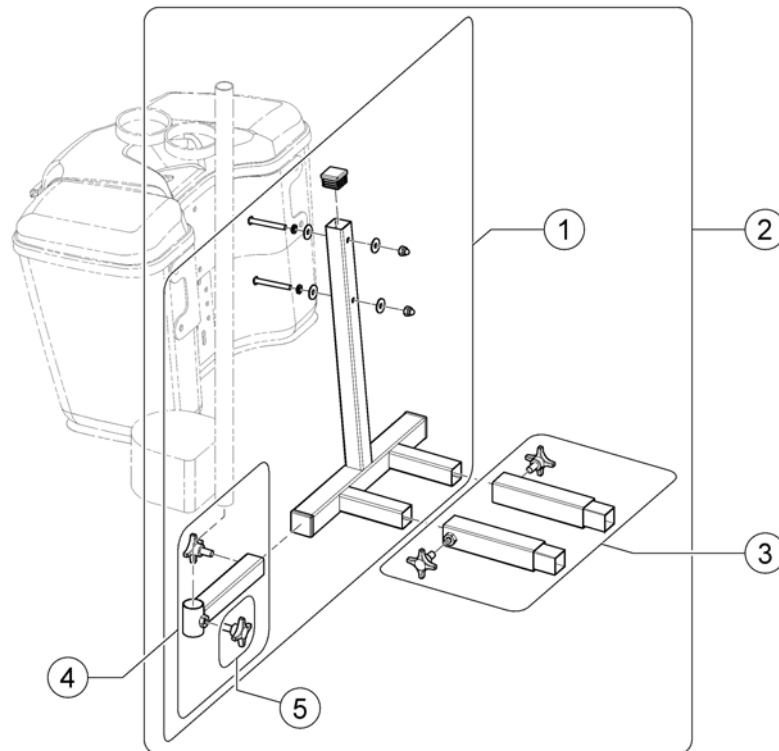
## Accessories



Pos.	Part number	Description	Valid from → until	Qty
13	-	No longer available - please refer to Replacement Info for which part is to be used instead. <i>SP1584263</i>	→ 2014-02-02	0
1	SP1577430	Front Basket <i>replaces 1505414</i>	2014-02-03 →	1
2	SP1584263	Retrofit-Kit, Basket & Bracket (Leo German / Kassen Scooter) <i>replaces 1505414/SP1578952 &amp; SP1578953</i>	2014-02-03 →	1
3	SP1509434	Storage Cover		1
4	SP1518241	Rear-view Mirror LH/RH, black <i>replaces SP1505683 Mirror chrome</i>		1
5	SP1528274	Crutchholder, cpl.		1
6	SP1505727	Rear Basket, cpl.		1
7	SP1505728	Walking Frame Holder, cpl.		1
8	SP1572971	Oxygen Bottle Holder, cpl.		1
9	SP1641609	Off board charging cable V0		1
10	SP1509362	Lap Belt, with 'Auto Lock'		1
11	SP1505732	Lockable Storage Box - blue		1
11	SP1521661	Lockable Storage Box - onyx blue		1
11	SP1521595	Lockable Storage Box - silver		1
11	SP1551638	Lockable Storage Box - ruby red		1
11	SP1604572	Lockable Front Storage Box - silver (DE only!)		1
11	SP1604597	Lockable Front Storage Box - ruby red (DE only!)		1
12	SP1543160	Windscreen		1

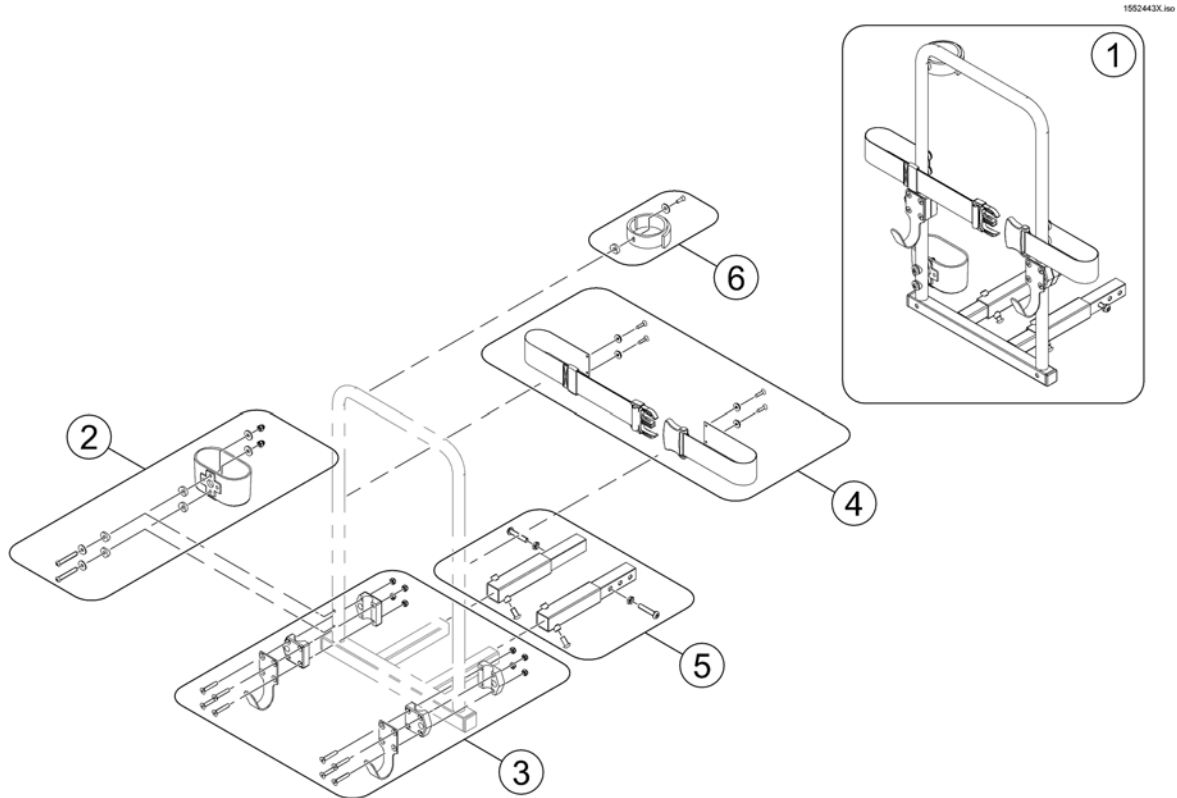
## Storage box rear bracket

1552537X.00



Pos.	Part number	Description	Valid from → until	Qty
1	SP1552536	Rear bracket for Storage box (Leo)		1
2	SP1552537	Rear bracket for Storage Box (incl. Extension Tubes for Comet/Orion)		1
3	SP1552594	Extension tubes (Comet/Orion)		1
4	SP1553854	Crutch holder bracket		1
5	5824117	hand wheel M8x15		1

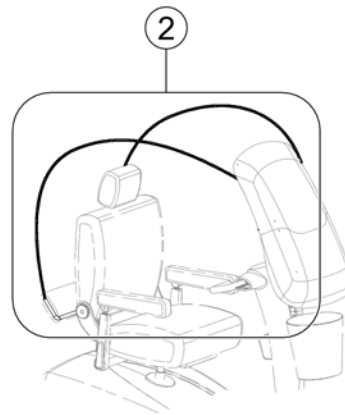
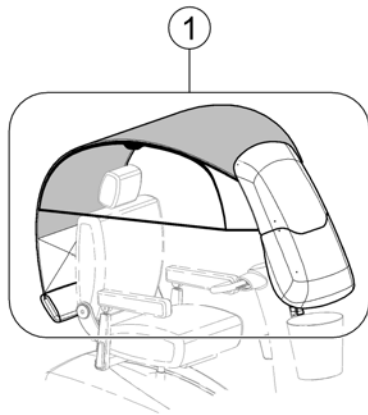
## Rollator bracket



Pos.	Part number	Description	Valid from → until	Qty
1	SP1553851	Rollator Holder		1
2	SP1560465	Cane peel, cpl.		1
3	SP1553890	Rollator hooks		1
4	SP1553891	Belt, cpl.		1
5	SP1552594	Extension tubes (Comet/Orion) <i>only needed for Orion &amp; Comet</i>		1
6	SP1640107	Strap, crutch holder, cpl.		1

# Veltop Rain- & Suncover => 2016-08-15

1579612.iss



Pos.	Part number	Description	Valid from → until	Qty
1	-	No longer available.		1
2	SP1572507	Fiber Rods for Rain- & Suncover		1
-	SP1587493	Rear Holder (KlickFix) <i>not shown</i>		1







Yes, you can.®



---

**Belgium & Luxemburg:**

Invacare nv, Autobaan 22, B-8210 Loppem  
Tel: (32) (0)50 83 10 10, Fax: (32) (0)50 83 10 11  
belgium@invacare.com / www.invacare.be

**Denmark:**

Invacare A/S, Sdr. Ringvej 37, DK-2605 Brøndby  
Tel: (45) (0)36 90 00 00, Fax: (45) (0)36 90 00 01  
denmark@invacare.com / www.invacare.dk

**Deutschland:**

Invacare Aquatec GmbH, Alemannenstraße 10, D-88316 Isny  
Tel: (49) (0)75 62 7 00 0, Fax: (49) (0)75 62 7 00 66  
info@invacare-aquatec.com / www.invacare-aquatec.de

**European Distributor Organisation:**

Invacare, Kleiststraße 49, D-32457 Porta Westfalica  
Tel: (49) (0)57 31 754 540, Fax: (49) (0)57 31 754 541  
edo@invacare.com / www.invacare.eu.com

**España:**

Invacare SA, c/Areny s/n, Polígon Industrial de Celrà, E-17460 Celrà (Girona)  
Tel: (34) (0)972 49 32 00, Fax: (34) (0)972 49 32 20  
contactsp@invacare.com / www.invacare.es

**France:**

Invacare Poirier SAS, Route de St Roch, F-37230 Fondettes  
Tel: (33) (0)2 47 62 64 66, Fax: (33) (0)2 47 42 12 24  
contactfr@invacare.com / www.invacare.fr

**Ireland:**

Invacare Ireland Ltd, Unit 5 Seatown Business Campus, Seatown Road, Swords, County Dublin - Ireland  
Tel: (353) 1 810 7084, Fax: (353) 1 810 7085  
ireland@invacare.com / www.invacare.ie

**Italia:**

Invacare Mecc San s.r.l., Via dei Pini 62, I-36016 Thiene (VI)  
Tel: (39) 0445 38 00 59, Fax: (39) 0445 38 00 34  
italia@invacare.com / www.invacare.it

**Nederland:**

Invacare BV, Celsiusstraat 46, NL-6716 BZ Ede  
Tel: (31) (0)318 695 757, Fax: (31) (0)318 695 758  
nederland@invacare.com, csede@invacare.com / www.invacare.nl

**Norge:**

Invacare AS, Grensesvingen 9, Postboks 6230, Etterstad, N-0603 Oslo  
Tel: (47) (0)22 57 95 00, Fax: (47) (0)22 57 95 01  
norway@invacare.com, island@invacare.com / www.invacare.no

**Österreich:**

Invacare Austria GmbH, Herzog Odilostrasse 101, A-5310 Mondsee  
Tel: (43) 6232 5535 0, Fax: (43) 6232 5535 4  
info-austria@invacare.com / www.invacare.at

**Portugal:**

Invacare Lda, Rua Estrada Velha, 949, P-4465-784 Leça do Balio  
Tel: (351) (0)225 1059 46/47, Fax: (351) (0)225 1057 39  
portugal@invacare.com / www.invacare.pt

**Sverige & Suomi:**

Invacare AB, Fagerstagatan 9, S-163 91 Spånå  
Tel: (46) (0)8 761 70 90, Fax: (46) (0)8 761 81 08  
sweden@invacare.com, finland@invacare.com / www.invacare.se

**Switzerland:**

Invacare AG, Benkenstrasse 260, CH-4108 Witterswil  
Tel: (41) (0)61 487 70 80, Fax: (41) (0)61 487 70 81  
switzerland@invacare.com / www.invacare.ch

**United Kingdom:**

Invacare Limited, Pencoed Technology Park, Pencoed, Bridgend CF35 5AQ  
Switchboard Tel: (44) (0)1656 776200, Fax: (44) (0)1656 776201  
Customer services Tel: (44) (0)1656 776222, Fax: (44) (0)1656 776220  
uk@invacare.com / www.invacare.co.uk