

## Spare Parts Catalogue

---

Version: 2018/03/27a EN



**Invacare**®  
Orion<sup>METRO</sup> / Orion<sup>PRO</sup>



**Yes, you can.®**

## **General Information**

*For any order of spare parts the following information is required:*

- Product type*
- Product name & model*
- Serial Number*
- Part-Number*
- Part-Description*

*Exploded view drawings and code numbers are not contractual and subject to modification, in relation to Invacare® continuous product improvement policy to meet end users needs.*

*The reproduction or use of this work, or of any substantial part of this work, in any form or by any electronic, mechanical or other means, including photocopying, scanning and recording, and in any information storage and retrieval system, including electronic transmission, is forbidden without the prior written permission of Invacare® International Sarl.*



Yes, you can.®

## TABLE OF CONTENTS

---

### Information & User Manuals

User Manuals Orion Metro / Pro .....	5
--------------------------------------	---

### Chassis, Shrouds & Lights

Front frame 3-Wheel - Metro .....	6
Front shroud 3-Wheel - Metro .....	7
Front frame 3-Wheel - Pro .....	8
Front shroud 3-Wheel - Pro .....	9
Front frame 4-Wheel - Metro .....	10
Front shroud 4-Wheel - Metro .....	11
Front frame 4-Wheel - Pro .....	12
Front shroud 4-Wheel - Pro .....	13
Rear swing .....	14
Rear Shroud .....	15
Rear bumper shroud .....	16
Colour panels (6 pieces) .....	17
Light system .....	18

### Seating

Seats & Headrests .....	19
Seat Bracket .....	20
Slide Assembly .....	21
Armrests .....	22
Seat Post .....	23

### Wheels

Wheels - 5" rim .....	24
Wheels - 6" rim .....	26
Anti-tipper wheel .....	27

### Propulsion

Propulsion Metro 6 & 10 km/h .....	28
Propulsion Metro 12 km/h .....	29
Propulsion Pro 6-15 km/h .....	30

### Brakes

Front Break 3-Wheel - Metro .....	31
Front Break 3-Wheel - Pro .....	32
Front Break 4-Wheel - Metro/Pro .....	33

### Steering

Steering Head .....	34
Steering comp. ....	35
Front Fork 3-Wheel - Metro .....	36
Front Fork 3-Wheel - Pro .....	37
Front Suspension 4-Wheel - Metro .....	38
Front Suspension 4-Wheel - Pro .....	39



**Yes, you can.<sup>®</sup>**

## **TABLE OF CONTENTS**

---

### **Batteries, Cables & Charger**

Batteries & Cables .....	40
Chargers .....	41

### **Electronic**

Electronic components .....	42
Powerbox & Speed limit trigger .....	43

### **Options & Accessories**

Safety .....	44
Warning Triangle .....	45
Seating .....	46
Walking support .....	47
Rollator bracket .....	48
Storage .....	49
Storage box rear bracket .....	50
Bumpers .....	51
Other Accessories .....	52

## User Manuals Orion Metro / Pro

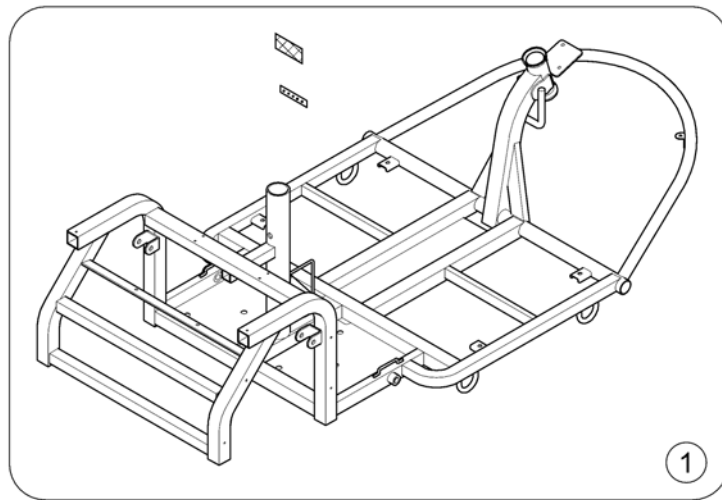
languages.iso

BG	Български	FR	Français	NL	Nederlands	SL	Slovenščina
CS	Čeština	HE	עברית	NO	Norsk	SV	Svenska
DA	Dansk	HR	Hrvatski	PL	Polski	UK	Українська
DE	Deutsch	HU	Magyar	PT	Português		
EN	English	IT	Italiano	RU	Русский		
ES	Español	JA	日本語	RO	Română		
ET	Eesti	LV	Latviešu	SA	العربية		
FI	Suomi	LT	Lietuvių	SK	Slovenčina		

Pos.	Part number	Description	Valid from → until	Qty
EN	SP1603456	User Manual Orion Metro / Pro - English		1
DE	SP1608103	User Manual Orion Metro / Pro - German		1
IT	SP1608104	User Manual Orion Metro / Pro - Italian		1
NL	SP1608105	User Manual Orion Metro / Pro - Dutch		1
NO	SP1608106	User Manual Orion Metro / Pro - Norwegian		1
HR	SP1638555	User Manual Orion Metro / Pro - Croatian		1
CS	SP1638556	User Manual Orion Metro / Pro - Czech		1
DA	SP1638557	User Manual Orion Metro / Pro - Danish		1
ET	SP1638558	User Manual Orion Metro / Pro - Estonian		1
FI	SP1638559	User Manual Orion Metro / Pro - Finnish		1
FR	SP1638560	User Manual Orion Metro / Pro - French		1
LV	SP1638561	User Manual Orion Metro / Pro - Latvian		1
LT	SP1638562	User Manual Orion Metro / Pro - Lithuanian		1
PT	SP1638563	User Manual Orion Metro / Pro - Portuguese		1
PL	SP1638568	User Manual Orion Metro / Pro - Polish		1
SV	SP1638570	User Manual Orion Metro / Pro - Swedisch		1
ES	SP1638571	User Manual Orion Metro / Pro - Spanish		1
UK	SP1638575	User Manual Orion Metro / Pro - Ukrainian		1

## Front frame 3-Wheel - Metro

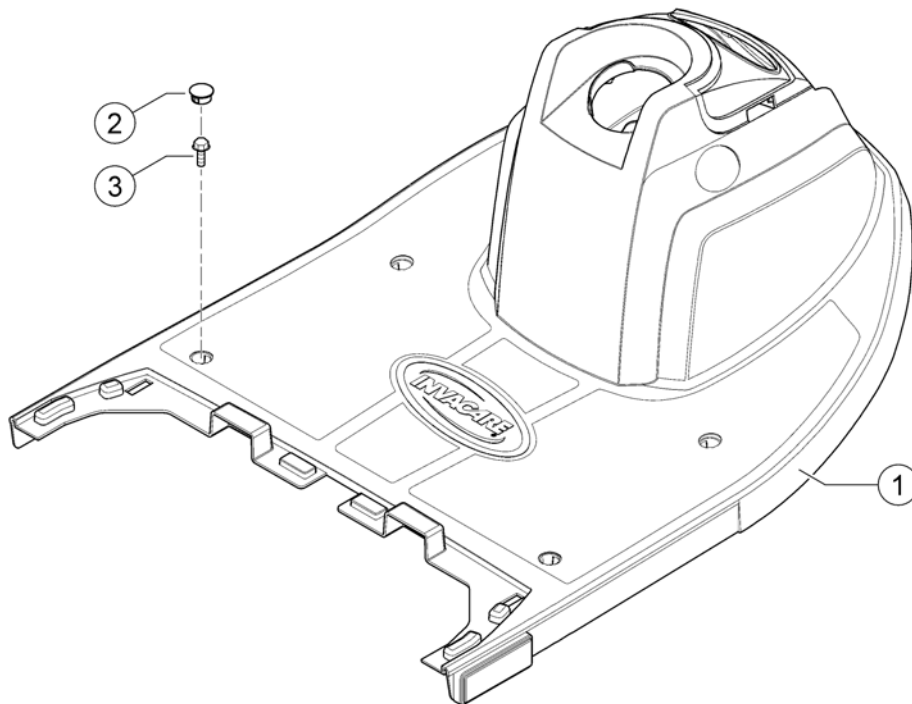
1638623.00



Pos.	Part number	Description	Valid from → until	Qty
1	SP1638663	Frame, cpl. - Metro 3-Wheel		1

## Front shroud 3-Wheel - Metro

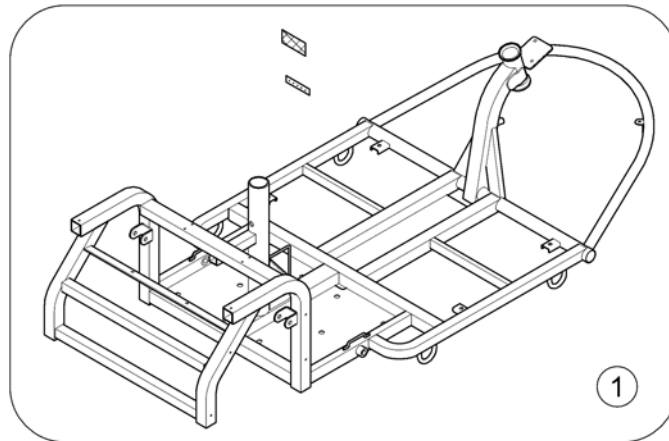
1638857.00



Pos.	Part number	Description	Valid from → until	Qty
1	SP1638851	Front Shroud - Metro 3-Wheel		1
2	SP1521585	Plug (Kit of 4 pcs)		1
3	1505481	Bolt M6x16		4

## Front frame 3-Wheel - Pro

163824.iss

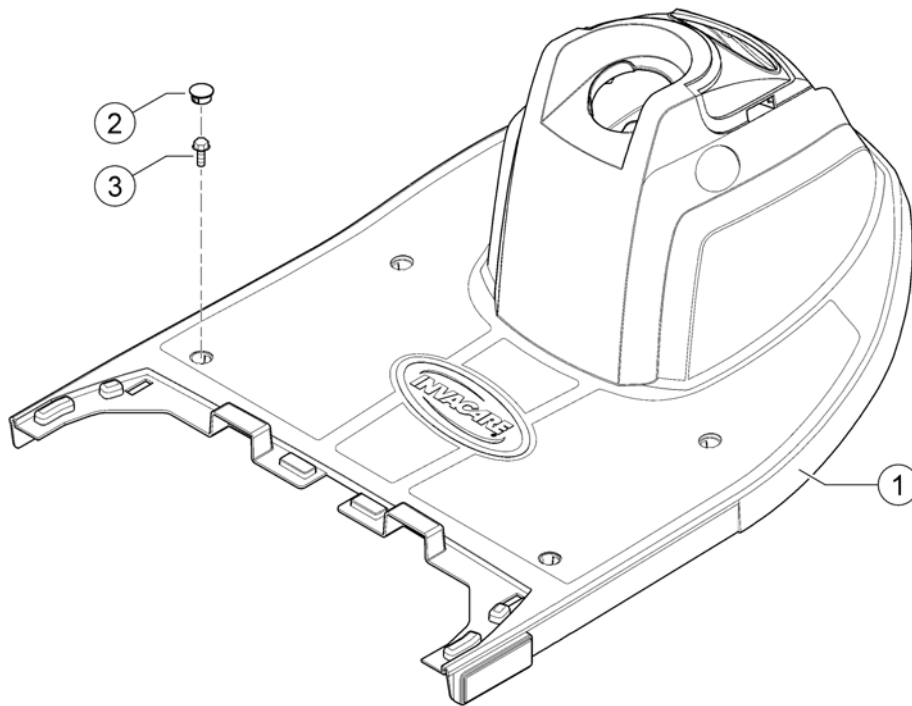


Pos.	Part number	Description	Valid from → until	Qty
1	SP1638664	Frame, cpl. - Pro 3-Wheel		1



## Front shroud 3-Wheel - Pro

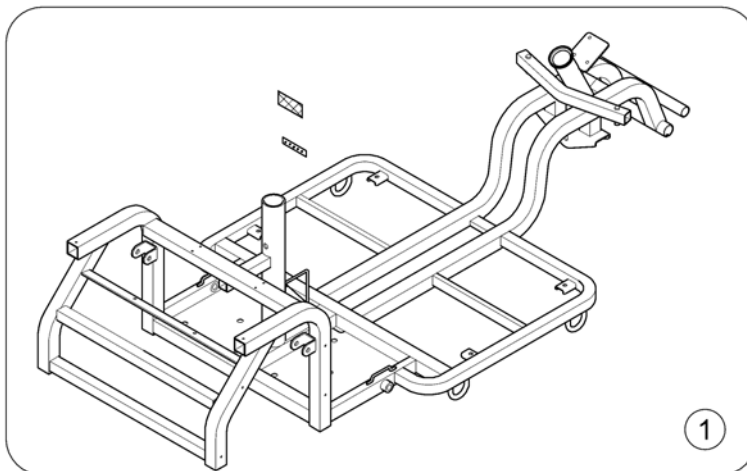
1638857.00



Pos.	Part number	Description	Valid from → until	Qty
1	SP1638852	Front Shroud - Pro 3-Wheel		1
2	SP1521585	Plug (Kit of 4 pcs)		1
3	1505481	Bolt M6x16		4

## Front frame 4-Wheel - Metro

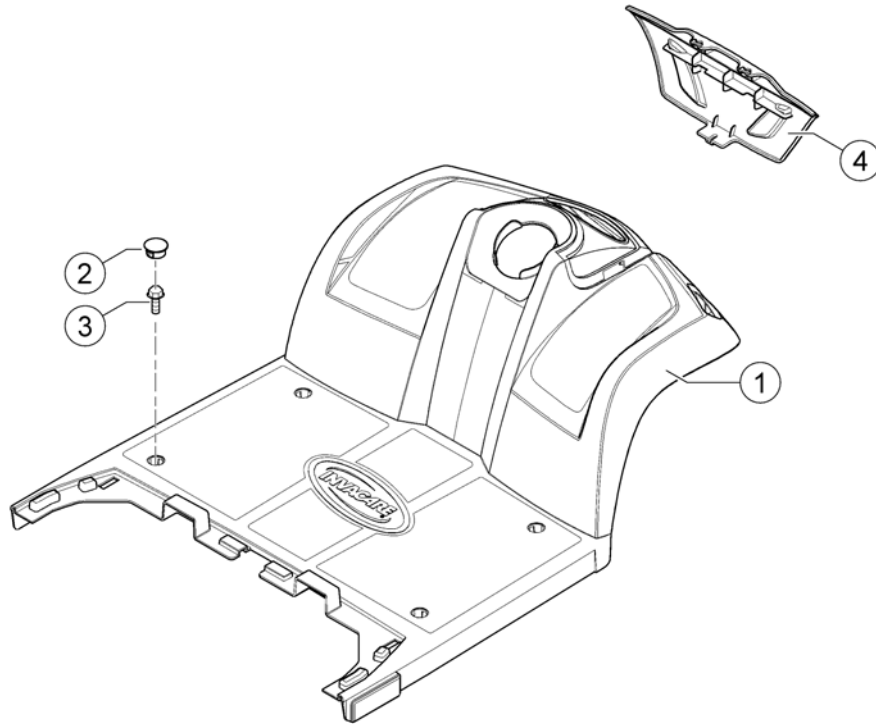
1638625.00



Pos.	Part number	Description	Valid from → until	Qty
1	SP1638665	Frame, cpl. - Metro 4-Wheel		1

## Front shroud 4-Wheel - Metro

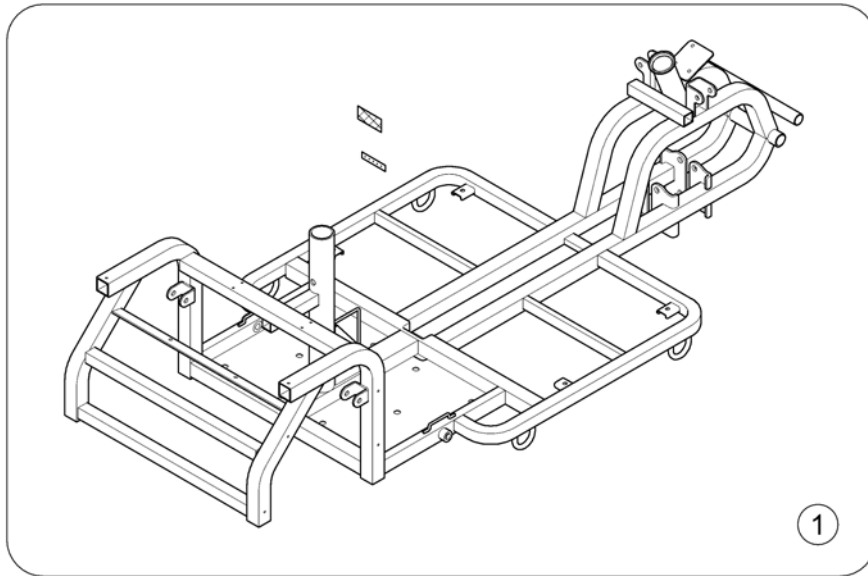
1638959 00



Pos.	Part number	Description	Valid from → until	Qty
1	SP1638853	Front Shroud Metro 4-Wheel		1
2	SP1521585	Plug (Kit of 4 pcs)		1
3	1505481	Bolt M6x16		4
4	SP1642047	Cover, Bumper front		1

## Front frame 4-Wheel - Pro

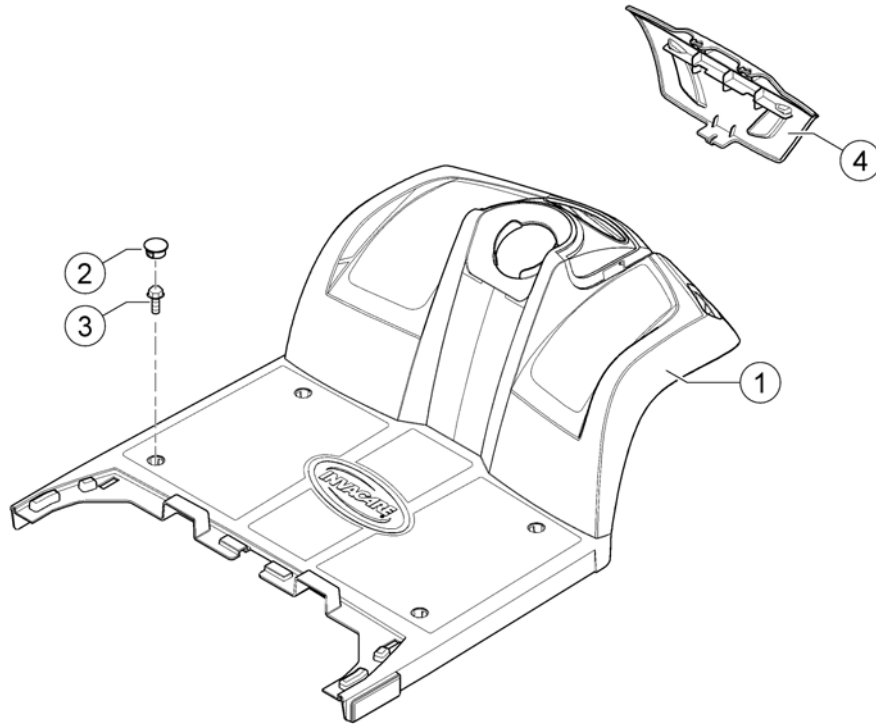
1638626-00



Pos.	Part number	Description	Valid from → until	Qty
1	SP1638666	Frame, cpl. - Pro 4-Wheel		1

## Front shroud 4-Wheel - Pro

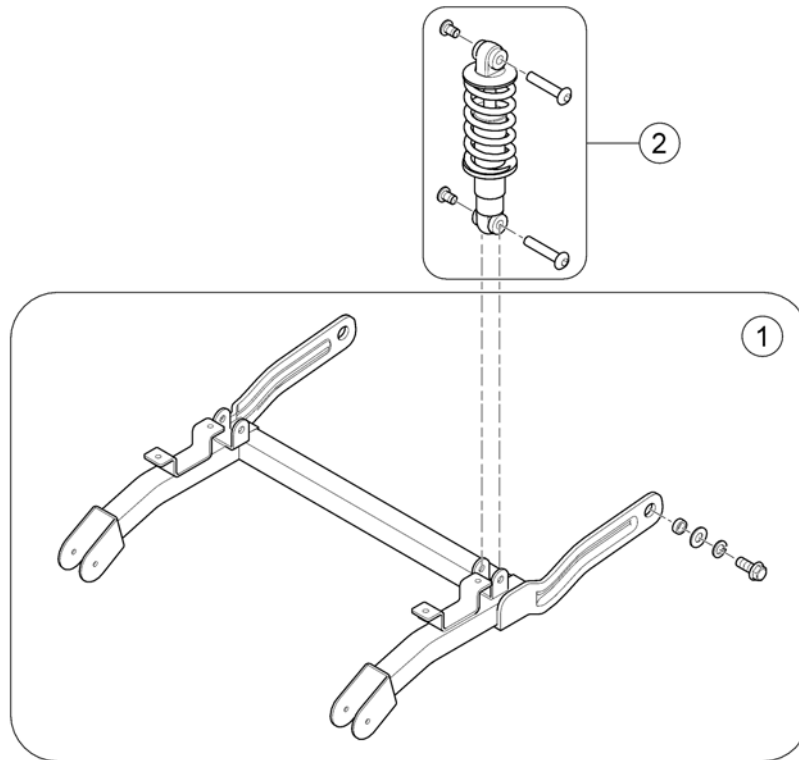
1638959 00



Pos.	Part number	Description	Valid from → until	Qty
1	SP1638854	Front Shroud - Pro 4-Wheel		1
2	SP1521585	Plug (Kit of 4 pcs)		1
3	1505481	Bolt M6x16		4
4	SP1642047	Cover, Bumper front		1

## Rear swing

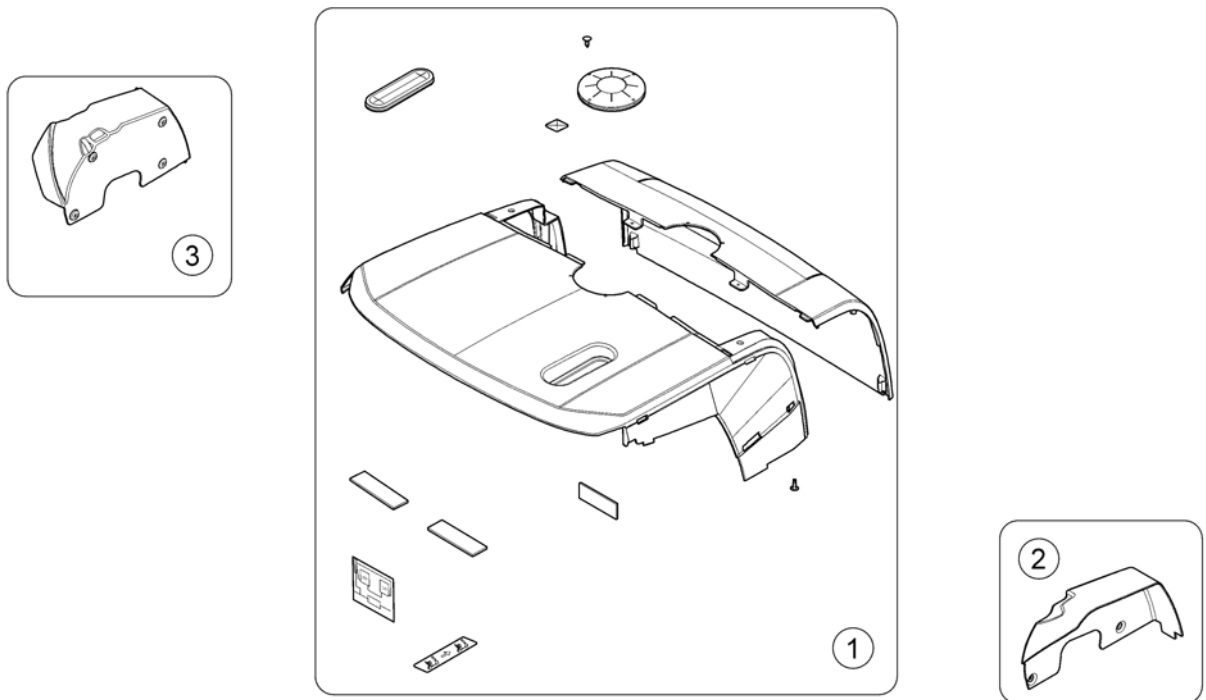
1638627.00



Pos.	Part number	Description	Valid from → until	Qty
1	SP1638668	Rear Swing, cpl.		1
2	SP1638669	Shock absorber, cpl.		1

## Rear Shroud

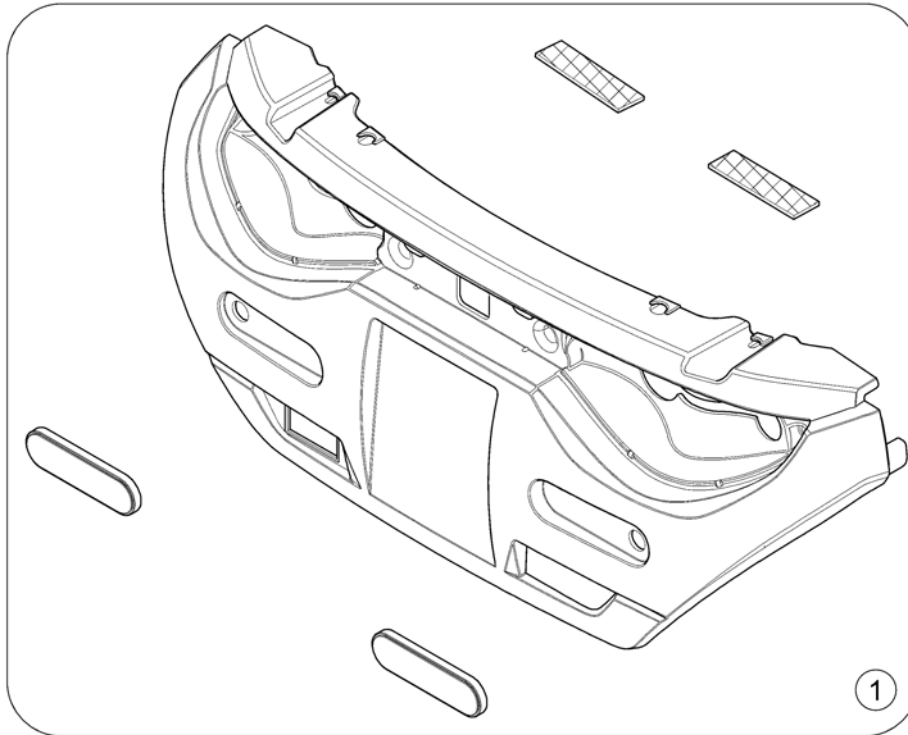
1638905.00



Pos.	Part number	Description	Valid from → until	Qty
1	SP1638971	Rear Shroud, cpl. - Metro (w/o model labels)		1
1	SP1638972	Rear Shroud, cpl. - Pro (w/o model labels)		1
-	SP1637867	Label Kit - Metro		1
-	SP1637868	Label Kit - Pro		1
2	SP1638844	Fender, cpl. - right		1
3	SP1638845	Fender, cpl. - left		1

## Rear bumper shroud

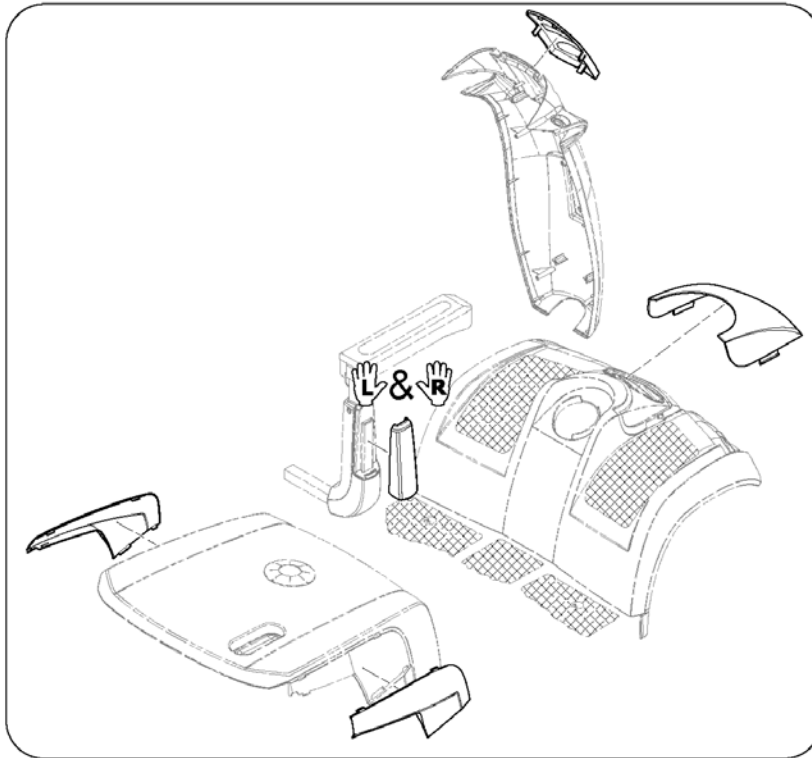
163864.00



Pos.	Part number	Description	Valid from → until	Qty
1	SP1638670	Cover, bumper rear (w/o lights)		1



## Colour panels (6 pieces)

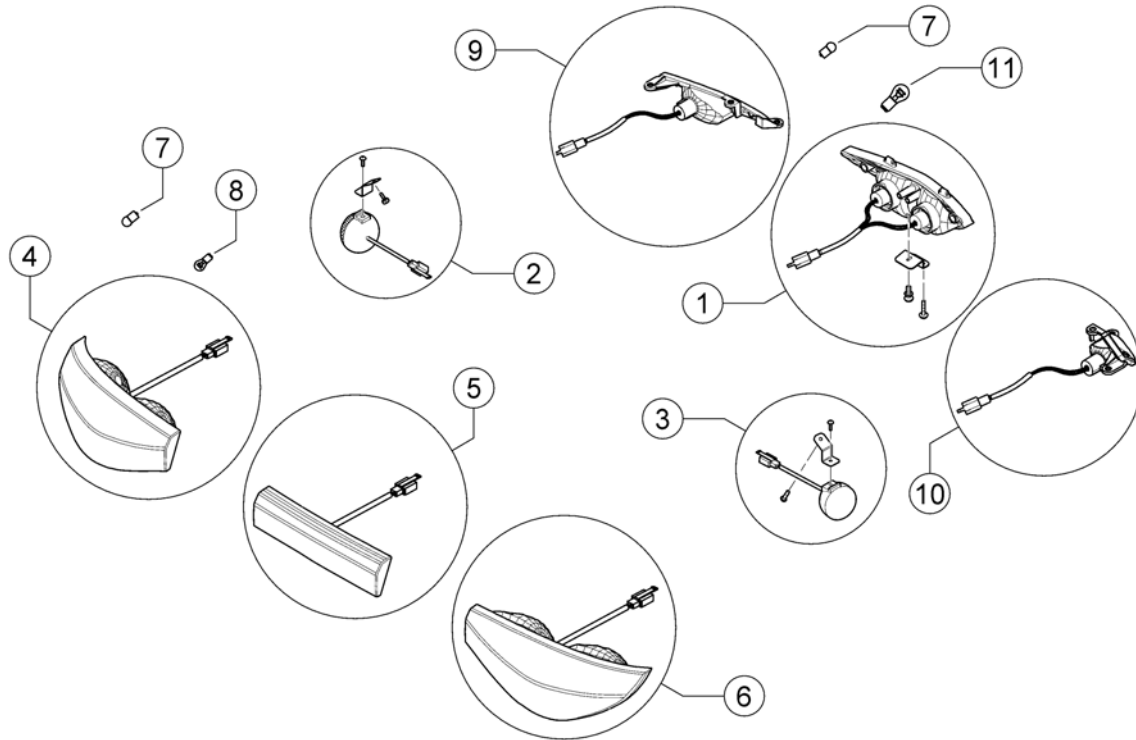


1637123.jpg

Pos.	Part number	Description	Valid from → until	Qty
1	SP1608821	Color panels - Marble White (Classic Line)		1
2	SP1608822	Color panels - Jade Green (Classic Line)		1
3	SP1608823	Color panels - Sapphire Blue (Classic Line)		1
4	SP1608831	Color panels - Diamond Silver (Classic Line)		1
5	SP1608832	Color panels - Jasper Red (Classic Line)		1
6	SP1637415	Color panels - Luxor Beige (Premium Line)		1
7	SP1637416	Color panels - Crystal Copper (Premium Line)		1
8	SP1637417	Color panels - Carmine Red (Premium Line)		1
9	SP1637418	Color panels - Electric Blue (Premium Line)		1
10	SP1637419	Color panels - Ionic Chrome (Premium Line)		1
11	SP1637420	Color panels - Polygon, shades of red		1
12	SP1637421	Color panels - Polygon, shades of blue		1
13	SP1637422	Color panels - Hexagon, shades of white		1

# Light system

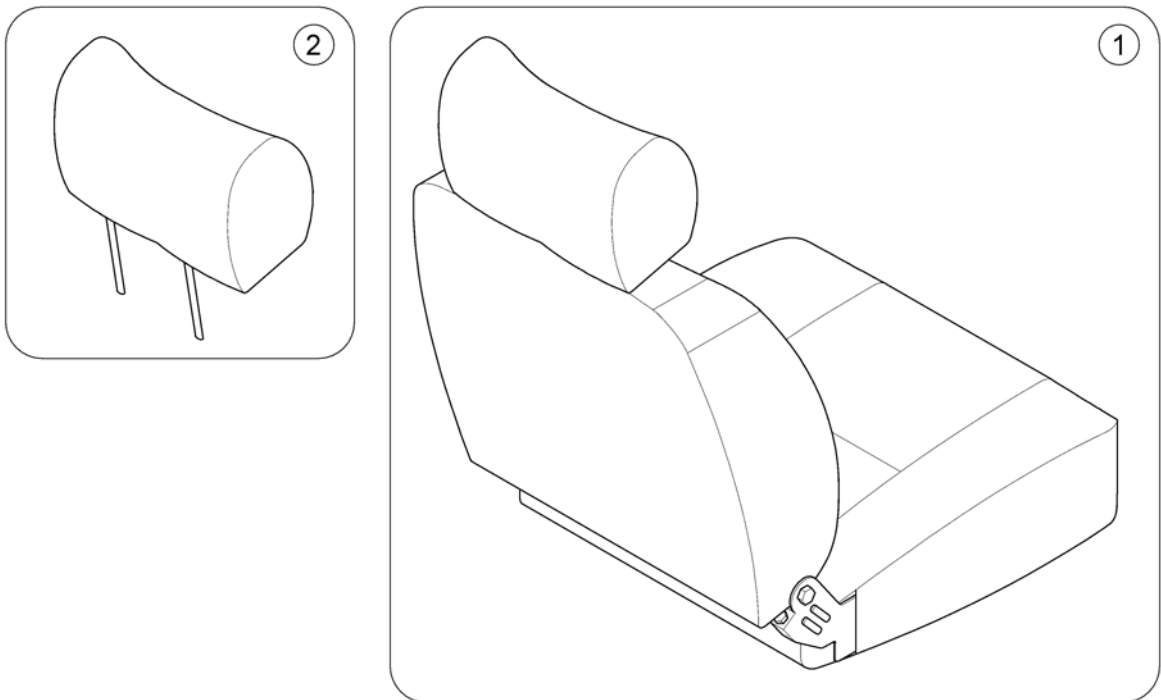
1639740/00



Pos.	Part number	Description	Valid from → until	Qty
1	SP1527473	Head light, cpl.		1
2	SP1638865	Turn signal 3-Wheel, cpl. - left		1
3	SP1638866	Turn signal 3-Wheel, cpl. - right		1
4	SP1518034	Rear Light incl. Turn Signal - LH		1
5	SP1518035	Brake Light, cpl.		1
6	SP1518033	Rear Light incl. Turn Signal - RH		1
7	SP1522030	Bulb Turn Signal 24V/10W		4
8	SP1522034	Bulb Rear Light 24V/5W		1
9	SP1517733	Turn signal, front - LH		1
10	SP1517734	Turn signal, front - RH		1
11	SP1527474	Bulb Head Light 12V/15W		2

## Seats & Headrests

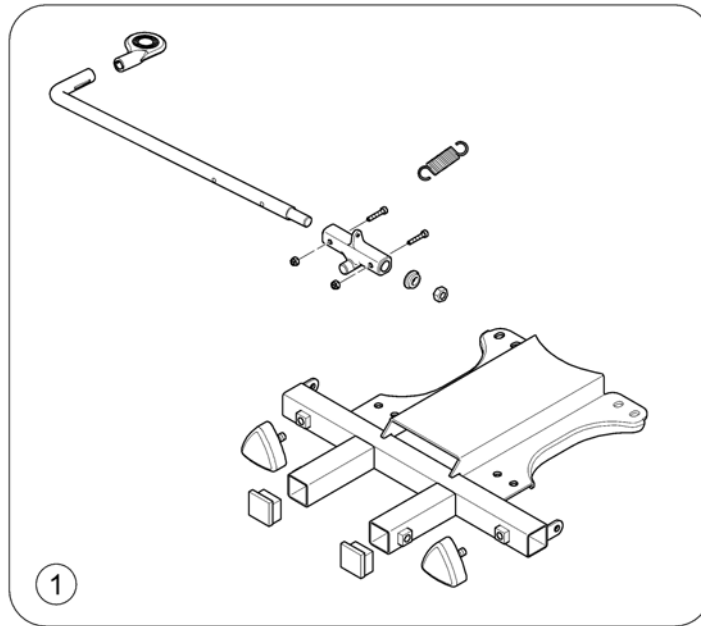
1639746.00



Pos.	Part number	Description	Valid from → until	Qty
1	SP1608540	Seat 20" Comfort		1
1	SP1586116	Seat 20", double white stitching <i>Deluxe Seat (DE = Komfort Sitz)</i>		1
1	SP1608556	Seat 20" Premium		1
2	SP1529380	Headrest Standard/Comfort Seat		1
2	SP1642145	Headrest Premium Seat		1

# Seat Bracket

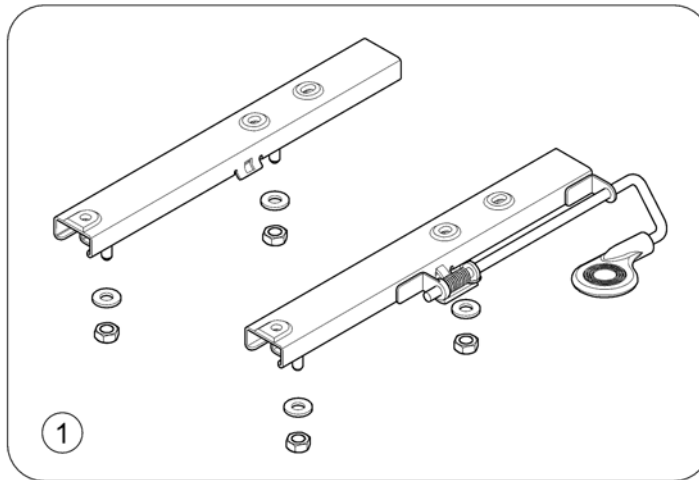
1637085.00



Pos.	Part number	Description	Valid from → until	Qty
1	SP1636855	Seat Bracket Assembly, cpl.		1

# Slide Assembly

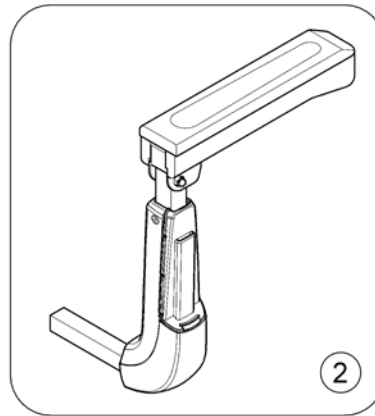
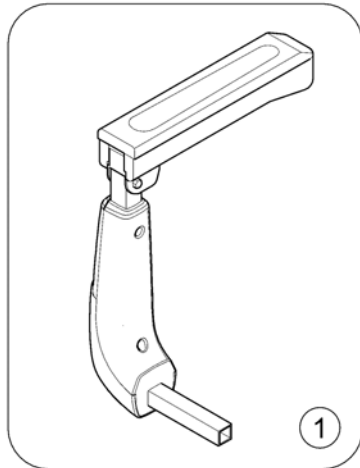
1637086-00



Pos.	Part number	Description	Valid from → until	Qty
1	SP1521690	Slide Assembly		1
1	SP1645013	Slide Assembly OrionPRO 3W <150kg		1

# Armrests

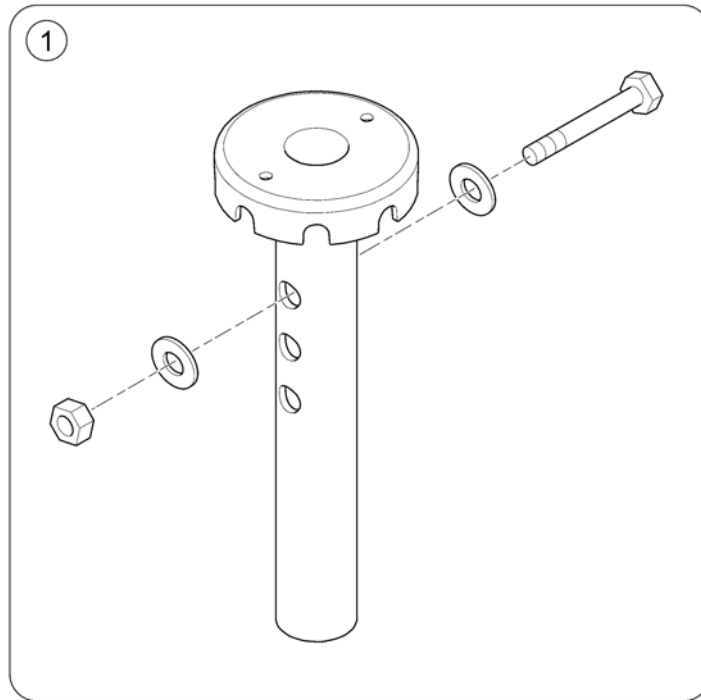
163296-00



Pos.	Part number	Description	Valid from → until	Qty
1	SP1636858	Armrest, cpl. - LH		1
1	SP1641799	Armrest HD, cpl. - LH		1
2	SP1636857	Armrest, cpl. - RH		1
2	SP1641800	Armrest HD, cpl. - RH		1

# Seat Post

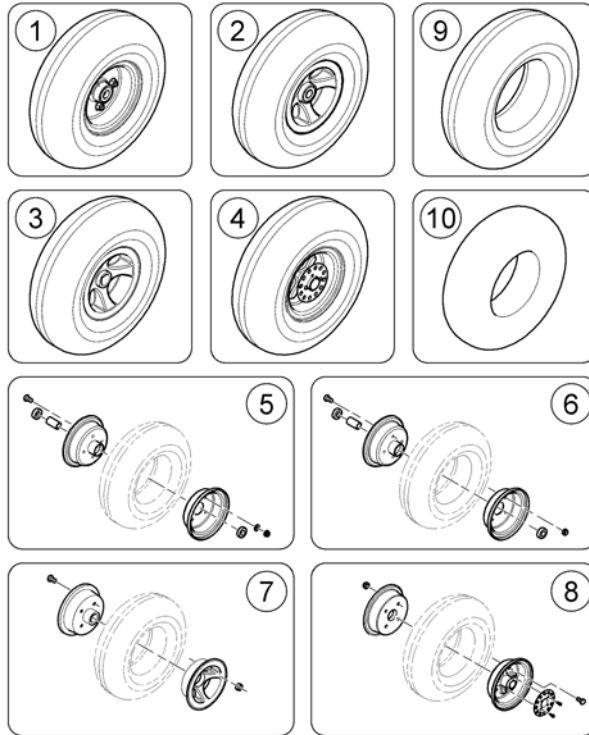
1637084.00



Pos.	Part number	Description	Valid from → until	Qty
1	SP1521691	Seat Post		1

## Wheels - 5" rim

1639052.00



Pos.	Part number	Description	Valid from → until	Qty
1	SP1586108	Front Wheel 11", pneumatic, 5" rim, black tyre - 3-Wheel <i>Metro</i>		1
1	SP1608680	Front Wheel 11", puncture proof, 5" rim, black tyre - 3-Wheel <i>Metro</i>		1
1	SP1608588	Front Wheel 12", pneumatic, 5" rim, black tyre - 3-Wheel <i>Pro</i>		1
1	SP1608682	Front Wheel 12", puncture proof, 5" rim, black tyre - 3-Wheel <i>Pro</i>		1
2	SP1586111	Front Wheel 11", pneumatic, 5" rim, black tyre - 4-Wheel <i>Metro</i>		1
2	SP1608681	Front Wheel 11", puncture proof, 5" rim, black tyre - 4-Wheel <i>Metro</i>		1
2	SP1608593	Front Wheel 12", pneumatic, 5" rim, black tyre - 4-Wheel <i>Pro</i>		1
2	SP1608683	Front Wheel 12", puncture proof, 5" rim, black tyre - 4-Wheel <i>Pro</i>		1
3	SP1586112	Rear Wheel 11", pneumatic, 5" rim, black tyre <i>Metro</i>		1
3	SP1608697	Rear Wheel 11", puncture proof, 5" rim <i>Metro</i>		1
3	SP1637428	Rear Wheel 12", pneumatic, 5" rim, RH <i>Pro</i>		1
3	SP1637430	Rear Wheel 12", puncture proof, 5" rim, RH <i>Pro</i>		1
4	SP1608674	Rear Wheel 12", pneumatic, 5" rim, LH <i>Pro</i>		1
4	SP1608773	Rear Wheel 12", puncture proof, 5" rim, LH <i>Pro</i>		1
5	SP1638780	5" Rim Kit, Front - 3-Wheel <i>Metro</i>		1
5	SP1638862	5" Rim Kit, Front - 3-Wheel <i>Pro</i>		1
6	SP1638863	5" Rim Kit, Front - 4-Wheel <i>Metro &amp; Pro</i>		1
7	SP1638838	5" Rim Kit, Rear <i>Metro LH/RH &amp; Pro RH</i>		1

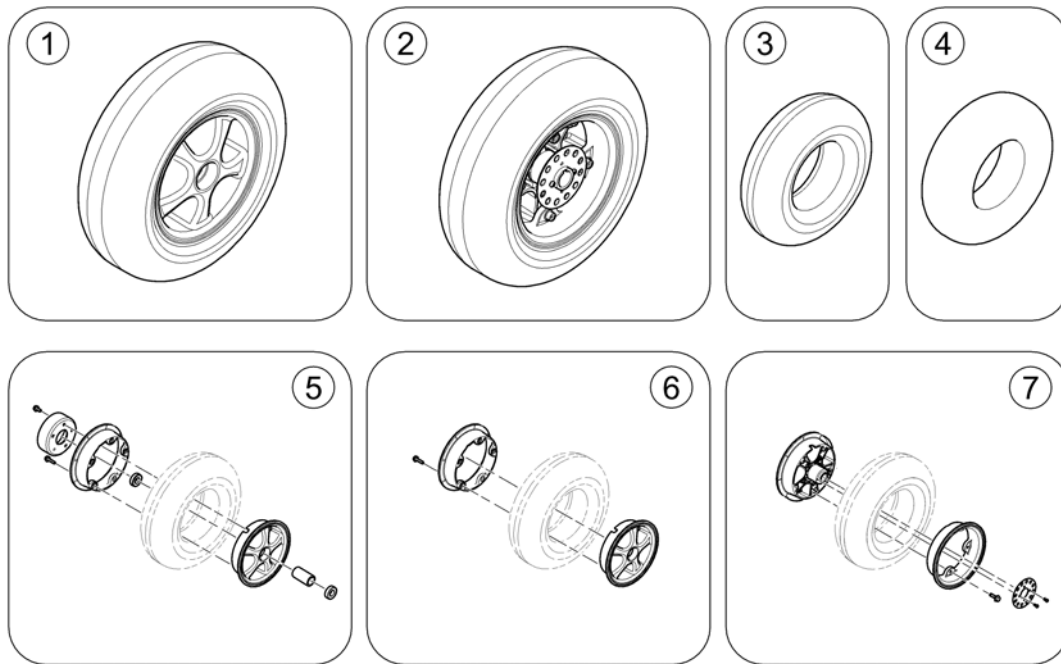


**Wheels - 5" rim**

<b>Pos.</b>	<b>Part number</b>	<b>Description</b>	<b>Valid from → until</b>	<b>Qty</b>
8	SP1638864	5" Rim Kit, Rear <i>Pro LH</i>		1
9	SP1586109	Tyre incl. Tube 4.10x3.50-5 - black <i>Metro</i>		1
9	SP1586110	Solid Tyre PU (puncture proof) 4.10x3.50-5 - black <i>Metro</i>		1
9	SP1640319	Tyre (pneumatic) 12" (4.10/3.50-5) - black <i>Pro</i>		1
9	SP1638976	PU Tyre (puncture proof) 12" (3.50-5) - black <i>Metro</i>		1
10	SP1527606	Tube 4.10x3.50-5 <i>Metro</i>		1
10	SP1640320	Tube 12" (4.10/3.50-5) <i>Pro</i>		1

## Wheels - 6" rim

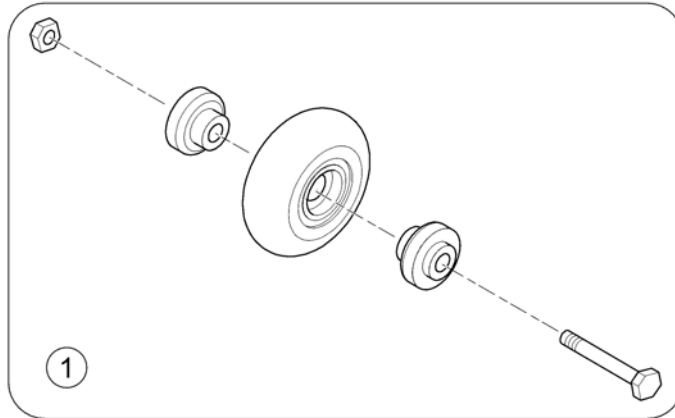
1630051 no



Pos.	Part number	Description	Valid from → until	Qty
1	SP1608776	Front Wheel 11", pneumatic, Low Profile, 6" rim, Orion Metro 3-Wheel		1
1	SP1608794	Front Wheel 11", pneumatic, Low Profile, 6" rim, Orion Metro 4-Wheel		1
1	SP1608799	Rear Wheel 11", pneumatic, Low Profile, 6" rim - Orion Metro		1
1	SP1608796	Front Wheel 12", pneumatic, Low Profile, 6" rim - Orion Pro 3 & 4-Wheel		1
1	SP1637432	Rear Wheel 12", pneumatic, Low Profile, 6" rim, RH - Orion Pro		1
2	SP1608812	Rear Wheel 12", pneumatic, Low Profile, 6" rim, LH - Orion Pro		1
3	SP1638977	Tyre 11x3.50-6		1
3	SP1638974	Tyre 12x4.00-6		1
4	SP1638978	Tube 11x3.50-6		1
4	SP1638975	Tube 12x4.00-6		1
5	SP1638835	6" Rim Kit, Front - Metro 3-Wheel		1
5	SP1638840	6" Rim Kit, Front - Metro 4-Wheel		1
6	SP1638836	6" Rim Kit, Rear - Metro LH/RH & Pro RH		1
7	SP1638861	6" Rim Kit, Rear - Pro LH		1

# Anti-tipper wheel

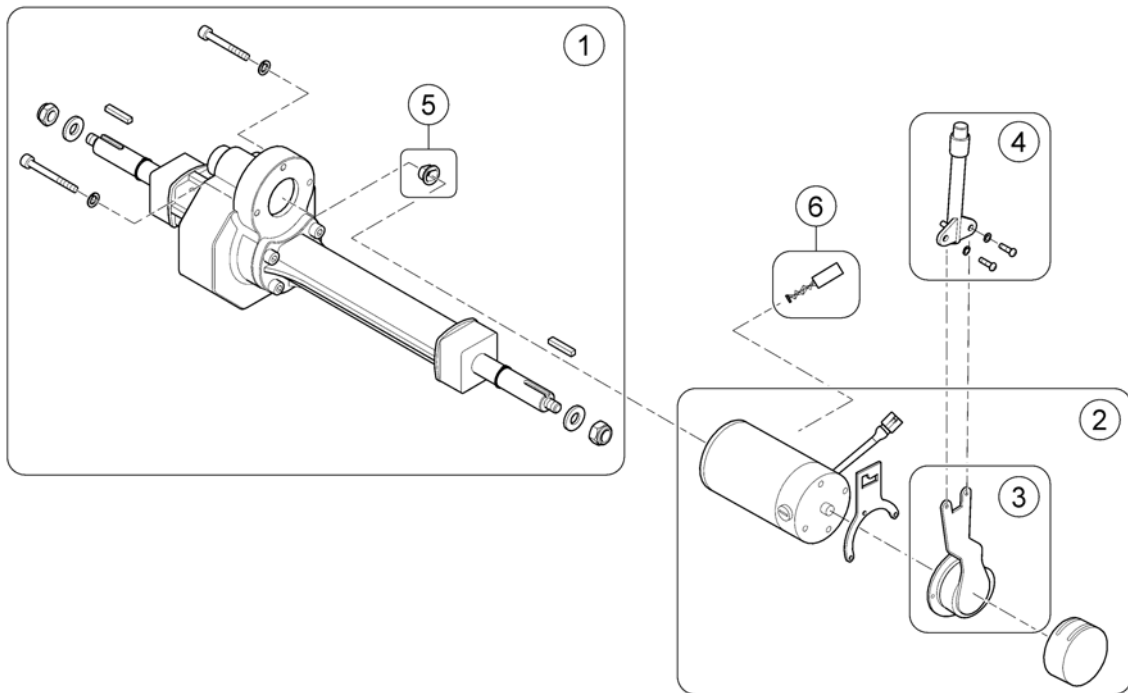
1637088-00



Pos.	Part number	Description	Valid from → until	Qty
1	SP1522021	Wheel, Anti-Tipper		1

# Propulsion Metro 6 & 10 km/h

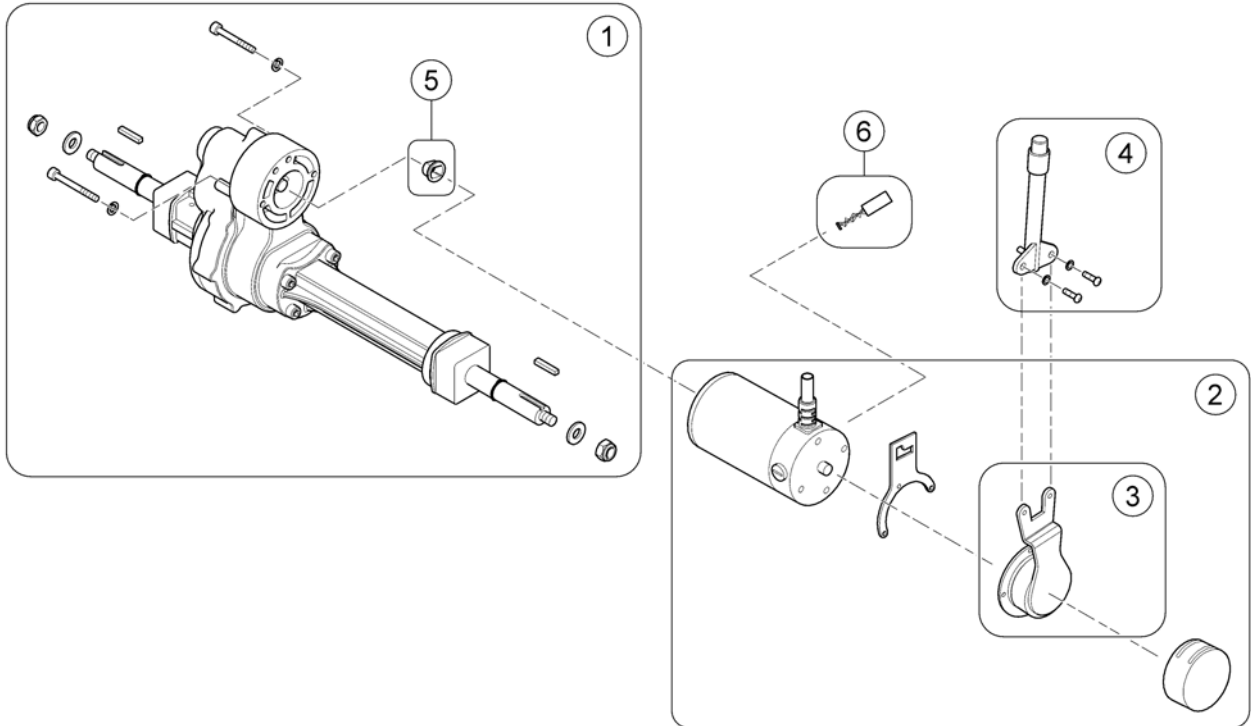
1638879.00



Pos.	Part number	Description	Valid from → until	Qty
1	SP1638832	Differential 6 & 10 km/h - Metro		1
2	SP1638789	Motor 6 km/h - Metro		1
2	SP1638790	Motor 10 km/h - Metro		1
3	SP1638968	Clutch & Brake <i>6 &amp; 10 km/h (Metro)</i>		1
4	SP1505672	Disclutching Lever L=113,2mm, cpl.		1
5	SP1571584	Guide		1
6	SP1636876	Carbon brush <i>6 &amp; 10 km/h (Metro)</i>		2

# Propulsion Metro 12 km/h

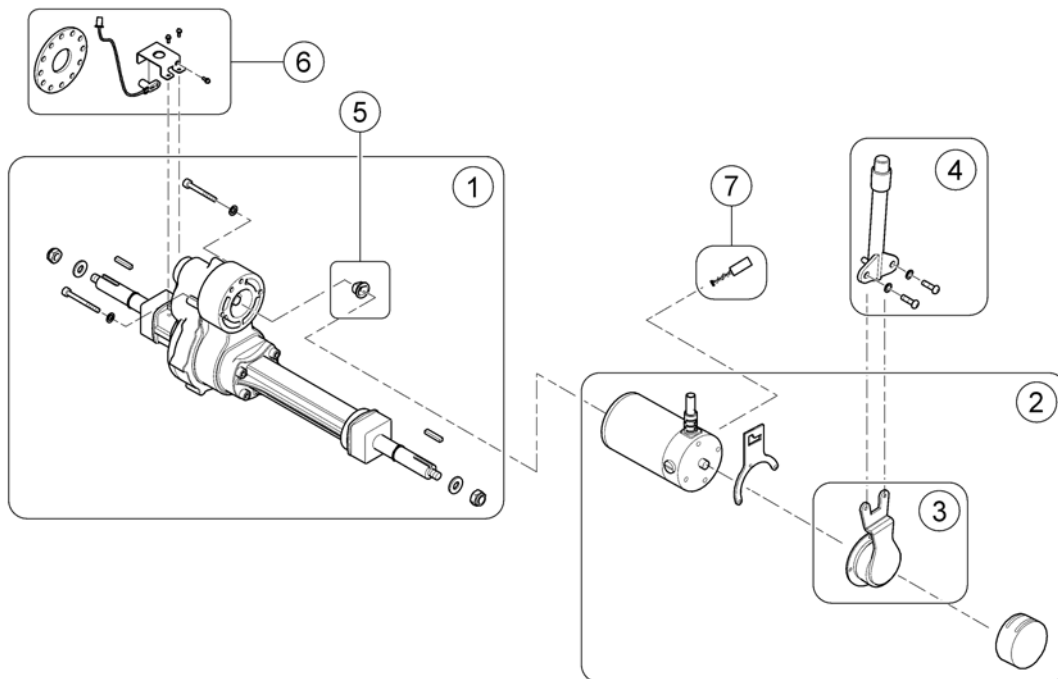
163877/00



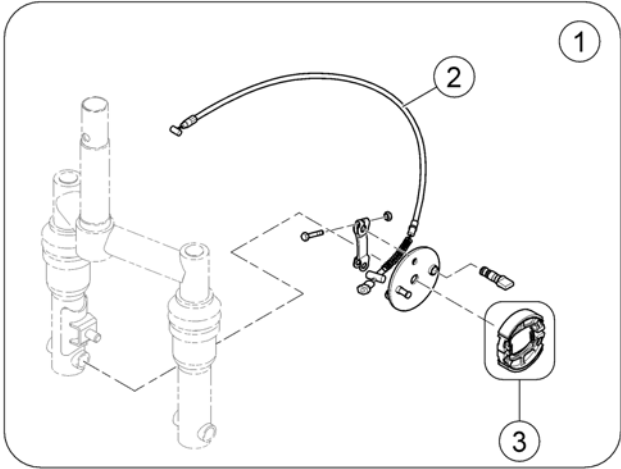
Pos.	Part number	Description	Valid from → until	Qty
1	SP1638833	Differential 12 km/h - Metro		1
2	SP1638791	Motor 12 km/h - Metro		1
3	SP1638969	Clutch & Brake <i>12 km/h (Metro)</i>		1
4	SP1505672	Disclutching Lever L=113,2mm, cpl.		1
5	SP1571584	Guide		1
6	SP1527845	Carbon Brush (4 pcs) <i>12 km/h (Metro)</i>		1

# Propulsion Pro 6-15 km/h

1638578.000



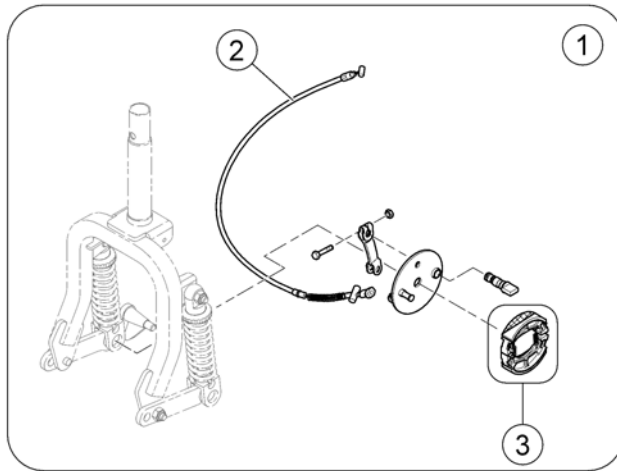
Pos.	Part number	Description	Valid from → until	Qty
1	SP1638834	Differential 6-15 km/h - Pro		1
1	SP1645011	Differential 15 km/h (690mm) - Pro 3W <150kg		1
2	SP1638792	Motor 6 km/h - Pro		1
2	SP1638793	Motor 10 km/h - Pro		1
2	SP1638830	Motor 12 km/h - Pro		1
2	SP1638831	Motor 15 km/h (EN 12.8 km/h) - Pro		1
3	SP1638970	Clutch & Brake 6 km/h (Pro)		1
3	SP1636879	Clutch & Brake 10 km/h (Pro)		1
3	SP1636891	Clutch & Brake 12 & 15 km/h (Pro)		1
4	SP1505672	Disclutching Lever L=113,2mm, cpl.		1
5	SP1571584	Guide		1
6	SP1643083	Kit, Speed Sensor, cpl. <i>replaces item SP1636874</i>		1
-	SP1645012	Sensor Holder for Differential 15 km/h Pro 3W <150kg		1
7	SP1636877	Carbon brush 6-15 km/h (Pro)		2



Pos.	Part number	Description	Valid from → until	Qty
1	SP1638758	Brake assembly - Metro 3-Wheel		1
2	SP1638841	Cable assembly, Front brake		1
3	SP1518418	Brake Shoes, cpl. (95mm)		1

# Front Break 3-Wheel - Pro

1638917/00

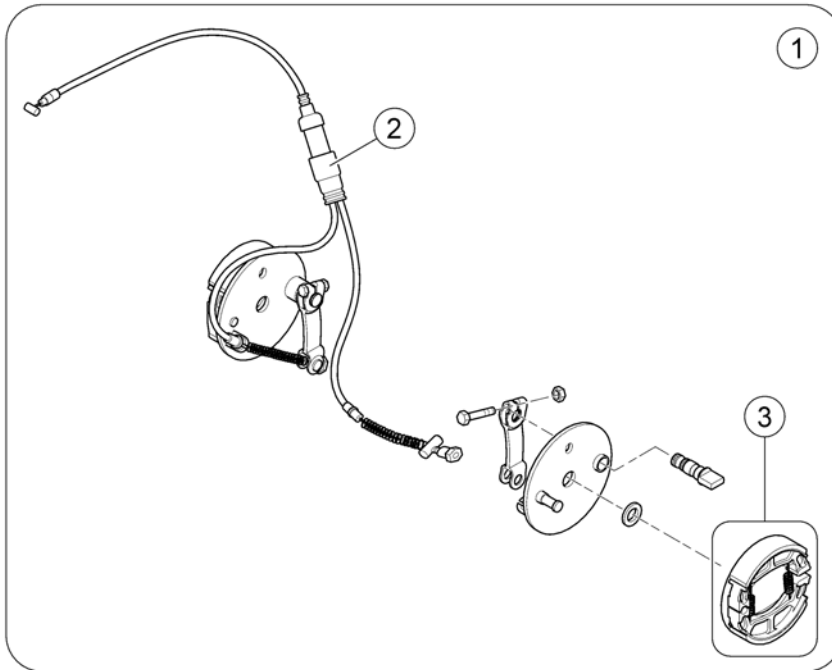


Pos.	Part number	Description	Valid from → until	Qty
1	SP1522025	Brake Assembly 3 Wheeler		1
2	SP1518419	Brake Cable 3 Wheeler		1
3	SP1518418	Brake Shoes, cpl. (95mm)		1



# Front Break 4-Wheel - Metro/Pro

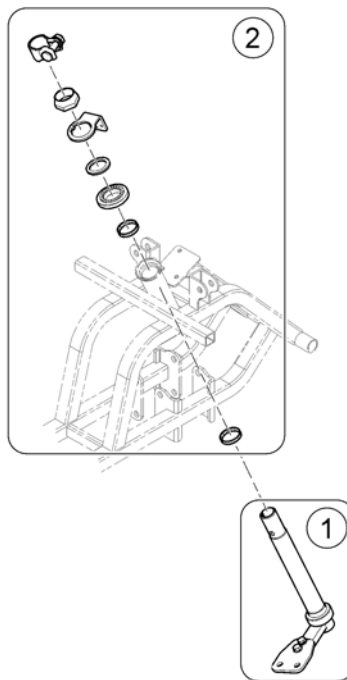
1638622-00



Pos.	Part number	Description	Valid from → until	Qty
1	SP1521589	Brake Assembly 4 Wheeler		1
2	SP1518422	Brake Cable 4 Wheeler		1
3	SP1518418	Brake Shoes, cpl. (95mm)		1

# Steering Head

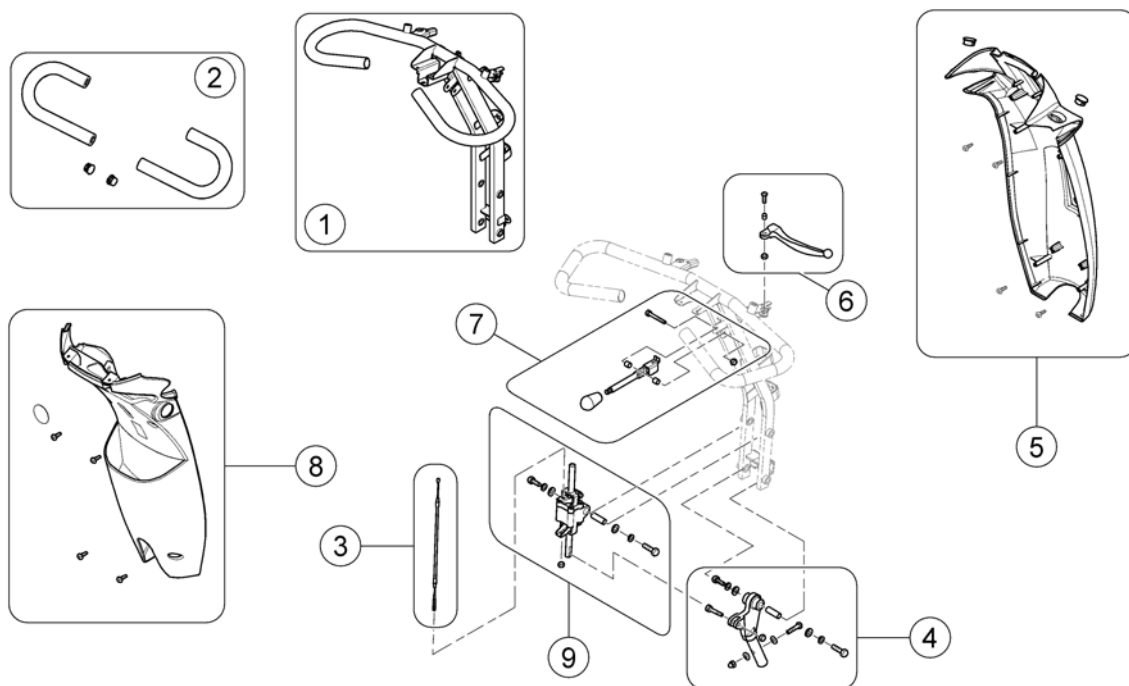
1639741.00



Pos.	Part number	Description	Valid from → until	Qty
1	SP1638667	Steering bar assembly		1
2	SP1636816	Bearing Kit		1

# Steering comp.

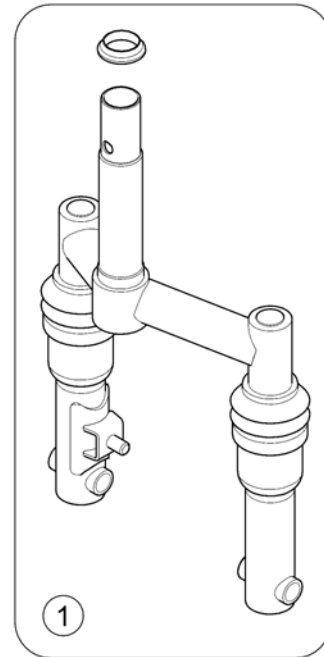
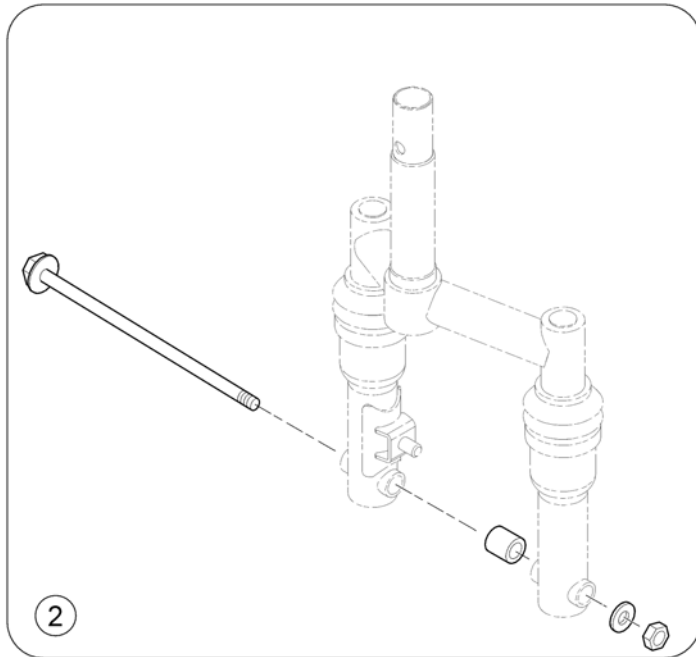
1638628-00



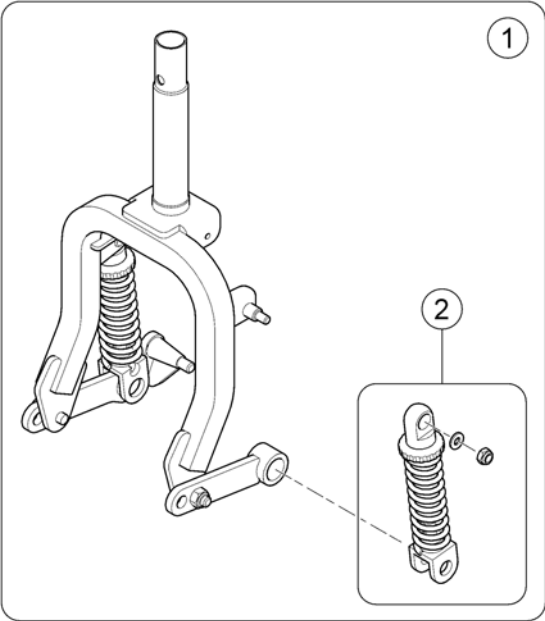
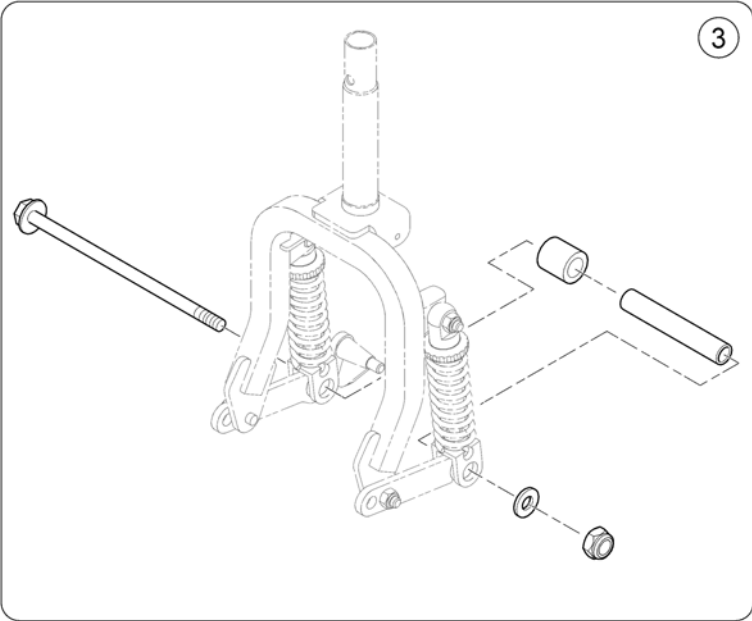
Pos.	Part number	Description	Valid from → until	Qty
1	SP1608184	Steering		1
2	SP1636767	Grip, Handle Bar, cpl.		1
3	SP1608201	Cable, steering adj.		1
4	SP1636812	Joint, steering adjustment, cpl.		1
5	SP1608205	Front steering cover		1
6	SP1636804	Lever, Brake - RH		1
7	SP1636813	Lever, steering adjustment		1
8	SP1636814	Rear steering cover		1
9	SP1608202	Steering adjustment Assembly, cpl.		1

## Front Fork 3-Wheel - Metro

153809190



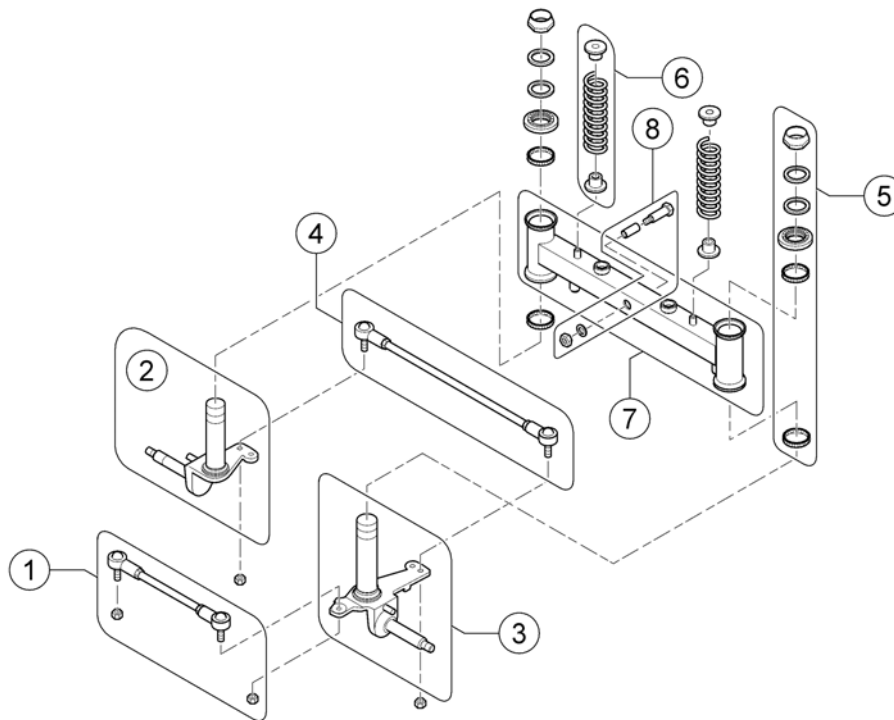
Pos.	Part number	Description	Valid from → until	Qty
1	SP1638757	Front fork assembly, cpl. - Metro		1
2	SP1638779	Front Axle, cpl. - Metro 3-Wheel		1



Pos.	Part number	Description	Valid from → until	Qty
1	SP1638781	Front fork assembly, cpl. - Pro 3-Wheel		1
2	SP1638759	Shock absorber, cpl. - Pro 3-Wheel		1
3	SP1638778	Front Axle, cpl. - Pro 3-Wheel		1

# Front Suspension 4-Wheel - Metro

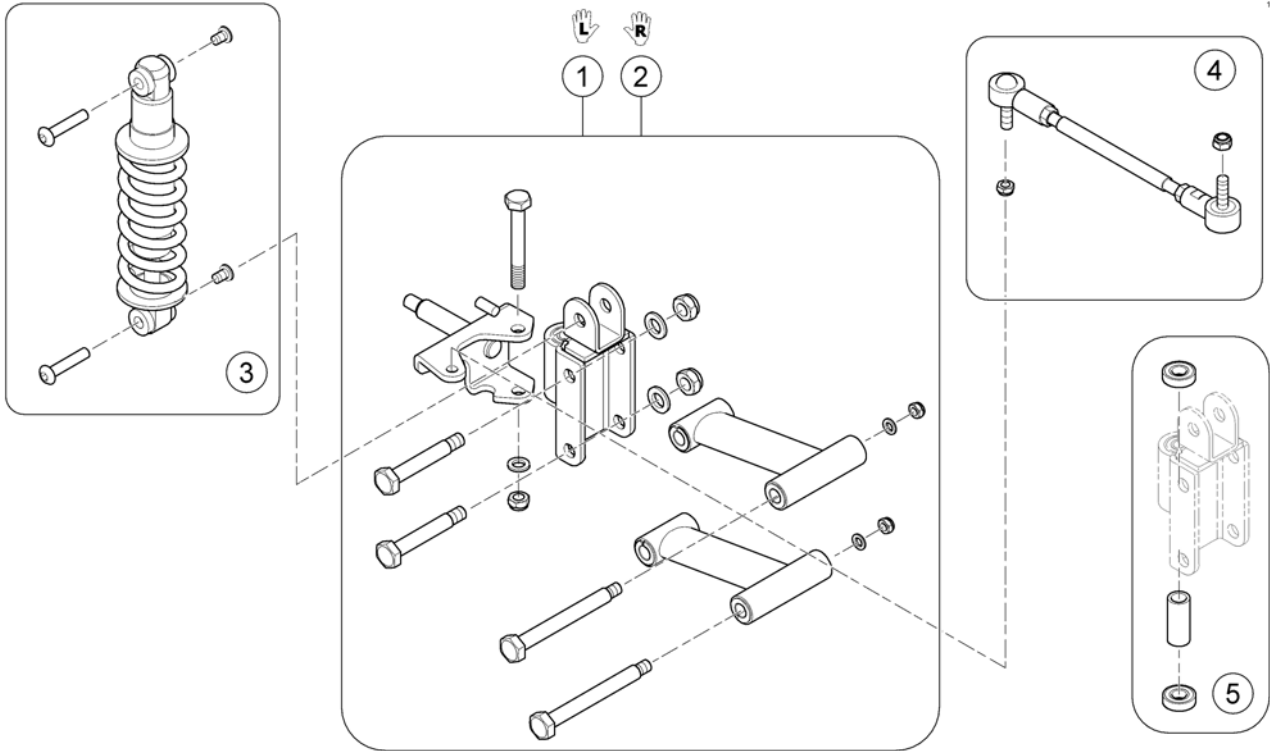
1638919.00



Pos.	Part number	Description	Valid from → until	Qty
1	SP1518078	Rear Rod Assembly		1
2	SP1518237	Front Axle LH		1
3	SP1518238	Front Axle RH		1
4	SP1518077	Front Rod Assembly		1
5	SP1505487	Bearing Kit		1
6	SP1518196	Spring, Front Wheel		1
7	SP1518076	Swing holder, front		1
8	SP1563328	Suspension arm fixation		1

# Front Suspension 4-Wheel - Pro

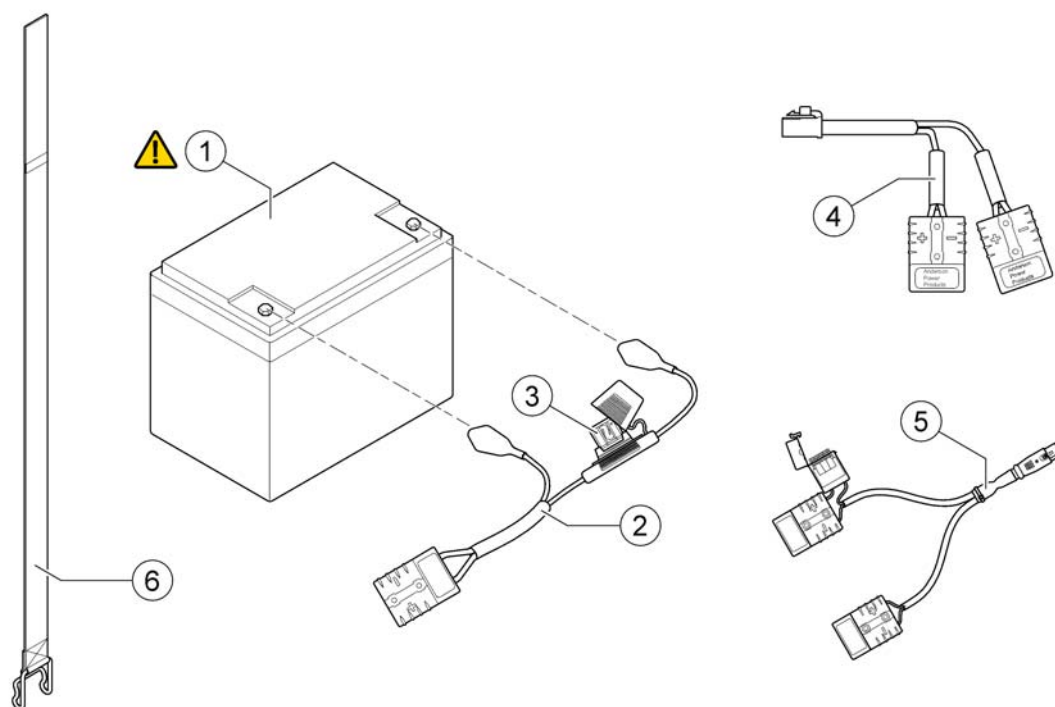
163820 iso



Pos.	Part number	Description	Valid from → until	Qty
1	SP1638787	Front Axle Kit LH - Pro 4-Wheel		1
2	SP1638782	Front Axle Kit RH - Pro 4-Wheel		1
3	SP1638788	Shock absorber, cpl. - Pro 4-Wheel		1
4	SP1636872	Rod Assembly, cpl.		1
5	SP1636859	Bearing Kit		1

## Batteries & Cables

1640515.00

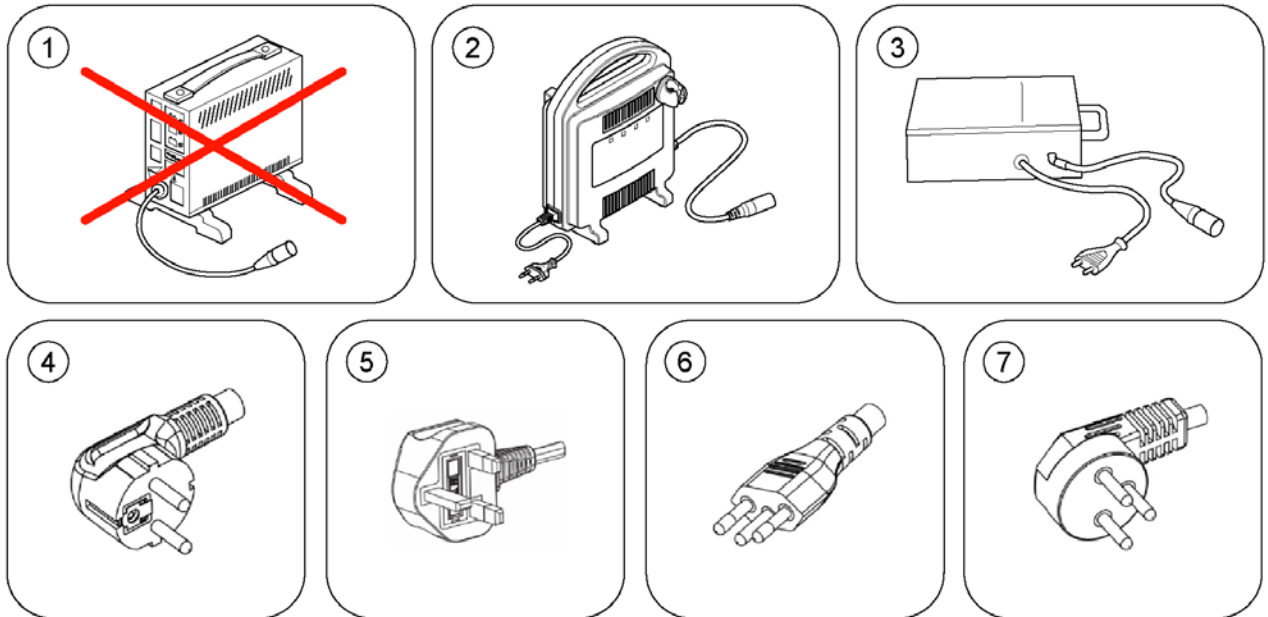


Pos.	Part number	Description	Valid from → until	Qty
!	-	Important advice! Replace batteries in pairs. Never mix: manufactures, date codes or technologies (Gel with AGM batteries)		0
1	SP1521695	Battery, 12V/50Ah C20, AGM		2
1	SP1522026	Battery, 12V/75Ah C20, AGM		2
2	SP1636819	Fuse battery cable (70A)		1
3	SP1636823	Fuse 70A		1
4	SP1608209	Wire, Battery Output		1
5	SP1641608	Off board charging cable V0		1
6	SP1521758	Battery strap		1



# Chargers

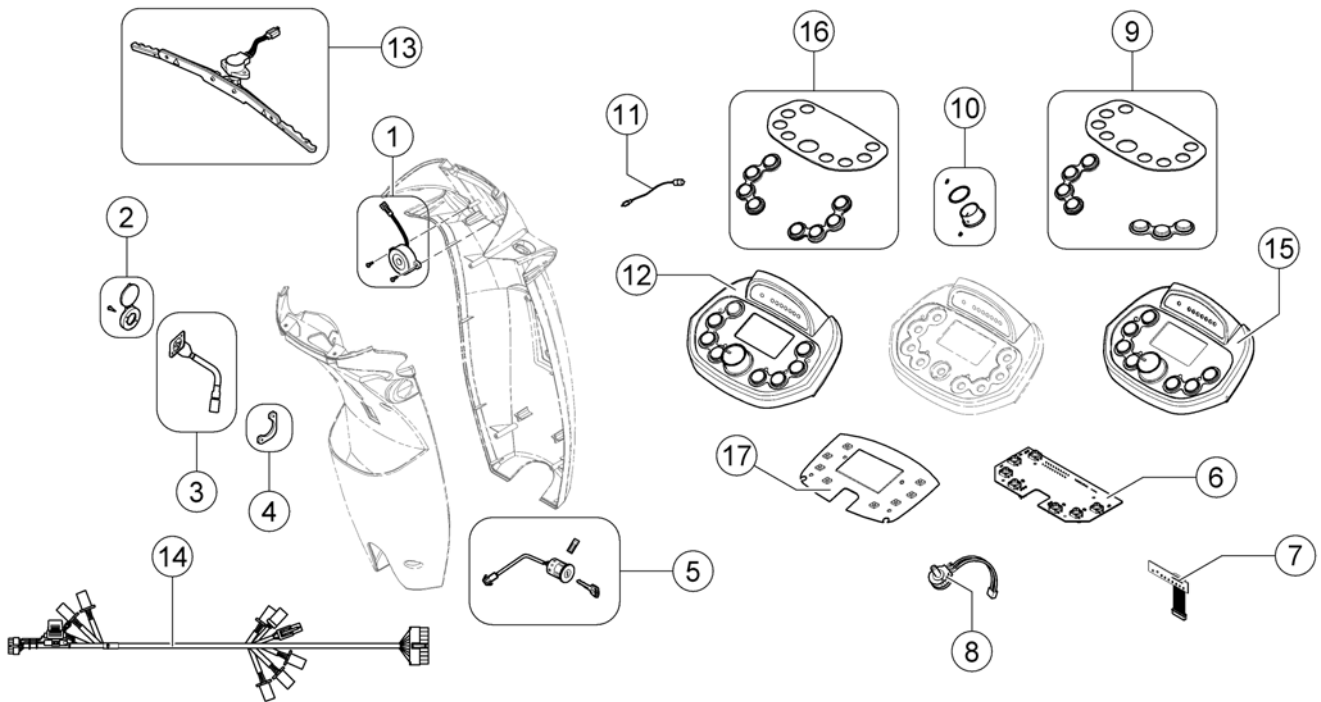
1541251.00



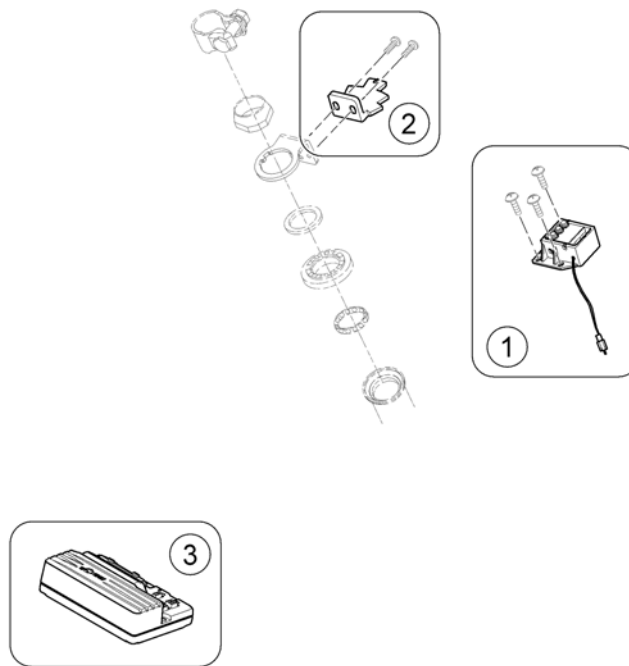
Pos.	Part number	Description	Valid from → until	Qty
1	-	No longer available.		1
2	SP1606541	Charger OptiCharge 8A - EU Plug <i>[1343]</i>		1
2	SP1606543	Charger OptiCharge 8A - UK Plug <i>[1343]</i>		1
3	5813987	Charger GI Popular 8A (IP54) incl. Power Cord Continental (Sweden only) <i>[1388]</i>		1
4	P21079	Power Cord EU (IEC 60210-C13 / CEE 7/7 Type F 'Schuko')		1
5	P21080	Charger Cable (UK)		1
6	1443841	Power Cord Swiss (IEC 60320-C13 / SEV 1011 Type J)		1
7	SP1553849	Power Cord Israel (IEC 60320-C13 / SI 32 Type H)		1

## Electronic components

1638843/00



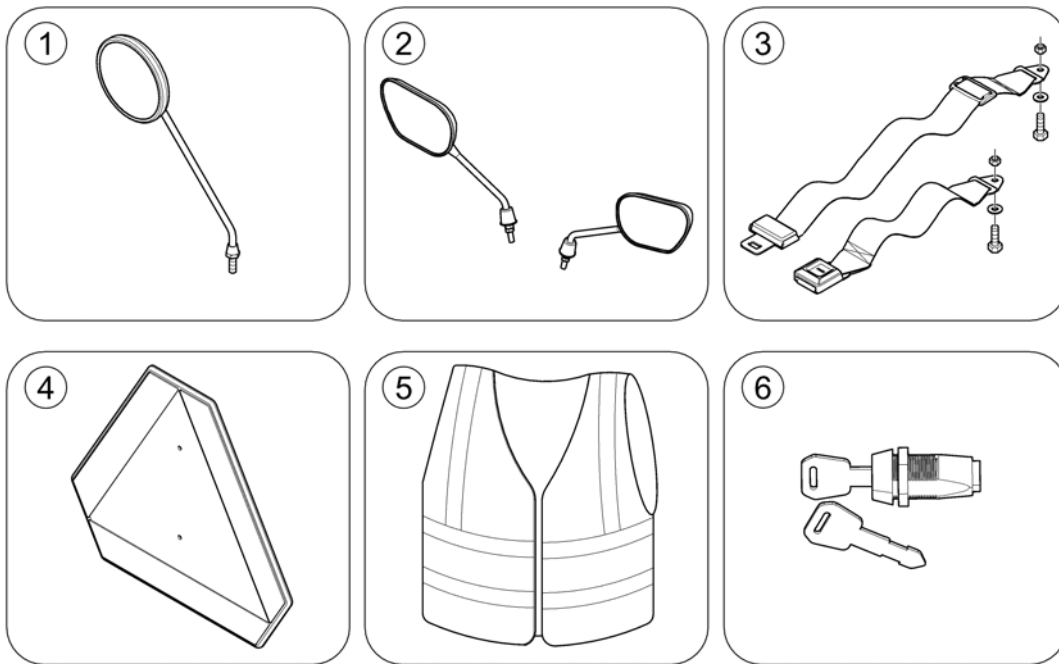
Pos.	Part number	Description	Valid from → until	Qty
1	SP1506153	Buzzer, cpl.		1
2	SP1523534	Cover, Charger-Inlett		1
3	SP1523543	Charger-Inlett		1
4	SP1523544	Bracket, Charger-Inlett		1
5	SP1505451	Key Cylinder (Standard)		1
6	SP1638848	P.C. Board LED		1
7	SP1638849	Meter & Lamp, P.C. Board LED		1
8	SP1505462	Variable Resistor 30KOhm, cpl.		1
9	SP1638847	Display cover & rubber keys (LED Display)		1
10	SP1608207	Knob, Speed control		1
11	SP1608204	Temperature sensor		1
12	SP1608185	Steering Upper Assembly LCD		1
13	SP1608200	Wig Wag, cpl.		1
14	SP1640514	Wire Harness - Metro		1
14	SP1608212	Wire harness - Pro		1
15	SP1638963	Steering Upper Assembly LED		1
16	SP1637215	Display cover & rubber keys (LCD Display)		1
17	SP1608208	P.C. Board LCD		1



Pos.	Part number	Description	Valid from → until	Qty
-	-	For Mounting the Speed Reduction Switch, the Adjustment Gauge SP1581766 is needed!		1
-	SP1581766	Adjustment Gauge, Speed Reduction Switch		1
1	SP1556266	Speed Limit Switch Box <i>Metro 6 km/h</i>		1
1	SP1556282	Speed Limit Switch Box <i>Metro &amp; Pro 10 km/h</i>		1
1	SP1556281	Speed Limit Switch Box <i>Metro 12 km/h / Pro 12-15 km/h</i>		1
2	SP1608230	Trigger, limit switch		1
3	SP1638850	Controller 90A <i>Metro &amp; Pro 6 km/h</i>		1
3	SP1553399	Controller, Rhino2, 120A, DS120 <i>Metro 10&amp;12 km/h / Pro 10-15 km/h</i>		1

# Safety

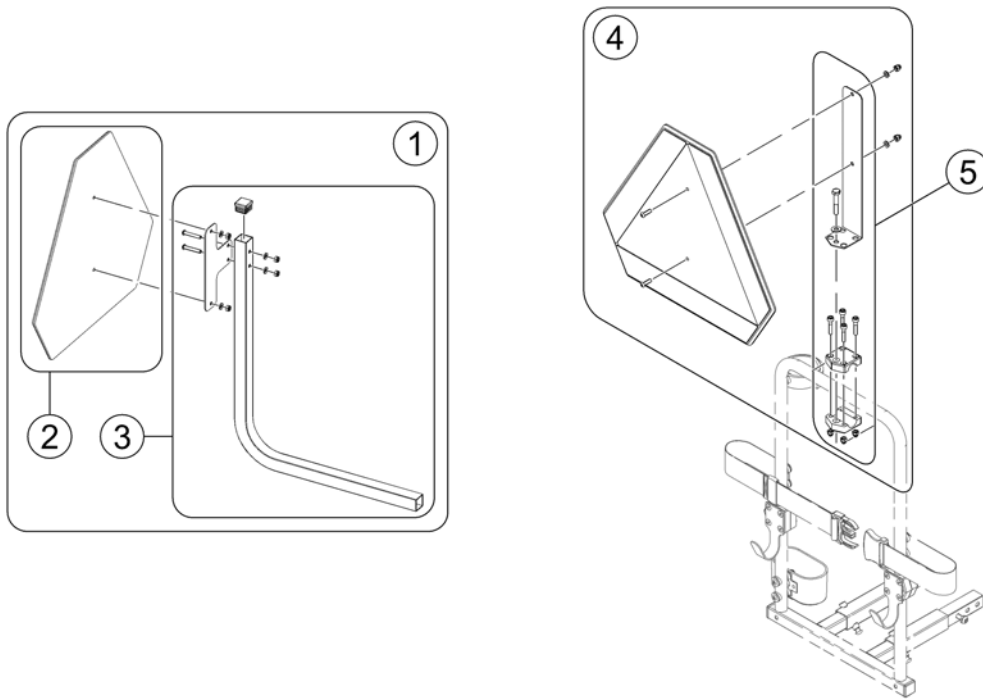
1540378 no



Pos.	Part number	Description	Valid from → until	Qty
1	SP1518241	Rear-view Mirror LH/RH, black		1
2	SP1637911	High-end rear mirror set		1
3	SP1518274	Lap Belt with Auto Lock Comet & Orion		1
4	-	Warning Triangle		1
5	SP1521592	Safety vest		1
6	SP1543154	Personal Key Cylinder + 2 Keys		1

# Warning Triangle

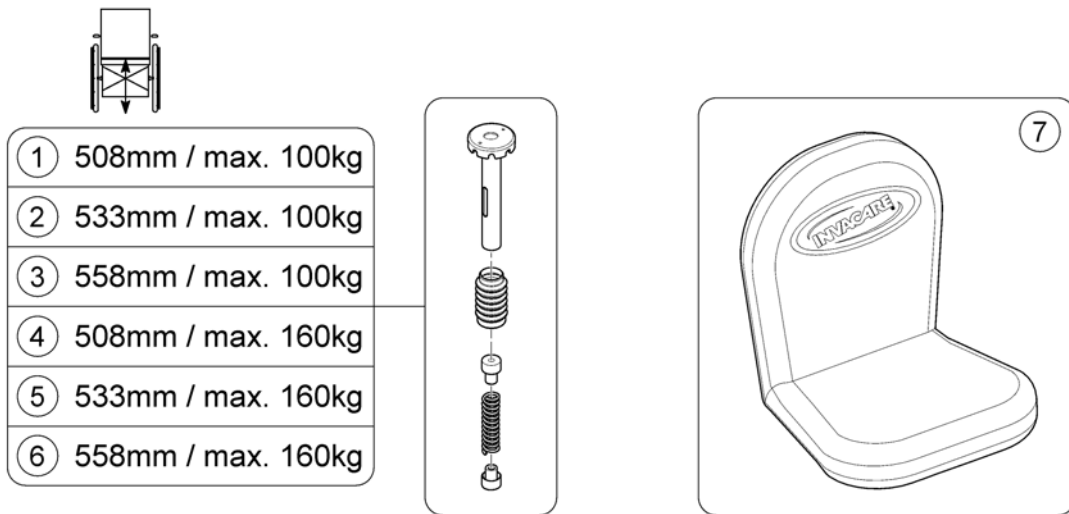
OrConFig.8.iso



Pos.	Part number	Description	Valid from → until	Qty
1	SP1523648	Warning Triangle Scooter		1
2	1430834	Rear Marking Sign ECE-R 69		1
3	SP1526913	Holder Warning Triangel		1
4	SP1430410	Reflective Sign ECE-R 69, complete		1
5	SP1580671	Bracket, Reflective Sign, cpl.		1

# Seating

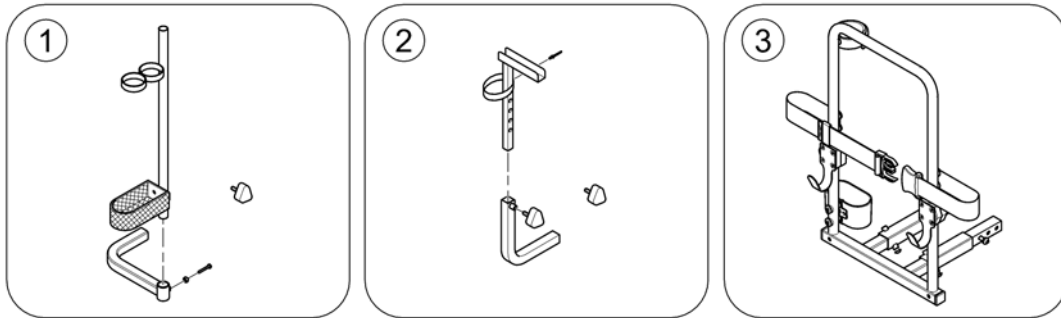
1640279.00



Pos.	Part number	Description	Valid from → until	Qty
1	SP1640422	Seat Suspension 201.5mm 201lbs		1
2	SP1640424	Seat Suspension 226.5mm 201lbs		1
3	SP1640426	Seat Suspension 251mm 201lbs		1
4	SP1640423	Seat Suspension 201.5mm 285lbs		1
5	SP1640425	Seat Suspension 226.5mm 285lbs		1
6	SP1640427	Seat Suspension 251mm 285lbs		1
7	SP1521684	Seat Cover Rain & Dirt protection <i>Not HD Seat!</i>		1

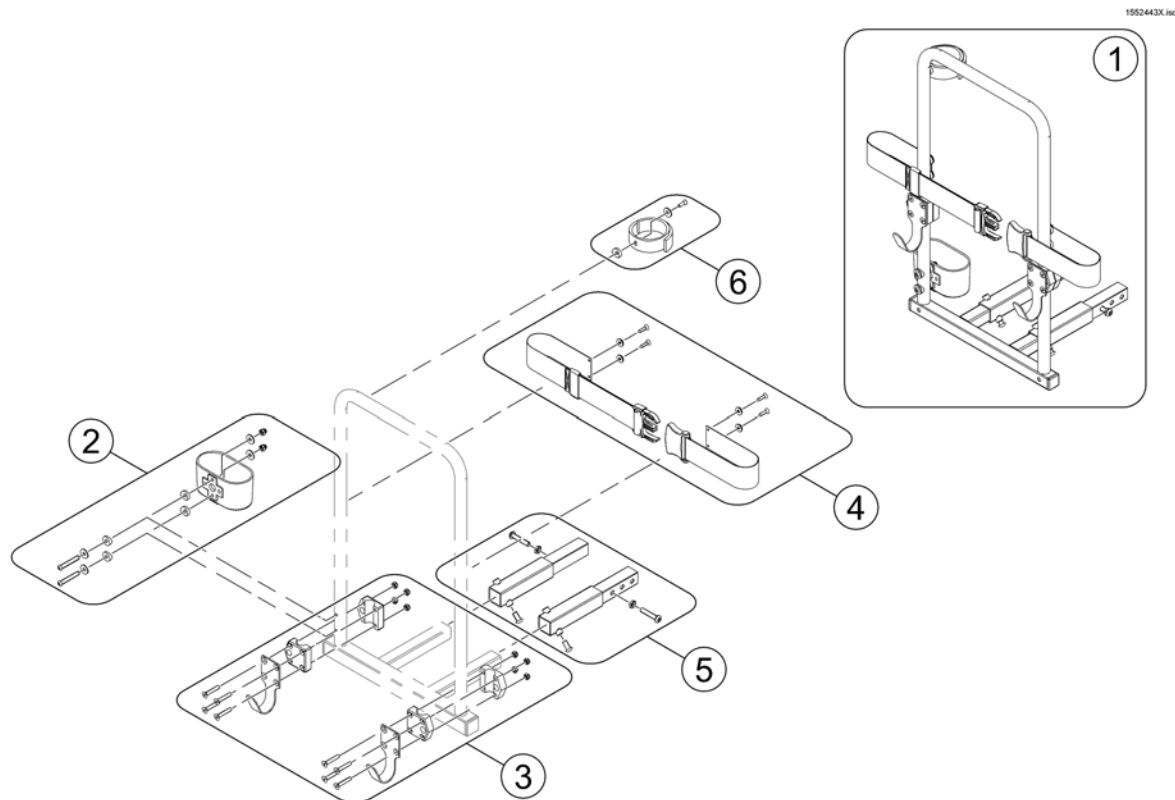
# Walking support

154030 iso



Pos.	Part number	Description	Valid from → until	Qty
1	SP1528274	Crutchholder, cpl.		1
2	SP1505728	Walking Frame Holder, cpl.		1
3	-	Rollator bracket		0

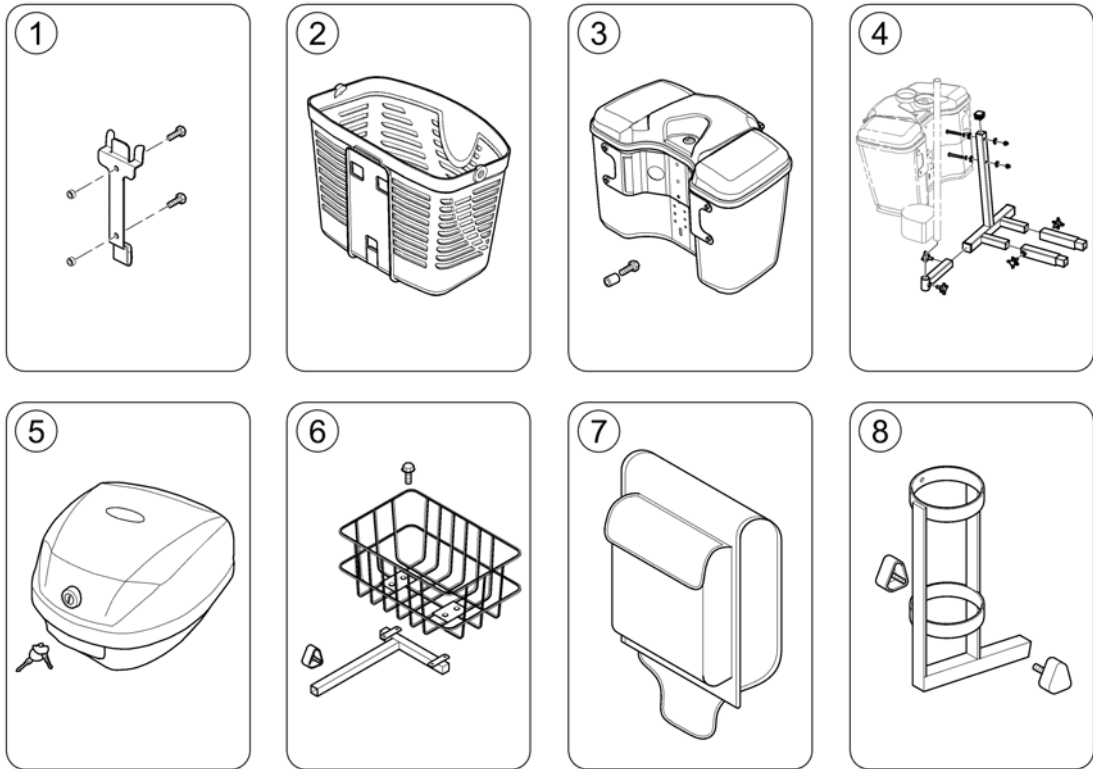
# Rollator bracket



Pos.	Part number	Description	Valid from → until	Qty
1	SP1553851	Rollator Holder		1
2	SP1560465	Cane peel, cpl.		1
3	SP1553890	Rollator hooks		1
4	SP1553891	Belt, cpl.		1
5	SP1552594	Extension tubes (Comet/Orion) <i>only needed for Orion &amp; Comet</i>		1
6	SP1640107	Strap, crutch holder, cpl.		1



## Storage

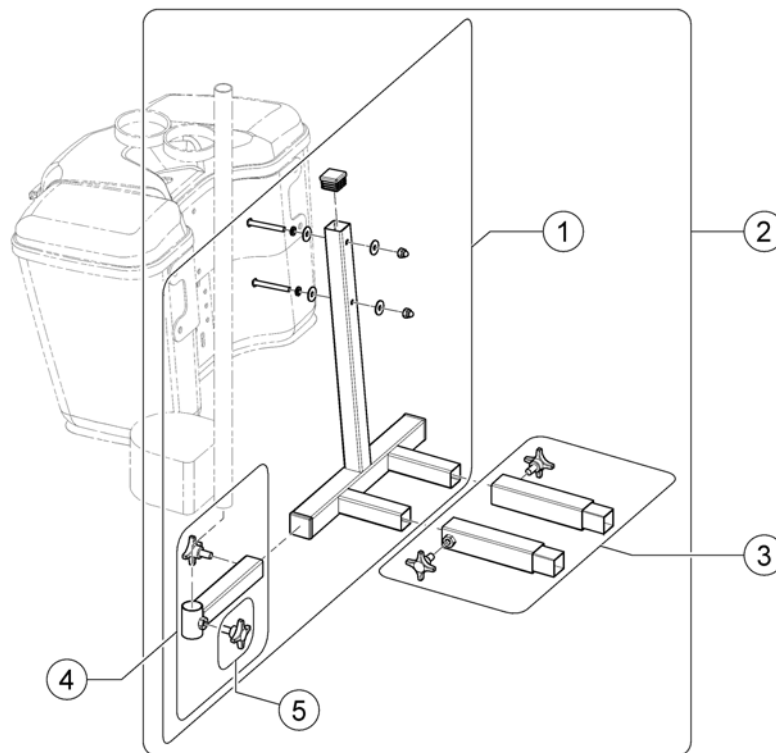


1540361-00

Pos.	Part number	Description	Valid from → until	Qty
1	SP1505924	Bracket, Front Basket, cpl.		1
2	SP1577430	Front Basket		1
2	SP1637915	Bigger front basket (incl. bracket) <i>Not shown / Non illustré / Nicht abgebildet</i>		1
3	SP1637910	Front Box Assembly - black		1
4	-	Storage box rear bracket		1
5	SP1637913	Lockabel rear storage box (incl. bracket)		1
6	SP1505727	Rear Basket, cpl.		1
7	SP1505731	Bag, Seat Rear		1
8	SP1572971	Oxygen Bottle Holder, cpl.		1

## Storage box rear bracket

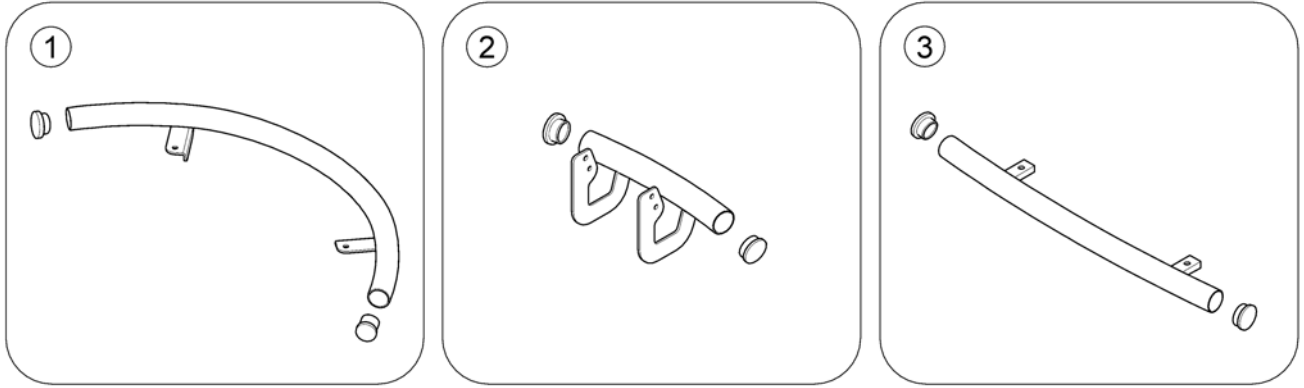
1552537X.00



Pos.	Part number	Description	Valid from → until	Qty
1	SP1552536	Rear bracket for Storage box (Leo)		1
2	SP1552537	Rear bracket for Storage Box (incl. Extension Tubes for Comet/Orion)		1
3	SP1552594	Extension tubes (Comet/Orion)		1
4	SP1553854	Crutch holder bracket		1
5	5824117	hand wheel M8x15		1

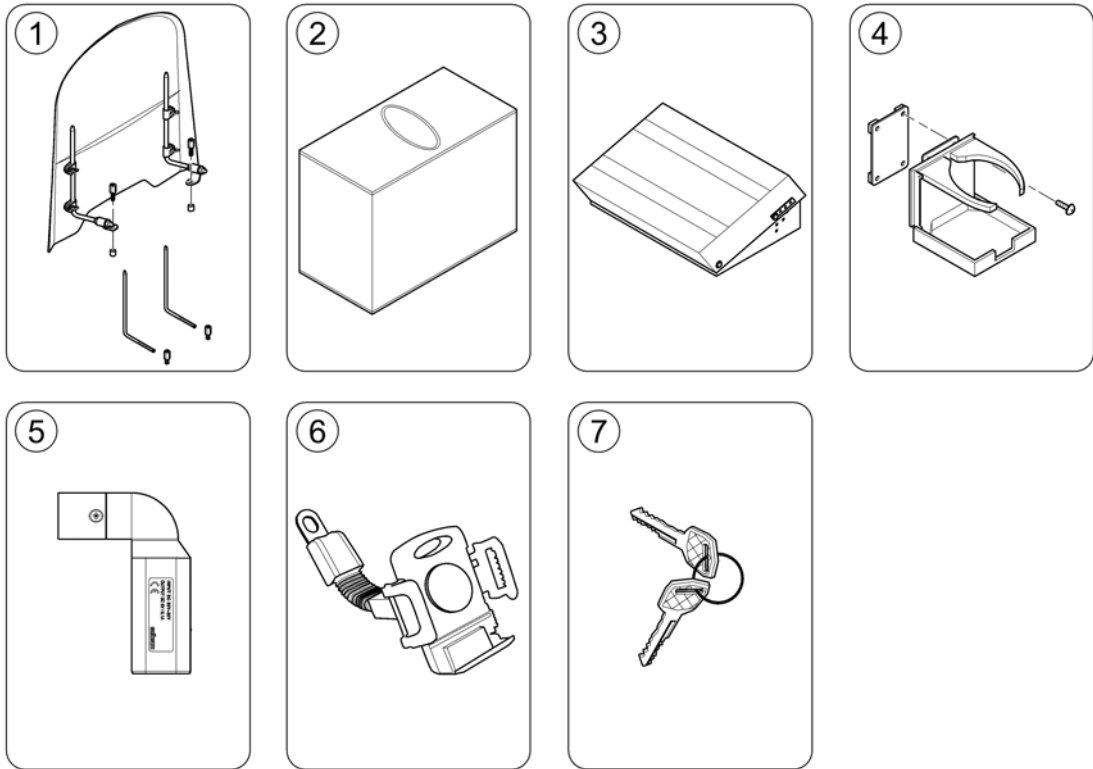
# Bumpers

1639792.00



Pos.	Part number	Description	Valid from → until	Qty
1	SP1528275	Front Bumper, 3-Wheeler		1
2	SP1638965	Front steel bumper - 4-Wheel		1
3	SP1638966	Rear steel bumper		1

## Other Accessories



1640362 00

Pos.	Part number	Description	Valid from → until	Qty
1	SP1543160	Windscreen		1
2	SP1518240	Storage Cover		1
3	SP1637914	Footrest, adjustable		1
4	SP1521594	Can Holder		1
5	SP1637917	USB charger		1
6	SP1637912	Mobile phone holder		1
7	SP1530211	Key, set of 2 (Standard)		1





Yes, you can.®



---

**Belgium & Luxemburg:**

Invacare nv, Autobaan 22, B-8210 Loppem  
Tel: (32) (0)50 83 10 10, Fax: (32) (0)50 83 10 11  
belgium@invacare.com / www.invacare.be

**Denmark:**

Invacare A/S, Sdr. Ringvej 37, DK-2605 Brøndby  
Tel: (45) (0)36 90 00 00, Fax: (45) (0)36 90 00 01  
denmark@invacare.com / www.invacare.dk

**Deutschland:**

Invacare Aquatec GmbH, Alemannenstraße 10, D-88316 Isny  
Tel: (49) (0)75 62 7 00 0, Fax: (49) (0)75 62 7 00 66  
info@invacare-aquatec.com / www.invacare-aquatec.de

**European Distributor Organisation:**

Invacare, Kleiststraße 49, D-32457 Porta Westfalica  
Tel: (49) (0)57 31 754 540, Fax: (49) (0)57 31 754 541  
edo@invacare.com / www.invacare.eu.com

**España:**

Invacare SA, c/Areny s/n, Polígon Industrial de Celrà, E-17460 Celrà (Girona)  
Tel: (34) (0)972 49 32 00, Fax: (34) (0)972 49 32 20  
contactsp@invacare.com / www.invacare.es

**France:**

Invacare Poirier SAS, Route de St Roch, F-37230 Fondettes  
Tel: (33) (0)2 47 62 64 66, Fax: (33) (0)2 47 42 12 24  
contactfr@invacare.com / www.invacare.fr

**Ireland:**

Invacare Ireland Ltd, Unit 5 Seatown Business Campus, Seatown Road, Swords, County Dublin - Ireland  
Tel: (353) 1 810 7084, Fax: (353) 1 810 7085  
ireland@invacare.com / www.invacare.ie

**Italia:**

Invacare Mecc San s.r.l., Via dei Pini 62, I-36016 Thiene (VI)  
Tel: (39) 0445 38 00 59, Fax: (39) 0445 38 00 34  
italia@invacare.com / www.invacare.it

**Nederland:**

Invacare BV, Celsiusstraat 46, NL-6716 BZ Ede  
Tel: (31) (0)318 695 757, Fax: (31) (0)318 695 758  
nederland@invacare.com, csede@invacare.com / www.invacare.nl

**Norge:**

Invacare AS, Grensesvingen 9, Postboks 6230, Etterstad, N-0603 Oslo  
Tel: (47) (0)22 57 95 00, Fax: (47) (0)22 57 95 01  
norway@invacare.com, island@invacare.com / www.invacare.no

**Österreich:**

Invacare Austria GmbH, Herzog Odilostrasse 101, A-5310 Mondsee  
Tel: (43) 6232 5535 0, Fax: (43) 6232 5535 4  
info-austria@invacare.com / www.invacare.at

**Portugal:**

Invacare Lda, Rua Estrada Velha, 949, P-4465-784 Leça do Balio  
Tel: (351) (0)225 1059 46/47, Fax: (351) (0)225 1057 39  
portugal@invacare.com / www.invacare.pt

**Sverige & Suomi:**

Invacare AB, Fagerstagatan 9, S-163 91 Spånå  
Tel: (46) (0)8 761 70 90, Fax: (46) (0)8 761 81 08  
sweden@invacare.com, finland@invacare.com / www.invacare.se

**Switzerland:**

Invacare AG, Benkenstrasse 260, CH-4108 Witterswil  
Tel: (41) (0)61 487 70 80, Fax: (41) (0)61 487 70 81  
switzerland@invacare.com / www.invacare.ch

**United Kingdom:**

Invacare Limited, Pencoed Technology Park, Pencoed, Bridgend CF35 5AQ  
Switchboard Tel: (44) (0)1656 776200, Fax: (44) (0)1656 776201  
Customer services Tel: (44) (0)1656 776222, Fax: (44) (0)1656 776220  
uk@invacare.com / www.invacare.co.uk