

Spare Parts Catalogue

Version: 2018/03/20a EN



Invacare®
Comet^{PRO} / Comet^{ALPINE+} / Comet^{ULTRA}



Yes, you can.®

General Information

For any order of spare parts the following information is required:

- Product type*
- Product name & model*
- Serial Number*
- Part-Number*
- Part-Description*

Exploded view drawings and code numbers are not contractual and subject to modification, in relation to Invacare® continuous product improvement policy to meet end users needs.

The reproduction or use of this work, or of any substantial part of this work, in any form or by any electronic, mechanical or other means, including photocopying, scanning and recording, and in any information storage and retrieval system, including electronic transmission, is forbidden without the prior written permission of Invacare® International Sarl.



Yes, you can.®

TABLE OF CONTENTS

Information & User Manuals

| | |
|--|---|
| User Manuals Comet Pro / Alpine+ / Ultra | 5 |
|--|---|

Chassis, Shrouds & Lights

| | |
|--------------------------------|----|
| Front frame | 6 |
| Front shroud | 7 |
| Rear Swing | 8 |
| Rear Shrouds | 9 |
| Colour panels (6 pieces) | 10 |
| Light system | 11 |

Seating

| | |
|-------------------------|----|
| Seats & Headrests | 12 |
| Seat Post | 13 |
| Seat Bracket | 14 |
| Slide Assembly | 15 |
| Armrests | 16 |

Wheels

| | |
|-------------------------|----|
| Wheels - 5" rim | 17 |
| Wheels - 8" rim | 18 |
| Anti-tipper wheel | 19 |

Propulsion

| | |
|------------------------------|----|
| Motors & Differentials | 20 |
|------------------------------|----|

Brakes

| | |
|----------------------|----|
| Brake assembly | 21 |
|----------------------|----|

Steering

| | |
|------------------------|----|
| Steering | 22 |
| Suspension | 23 |
| Steering linkage | 24 |

Batteries, Cables & Charger

| | |
|------------------------|----|
| Battery & Cables | 25 |
| Chargers | 26 |

Electronic

| | |
|--|----|
| Electronic components | 27 |
| Powerbox & Limit trigger speed limit | 28 |

Options & Accessories

| | |
|------------------------|----|
| Safety | 29 |
| Warning Triangle | 30 |
| Seating | 31 |



Yes, you can.®

TABLE OF CONTENTS

| | |
|--------------------------------|----|
| Walking support | 32 |
| Rollator bracket | 33 |
| Storage | 34 |
| Storage box rear bracket | 35 |
| Bumpers | 36 |
| Other Accessories | 37 |

User Manuals Comet Pro / Alpine+ / Ultra

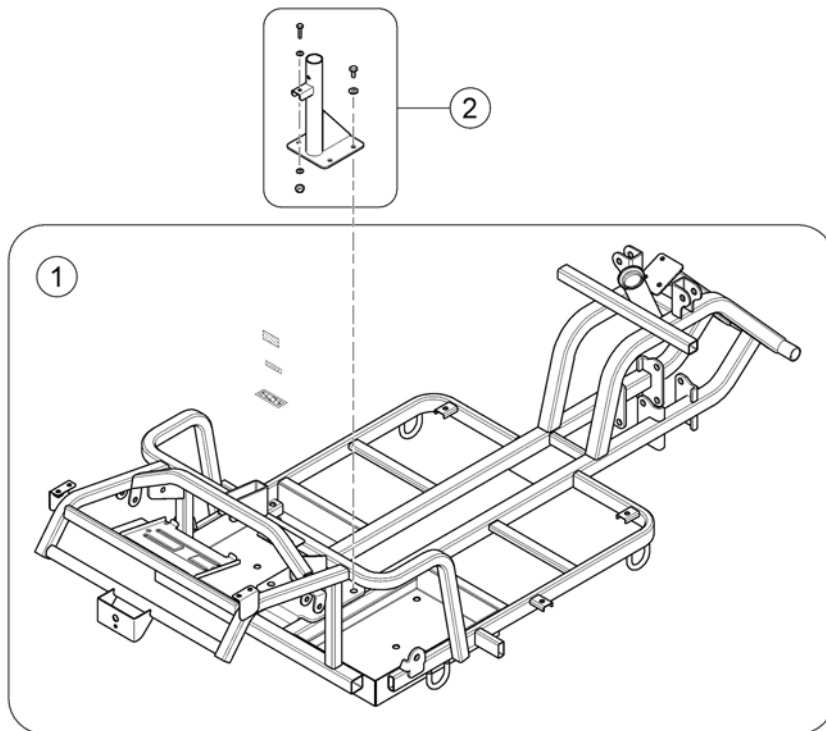
languages.iso

| | | | | | | | |
|----|-----------|----|----------|----|------------|----|-------------|
| BG | Български | FR | Français | NL | Nederlands | SL | Slovenščina |
| CS | Čeština | HE | עברית | NO | Norsk | SV | Svenska |
| DA | Dansk | HR | Hrvatski | PL | Polski | UK | Українська |
| DE | Deutsch | HU | Magyar | PT | Português | | |
| EN | English | IT | Italiano | RU | Русский | | |
| ES | Español | JA | 日本語 | RO | Română | | |
| ET | Eesti | LV | Latviešu | SA | العربية | | |
| FI | Suomi | LT | Lietuvių | SK | Slovenčina | | |

| Pos. | Part number | Description | Valid from → until | Qty |
|------|--------------|--|--------------------|-----|
| | EN SP1603455 | User Manual Comet Pro / Alpine+ / Ultra - English | | 1 |
| | DE SP1608099 | User Manual Comet Pro / Alpine+ / Ultra - German | | 1 |
| | IT SP1608100 | User Manual Comet Pro / Alpine+ / Ultra - Italian | | 1 |
| | NL SP1608101 | User Manual Comet Pro / Alpine+ / Ultra - Dutch | | 1 |
| | NO SP1608102 | User Manual Comet Pro / Alpine+ / Ultra - Norwegian | | 1 |
| | HR SP1638425 | User Manual Comet Pro / Alpine+ / Ultra - Croatian | | 1 |
| | CS SP1638456 | User Manual Comet Pro / Alpine+ / Ultra - Czech | | 1 |
| | DA SP1638457 | User Manual Comet Pro / Alpine+ / Ultra - Danish | | 1 |
| | ET SP1638458 | User Manual Comet Pro / Alpine+ / Ultra - Estonian | | 1 |
| | FI SP1638459 | User Manual Comet Pro / Alpine+ / Ultra - Finnish | | 1 |
| | FR SP1638460 | User Manual Comet Pro / Alpine+ / Ultra - French | | 1 |
| | HU SP1638461 | User Manual Comet Pro / Alpine+ / Ultra - Hungarian | | 1 |
| | LV SP1638469 | User Manual Comet Pro / Alpine+ / Ultra - Latvian | | 1 |
| | LT SP1638505 | User Manual Comet Pro / Alpine+ / Ultra - Lithuanian | | 1 |
| | PL SP1638506 | User Manual Comet Pro / Alpine+ / Ultra - Polish | | 1 |
| | PT SP1638550 | User Manual Comet Pro / Alpine+ / Ultra - Portuguese | | 1 |
| | SK SP1638551 | User Manual Comet Pro / Alpine+ / Ultra - Slovenian | | 1 |
| | ES SP1638552 | User Manual Comet Pro / Alpine+ / Ultra - Spanish | | 1 |
| | SV SP1638553 | User Manual Comet Pro / Alpine+ / Ultra - Swedish | | 1 |
| | UK SP1638554 | User Manual Comet Pro / Alpine+ / Ultra - Ukrainian | | 1 |

Front frame

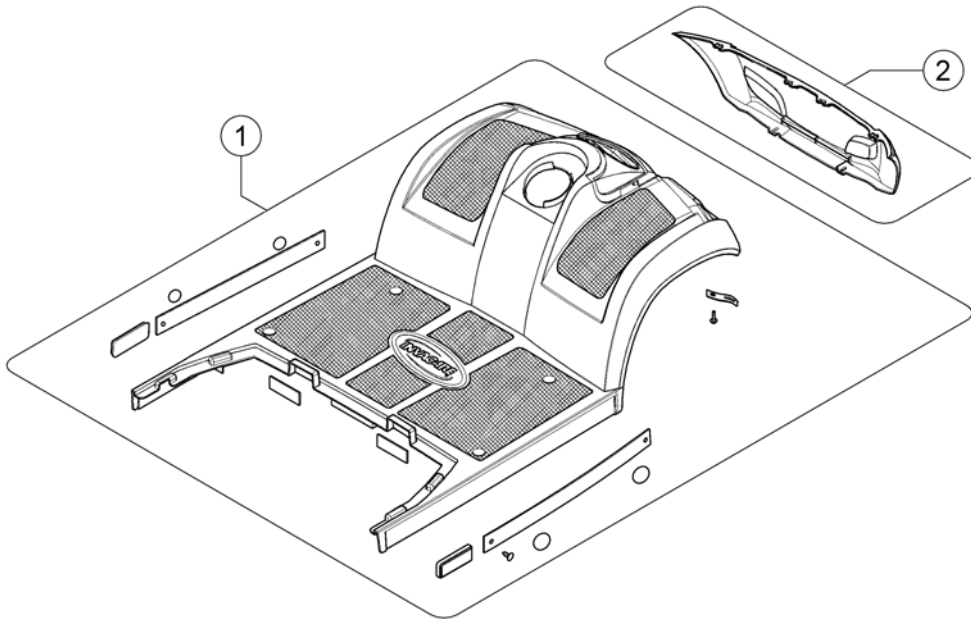
1637038-00



| Pos. | Part number | Description | Valid from → until | Qty |
|------|-------------|--------------------|--------------------|-----|
| 1 | SP1636815 | Front frame | | 1 |
| 2 | SP1636817 | Lower seat bracket | | 1 |

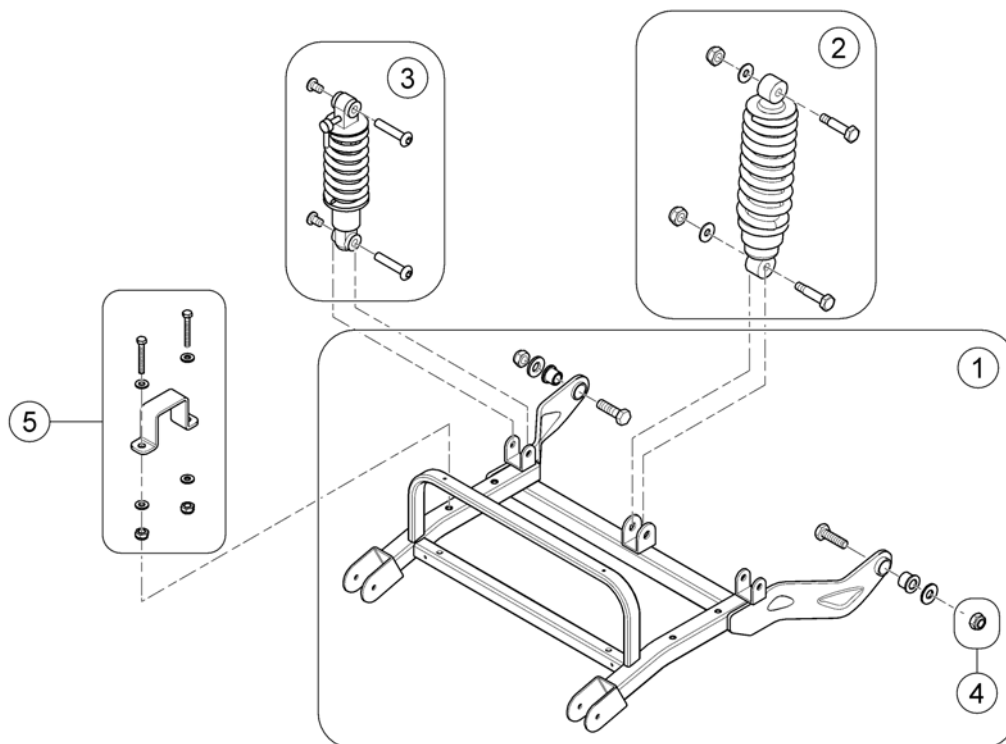
Front shroud

1637108.00



| Pos. | Part number | Description | Valid from → until | Qty |
|------|-------------|---------------------|--------------------|-----|
| 1 | SP1636818 | Front shroud | | 1 |
| 2 | SP1608232 | Cover, front bumper | | 1 |

Rear Swing

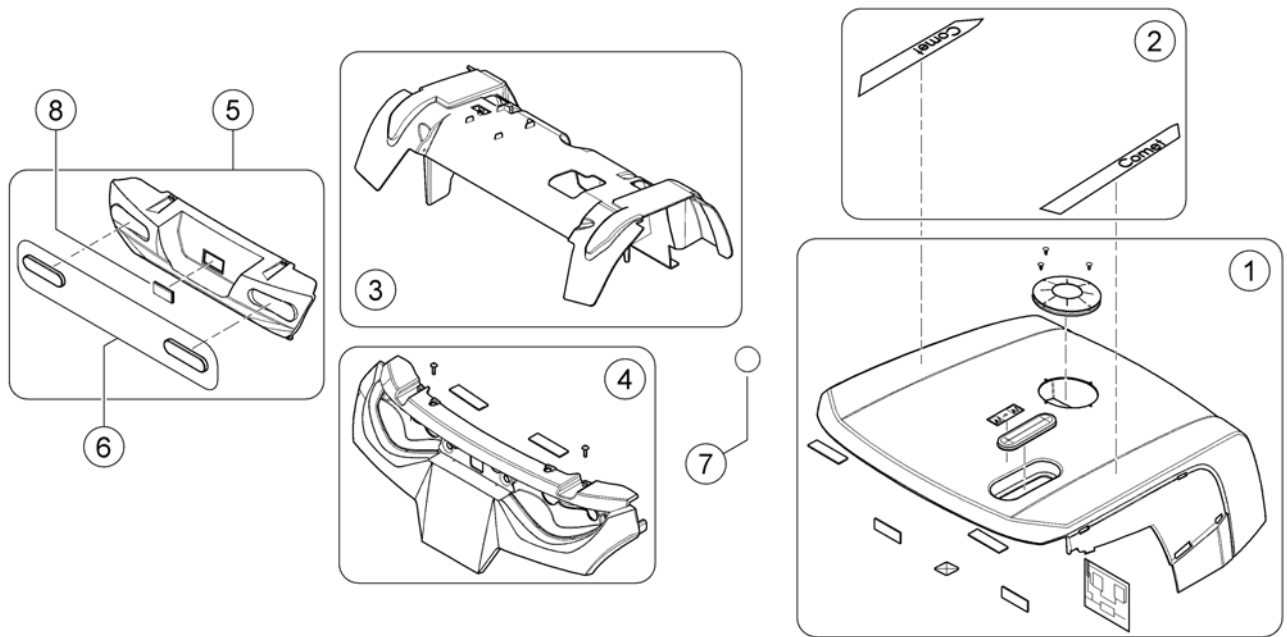


1637105.150

| Pos. | Part number | Description | Valid from → until | Qty |
|------|-------------|---|--------------------|-----|
| 1 | SP1636825 | Rear swing arm cpl. <i>Design change - fully retrofittable</i> | | 1 |
| 2 | SP1645145 | Shock absorber (central), cpl. | | 1 |
| 3 | SP1636838 | Shock absorber (sideways), cpl. | | 2 |
| 4 | SP1505589 | Nylon Nut | | 2 |
| 5 | SP1636837 | Holder, Differential, cpl. | | 2 |

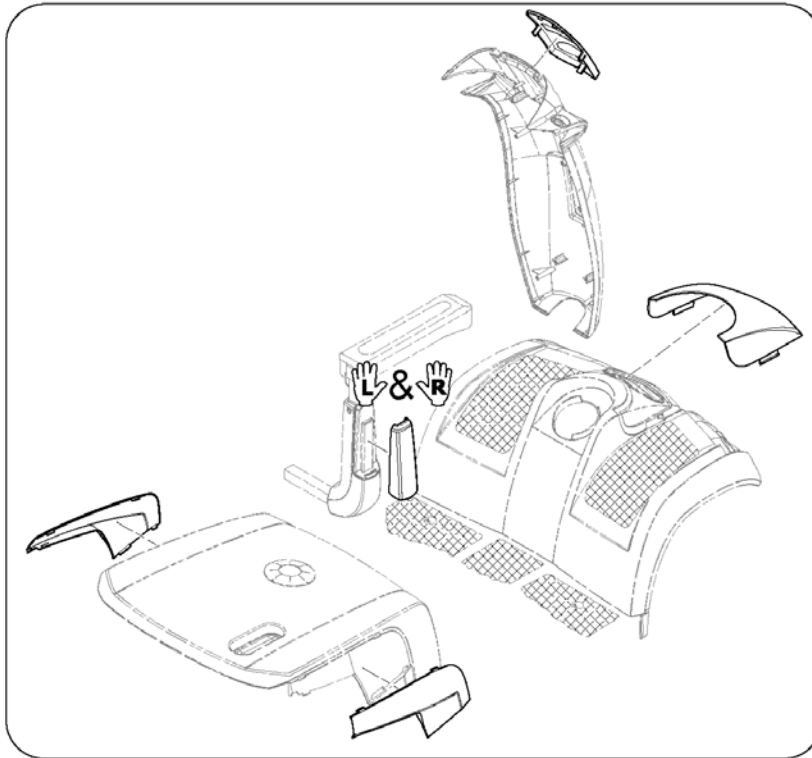
Rear Shrouds

1637107.000



| Pos. | Part number | Description | Valid from → until | Qty |
|------|-------------|--|--------------------|-----|
| 1 | SP1608258 | Rear shroud (w/o model labels) | | 1 |
| 2 | SP1608259 | Label Set - Pro | | 1 |
| 2 | SP1637306 | Label Set - Alpine+ | | 1 |
| 2 | SP1637462 | Label Set - Ultra | | 1 |
| 3 | SP1608261 | Rear Fender | | 1 |
| 4 | SP1636839 | Cover, rear bumper (upper part) | | 1 |
| 5 | SP1608260 | Cover, rear bumper (lower part) | | 1 |
| 6 | SP1518036 | Reflector (with E-Mark) | | 1 |
| 7 | SP1608262 | Indication stickers, shock absorber (Ultra only) | | 2 |
| 8 | SP1521879 | Plug, Bumper Rear | | 1 |

Colour panels (6 pieces)

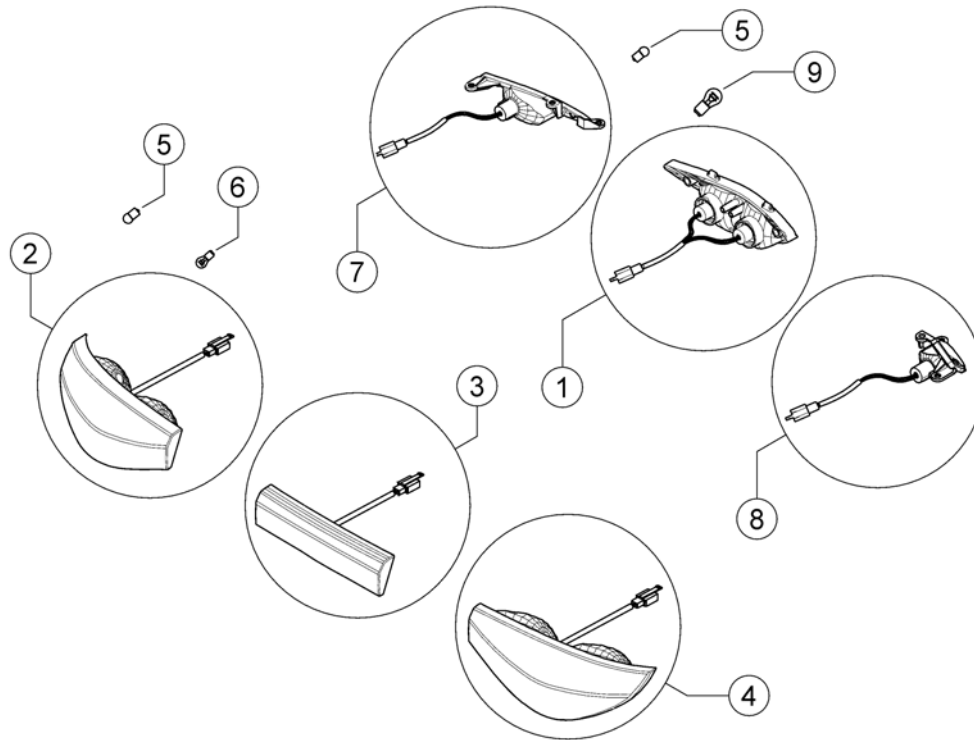


1637123.000

| Pos. | Part number | Description | Valid from → until | Qty |
|------|-------------|--|--------------------|-----|
| 1 | SP1608821 | Color panels - Marble White (Classic Line) | | 1 |
| 2 | SP1608822 | Color panels - Jade Green (Classic Line) | | 1 |
| 3 | SP1608823 | Color panels - Sapphire Blue (Classic Line) | | 1 |
| 4 | SP1608831 | Color panels - Diamond Silver (Classic Line) | | 1 |
| 5 | SP1608832 | Color panels - Jasper Red (Classic Line) | | 1 |
| 6 | SP1637415 | Color panels - Luxor Beige (Premium Line) | | 1 |
| 7 | SP1637416 | Color panels - Crystal Copper (Premium Line) | | 1 |
| 8 | SP1637417 | Color panels - Carmine Red (Premium Line) | | 1 |
| 9 | SP1637418 | Color panels - Electric Blue (Premium Line) | | 1 |
| 10 | SP1637419 | Color panels - Ionic Chrome (Premium Line) | | 1 |
| 11 | SP1637420 | Color panels - Polygon, shades of red | | 1 |
| 12 | SP1637421 | Color panels - Polygon, shades of blue | | 1 |
| 13 | SP1637422 | Color panels - Hexagon, shades of white | | 1 |

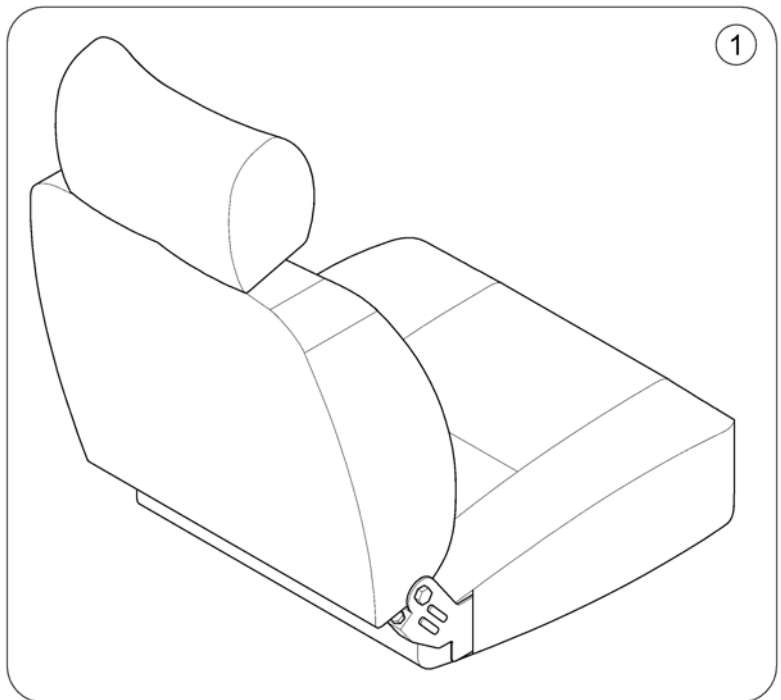
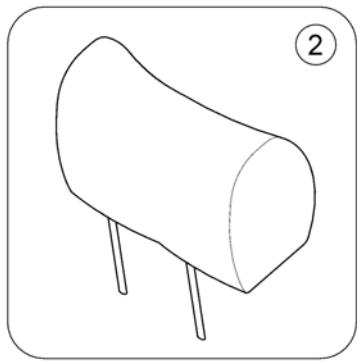
Light system

1542472.00



| Pos. | Part number | Description | Valid from → until | Qty |
|------|-------------|-----------------------------------|--------------------|-----|
| 1 | SP1527473 | Head light, cpl. | | 1 |
| 2 | SP1518034 | Rear Light incl. Turn Signal - LH | | 1 |
| 3 | SP1518035 | Brake Light, cpl. | | 1 |
| 4 | SP1518033 | Rear Light incl. Turn Signal - RH | | 1 |
| 5 | SP1522030 | Bulb Turn Signal 24V/10W | | 4 |
| 6 | SP1522034 | Bulb Rear Light 24V/5W | | 1 |
| 7 | SP1517733 | Turn signal, front - LH | | 1 |
| 8 | SP1517734 | Turn signal, front - RH | | 1 |
| 9 | SP1527474 | Bulb Head Light 12V/15W | | 2 |

Seats & Headrests

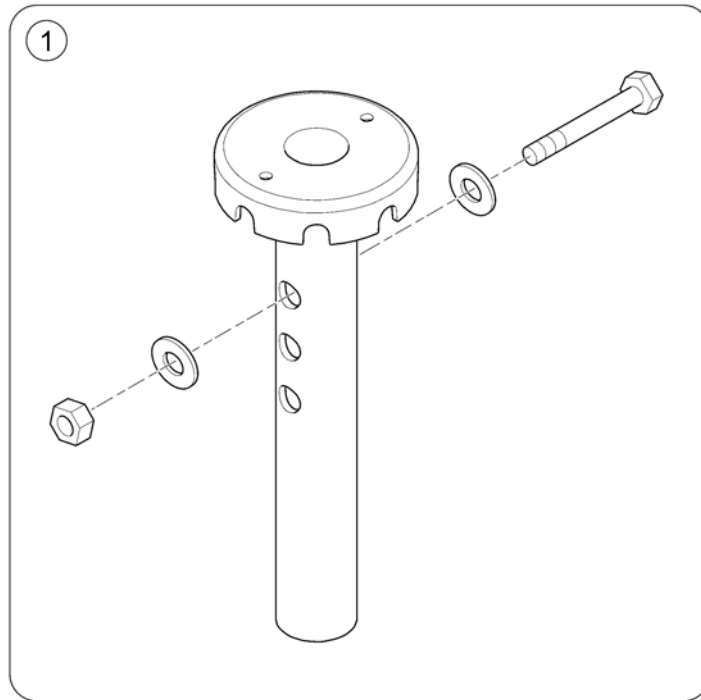


1639746.00

| Pos. | Part number | Description | Valid from → until | Qty |
|------|-------------|--|--------------------|-----|
| 1 | SP1608540 | Seat 20" Comfort | | 1 |
| 1 | SP1586116 | Seat 20", double white stitching <i>Deluxe Seat (DE = Komfort Sitz)</i> | | 1 |
| 1 | SP1608556 | Seat 20" Premium | | 1 |
| 1 | SP1584887 | Seat 20" HD <i>NORWAY only!</i> | | 1 |
| 1 | SP1586115 | Seat 26" Ultra (HD), double white stitching | | 1 |
| 2 | SP1529380 | Headrest Standard/Comfort Seat | | 1 |
| 2 | SP1642145 | Headrest Premium Seat | | 1 |
| 2 | SP1602195 | Headrest HD Seat | | 1 |

Seat Post

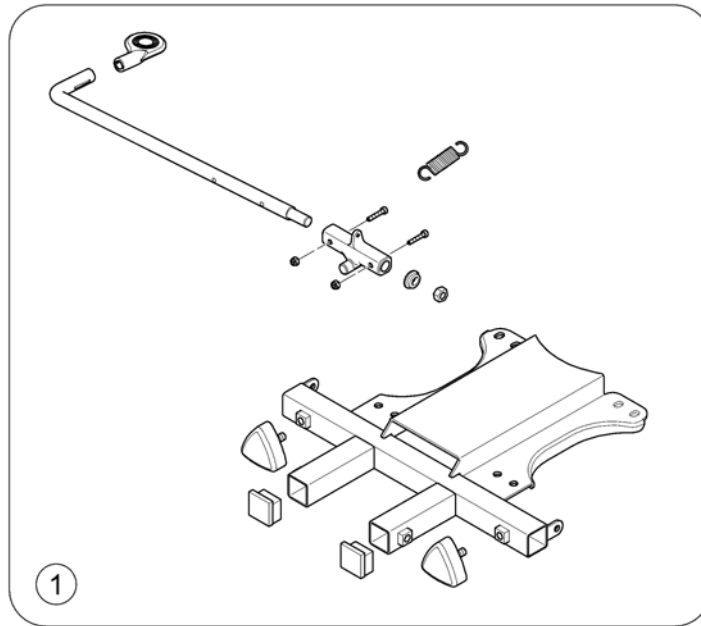
1637084.00



| Pos. | Part number | Description | Valid from → until | Qty |
|------|-------------|-------------------------|--------------------|-----|
| 1 | SP1521691 | Seat Post | | 1 |
| 1 | SP1640520 | Seat Post - Comet ULTRA | | 1 |

Seat Bracket

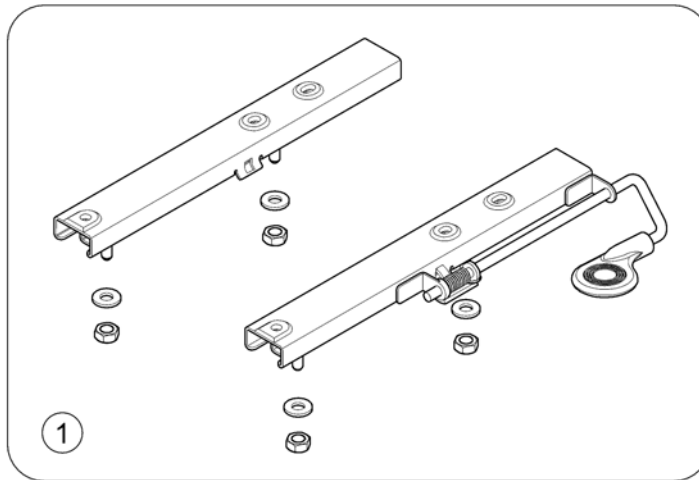
1637085.00



| Pos. | Part number | Description | Valid from → until | Qty |
|------|-------------|-----------------------------|--------------------|-----|
| 1 | SP1636855 | Seat Bracket Assembly, cpl. | | 1 |

Slide Assembly

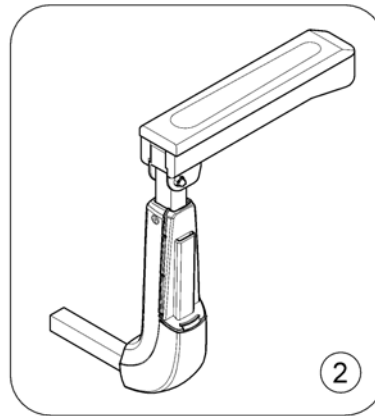
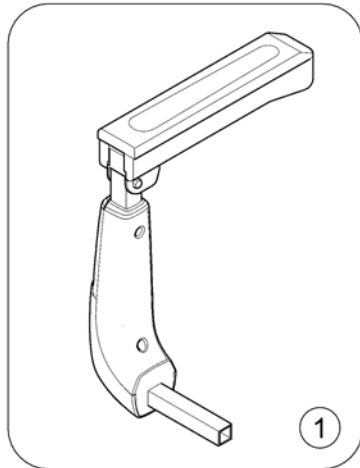
1637086-00



| Pos. | Part number | Description | Valid from → until | Qty |
|------|-------------|-----------------------------------|--------------------|-----|
| 1 | SP1521690 | Slide Assembly | | 1 |
| 1 | SP1645013 | Slide Assembly OrionPRO 3W <150kg | | 1 |

Armrests

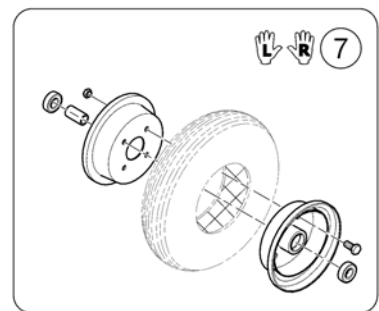
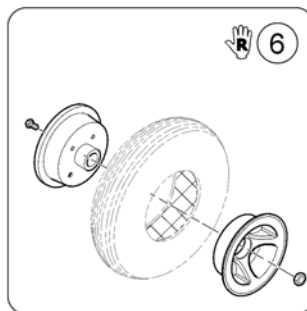
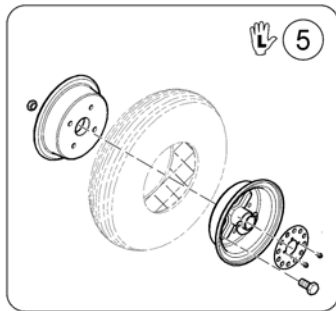
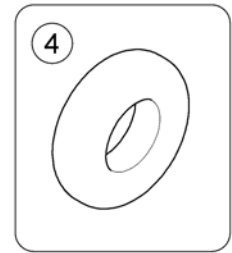
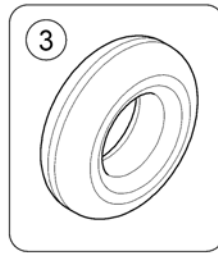
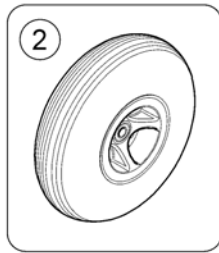
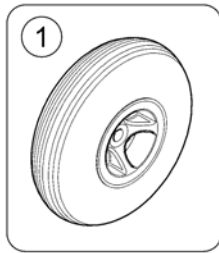
163296-00



| Pos. | Part number | Description | Valid from → until | Qty |
|------|-------------|-----------------------|--------------------|-----|
| 1 | SP1636858 | Armrest, cpl. - LH | | 1 |
| 1 | SP1641799 | Armrest HD, cpl. - LH | | 1 |
| 2 | SP1636857 | Armrest, cpl. - RH | | 1 |
| 2 | SP1641800 | Armrest HD, cpl. - RH | | 1 |

Wheels - 5" rim

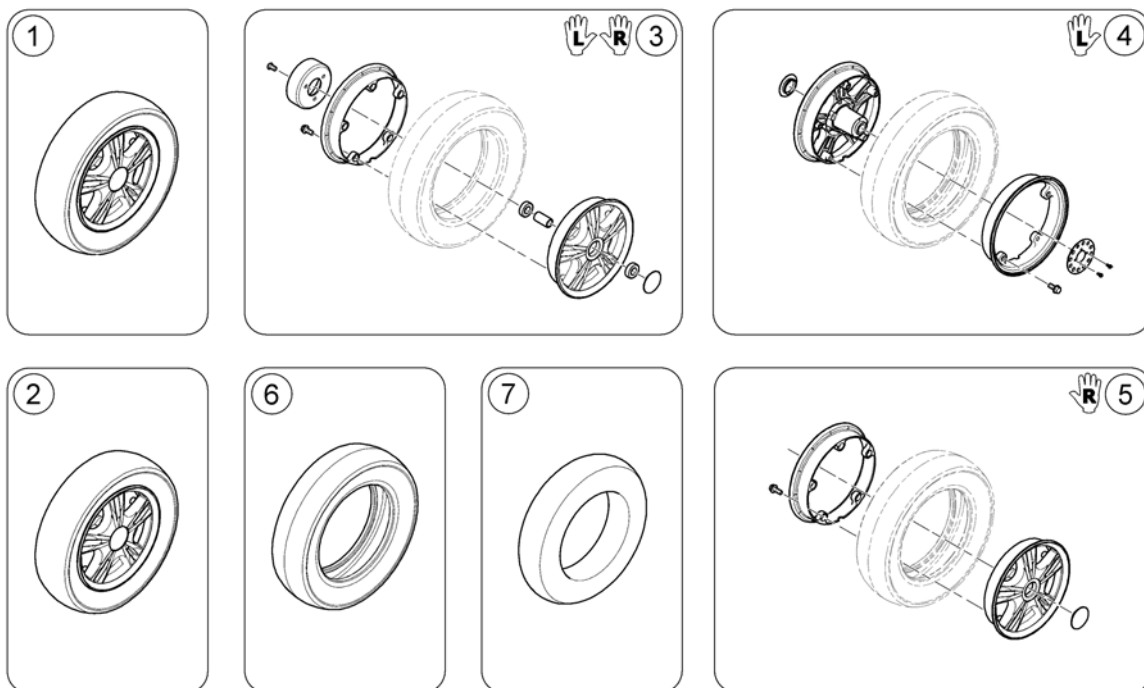
1639752-00



| Pos. | Part number | Description | Valid from → until | Qty |
|------|-------------|--|--------------------|-----|
| 1 | SP1608676 | Rear Wheel 13", pneumatic, 5" rim, LH | | 1 |
| 1 | SP1637429 | Rear Wheel 13", pneumatic, 5" rim, RH | | 1 |
| 1 | SP1608775 | Rear Wheel 13", puncture proof, 5" rim, LH | | 1 |
| 1 | SP1637431 | Rear Wheel 13", puncture proof, 5" rim, RH | | 1 |
| 2 | SP1608594 | Front Wheel 13", pneumatic, 5" rim | | 1 |
| 2 | SP1608696 | Front Wheel 13", puncture proof, 5" rim | | 1 |
| 3 | SP1640471 | Tyre 13" (4.00-5) - black | | 1 |
| 3 | SP1586119 | Solid Tyre PU 4.00-5 - black | | 1 |
| 4 | SP1527714 | Tube 4.00-5 | | 1 |
| 5 | SP1638864 | 5" Rim Kit, Rear | | 1 |
| 6 | SP1638838 | 5" Rim Kit, Rear | | 1 |
| 7 | SP1638837 | Front rim 5" - Comet | | 1 |

Wheels - 8" rim

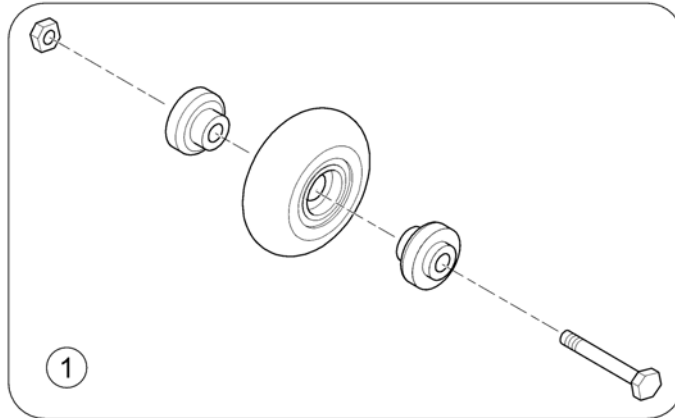
1639753.00



| Pos. | Part number | Description | Valid from → until | Qty |
|------|-------------|--|--------------------|-----|
| 1 | SP1608797 | Front Wheel 13", pneumatic, Low Profile, 8" rim | | 1 |
| 2 | SP1608819 | Rear Wheel 13", pneumatic, Low Profile, 8" rim, LH | | 1 |
| 2 | SP1637433 | Rear Wheel 13", pneumatic, Low Profile, 8" rim, RH | | 1 |
| 3 | SP1638855 | Front rim 8" | | 1 |
| 4 | SP1638842 | Rear rim 8" LH | | 1 |
| 5 | SP1638856 | Rear rim 8" RH | | 1 |
| 6 | SP1638843 | Tyre 13" for 8" rim | | 1 |
| 7 | SP1638979 | Tube 13" for 8" rim | | 1 |

Anti-tipper wheel

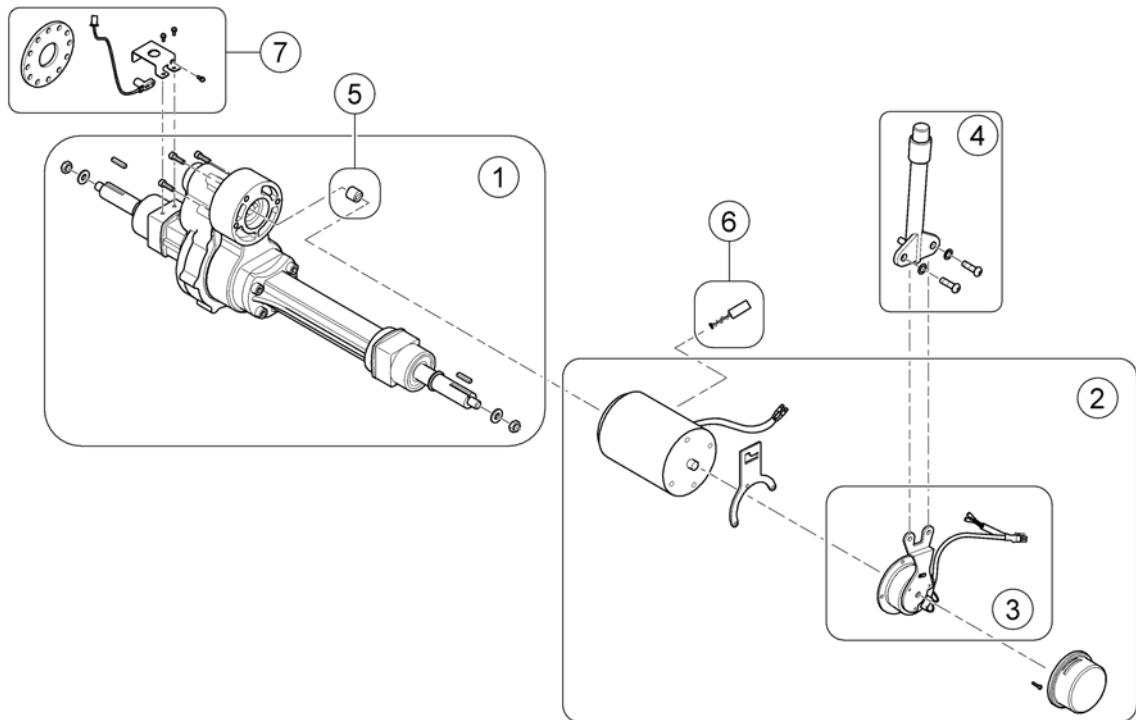
1637088-00



| Pos. | Part number | Description | Valid from → until | Qty |
|------|-------------|--------------------|--------------------|-----|
| 1 | SP1522021 | Wheel, Anti-Tipper | | 1 |

Motors & Differentials

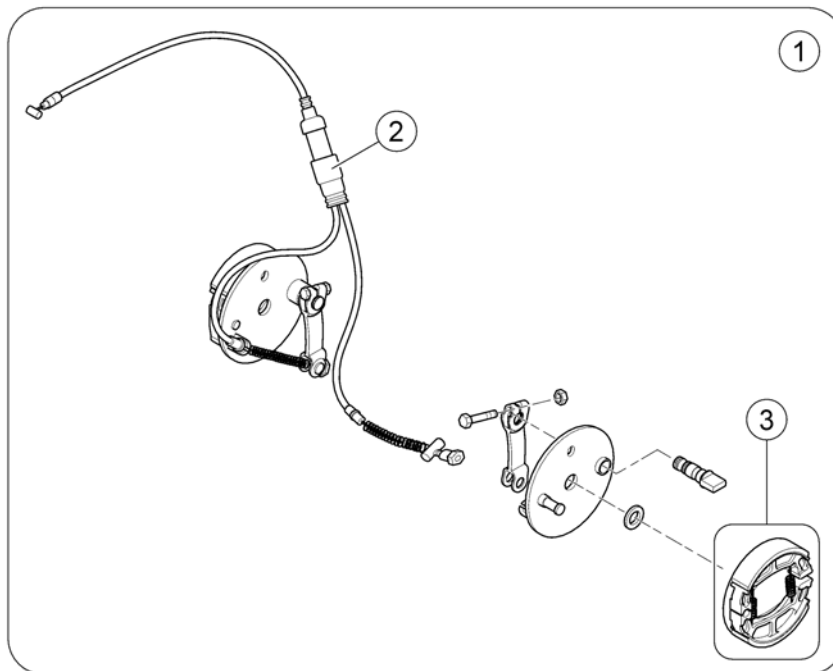
1637109.00



| Pos. | Part number | Description | Valid from → until | Qty |
|------|-------------|---|--------------------|-----|
| 1 | SP1636893 | Differential - Pro | | 1 |
| 1 | SP1636894 | Differential - Alpine+ & Ultra | | 1 |
| 2 | SP1608264 | Motor 10 km/h - Pro | | 1 |
| 2 | SP1608265 | Motor 12.8 km/h - Pro | | 1 |
| 2 | SP1608266 | Motor 15 km/h - Pro | | 1 |
| 2 | SP1636875 | Motor 10 km/h - Alpine+ & Ultra | | 1 |
| 3 | SP1636879 | Clutch & Brake <i>10 km/h (Pro)</i> | | 1 |
| 3 | SP1636891 | Clutch & Brake <i>12.8 & 15 km/h (Pro)</i> | | 1 |
| 3 | SP1636892 | Clutch & Brake <i>10 km/h (Alpine+ / Ultra)</i> | | 1 |
| 4 | SP1505672 | Disclutching Lever L=113,2mm, cpl. | | 1 |
| 5 | SP1571584 | Guide | | 1 |
| 6 | SP1636876 | Carbon brush <i>10 km/h (Pro)</i> | | 1 |
| 6 | SP1636877 | Carbon brush <i>12.8 & 15 km/h (Pro)</i> | | 1 |
| 6 | SP1636878 | Carbon brush <i>10 km/h (Alpine+ / Ultra)</i> | | 1 |
| 7 | SP1643083 | Kit, Speed Sensor, cpl. <i>replaces item SP1636874</i> | | 1 |

Brake assembly

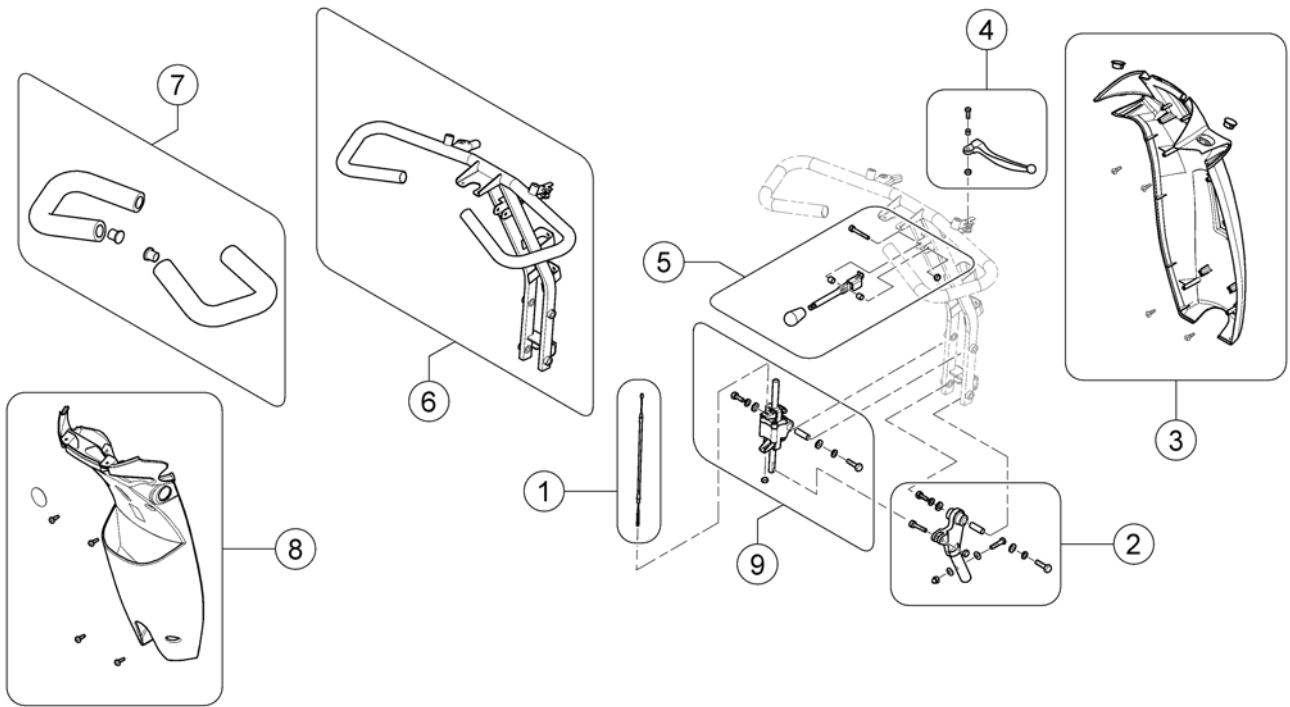
163822-00



| Pos. | Part number | Description | Valid from → until | Qty |
|------|-------------|--------------------------|--------------------|-----|
| 1 | SP1636873 | Brake Assembly | | 1 |
| 2 | SP1608231 | Brake Cable | | 1 |
| 3 | SP1518418 | Brake Shoes, cpl. (95mm) | | 1 |

Steering

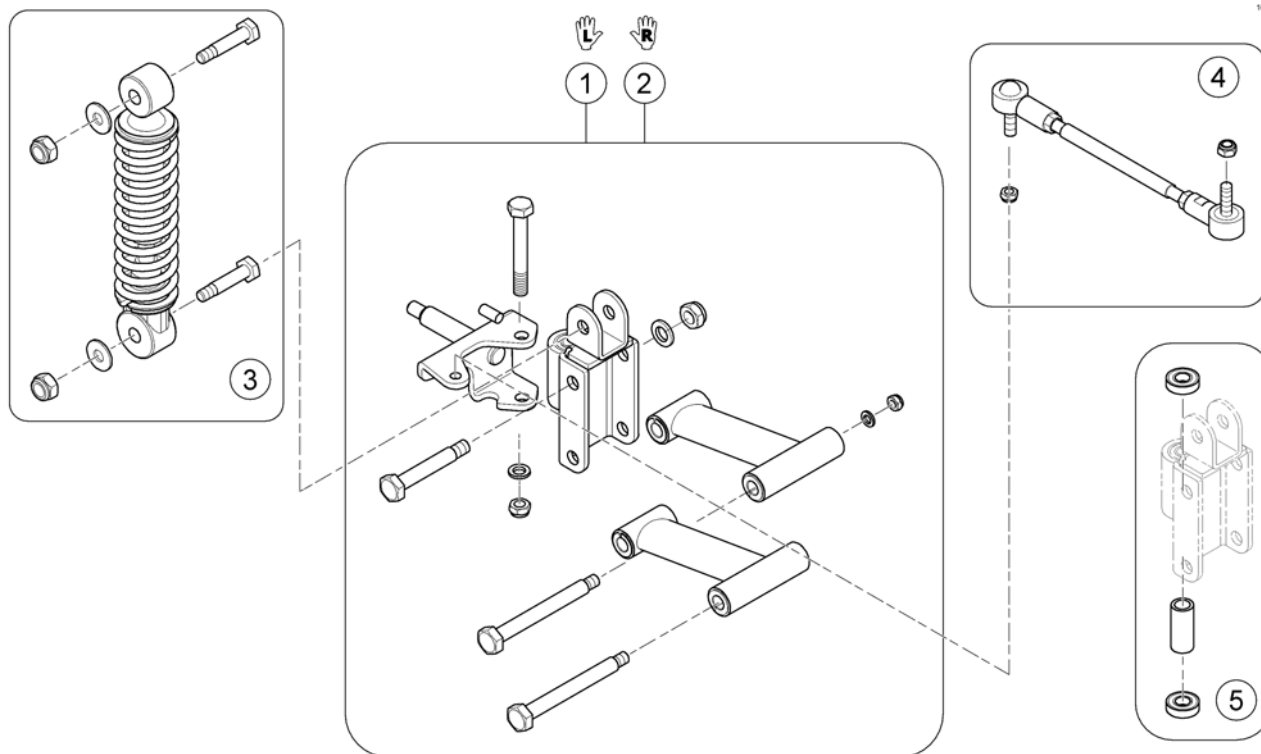
1637057/00



| Pos. | Part number | Description | Valid from → until | Qty |
|------|-------------|------------------------------------|--------------------|-----|
| 1 | SP1608201 | Cable, steering adj. | | 1 |
| 2 | SP1636812 | Joint, steering adjustment, cpl. | | 1 |
| 3 | SP1608205 | Front steering cover | | 1 |
| 4 | SP1636804 | Lever, Brake - RH | | 1 |
| 5 | SP1636813 | Lever, steering adjustment | | 1 |
| 6 | SP1608184 | Steering | | 1 |
| 7 | SP1636767 | Grip, Handle Bar, cpl. | | 1 |
| 8 | SP1636814 | Rear steering cover | | 1 |
| 9 | SP1608202 | Steering adjustment Assembly, cpl. | | 1 |

Suspension

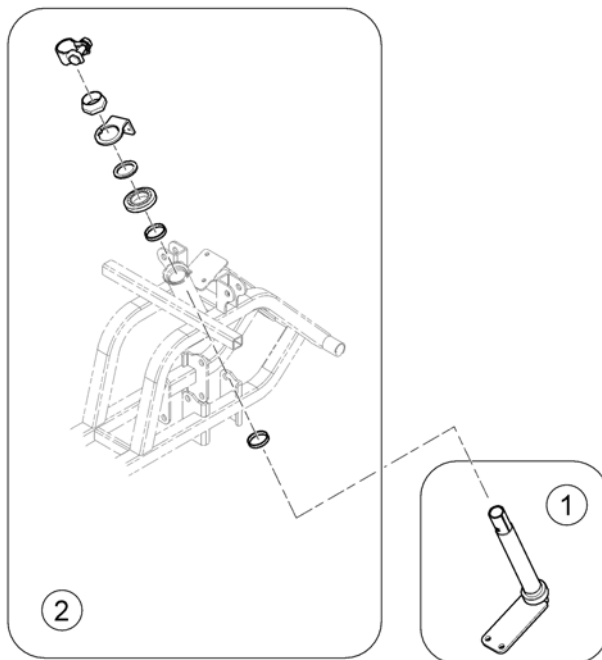
1637106.00



| Pos. | Part number | Description | Valid from → until | Qty |
|------|-------------|------------------------|--------------------|-----|
| 1 | SP1636860 | Suspension - LH | | 1 |
| 2 | SP1636862 | Suspension - RH | | 1 |
| 3 | SP1636864 | Front suspension, cpl. | | 1 |
| 4 | SP1636872 | Rod Assembly, cpl. | | 1 |
| 5 | SP1636859 | Bearing Kit | | 1 |

Steering linkage

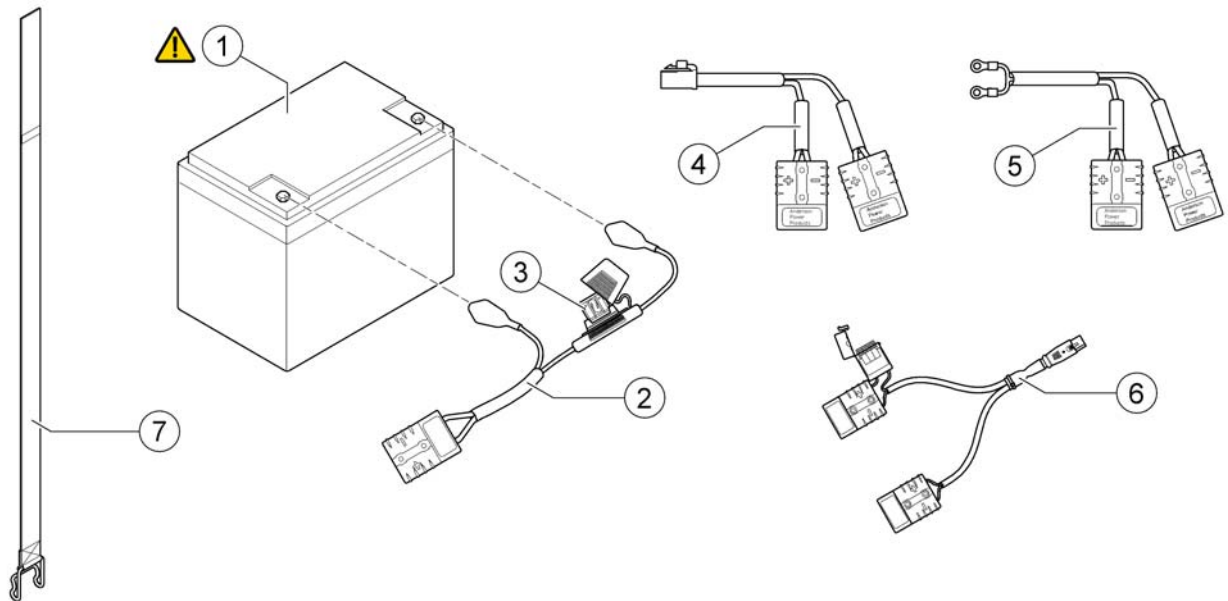
1637083.00



| Pos. | Part number | Description | Valid from → until | Qty |
|------|-------------|-----------------------|--------------------|-----|
| 1 | SP1608211 | Steering bar assembly | | 1 |
| 2 | SP1636816 | Bearing Kit | | 1 |

Battery & Cables

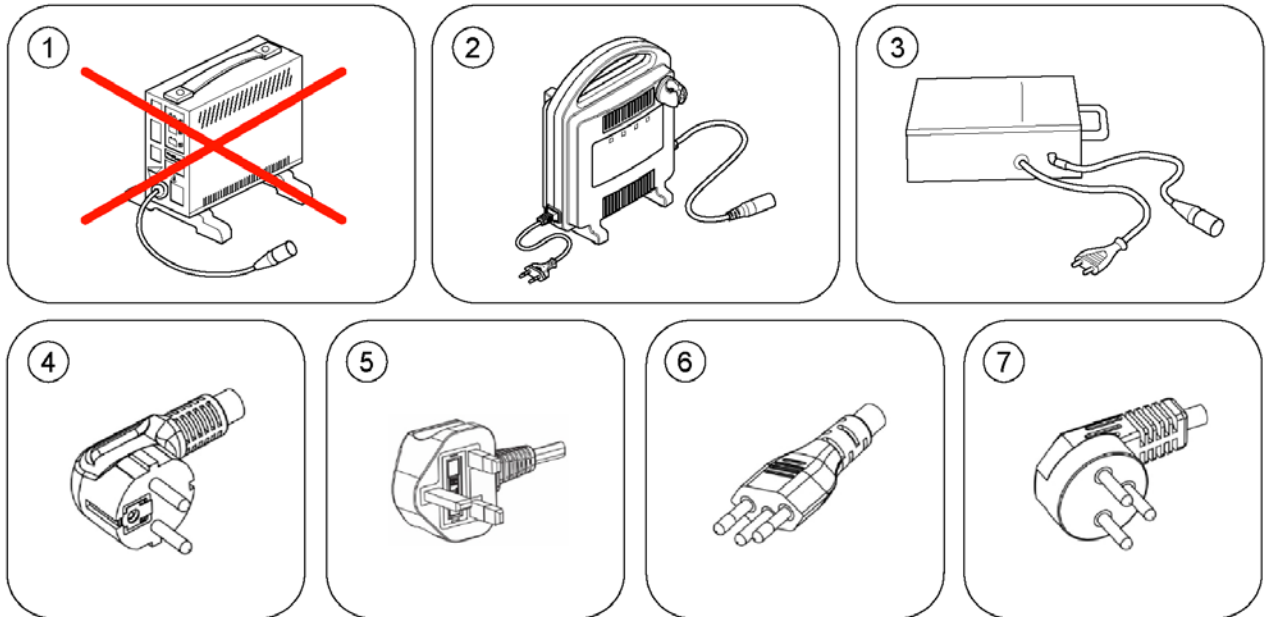
1037121.00



| Pos. | Part number | Description | Valid from → until | Qty |
|------|-------------|--|--------------------|-----|
| ! | - | Important advice! Replace batteries in pairs. Never mix: manufactures, date codes or technologies (Gel with AGM batteries) | | 0 |
| 1 | SP1522026 | Battery, 12V/75Ah C20, AGM | | 2 |
| 2 | SP1636819 | Fuse battery cable (70A) <i>PRO</i> | | 1 |
| 2 | SP1636822 | Fuse battery cable (100A) <i>ALPINE+ & ULTRA</i> | | 1 |
| 3 | SP1636823 | Fuse 70A | | 1 |
| 3 | SP1636824 | Fuse 100A | | 1 |
| 4 | SP1608209 | Wire, Battery Output <i>PRO</i> | | 1 |
| 5 | SP1608210 | Wire, Battery Output <i>ALPINE+ & ULTRA</i> | | 1 |
| 6 | SP1641608 | Off board charging cable V0 | | 1 |
| 7 | SP1521758 | Battery strap | | 1 |

Chargers

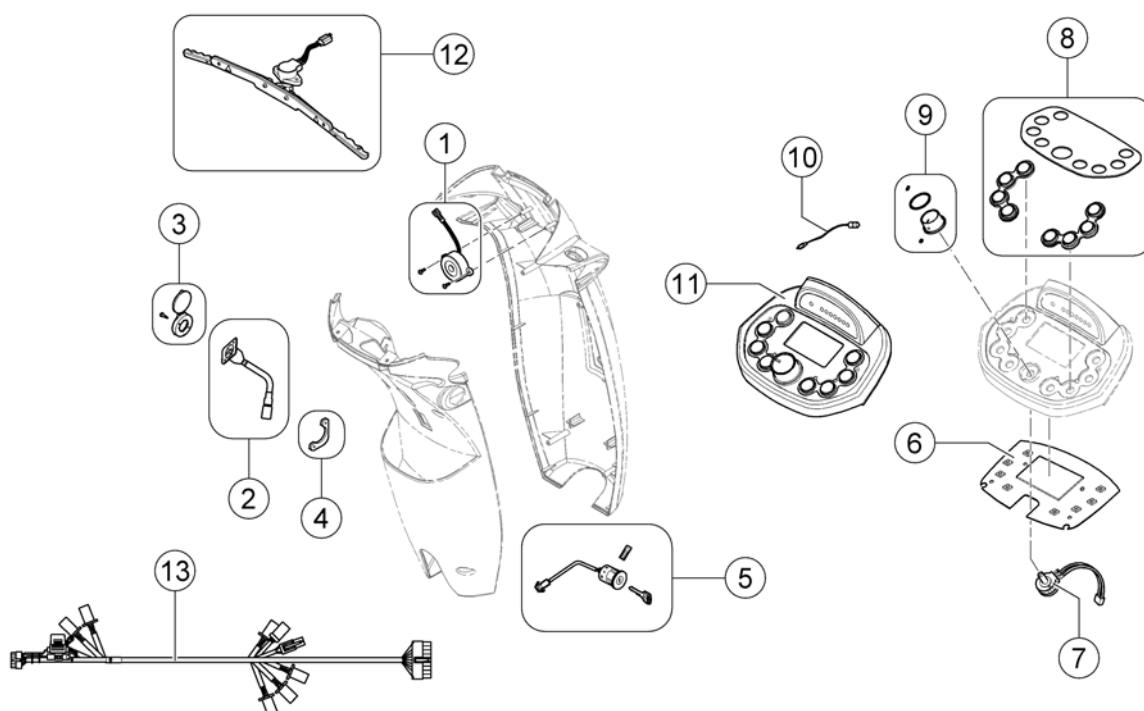
1641261.00



| Pos. | Part number | Description | Valid from → until | Qty |
|------|-------------|--|--------------------|-----|
| 1 | - | No longer available. | | 1 |
| 2 | SP1606541 | Charger OptiCharge 8A - EU Plug <i>[1343]</i> | | 1 |
| 2 | SP1606543 | Charger OptiCharge 8A - UK Plug <i>[1343]</i> | | 1 |
| 3 | 5813987 | Charger GI Popular 8A (IP54) incl. Power Cord Continental (Sweden only) <i>[1388]</i> | | 1 |
| 4 | P21079 | Power Cord EU (IEC 60210-C13 / CEE 7/7 Type F 'Schuko') | | 1 |
| 5 | P21080 | Charger Cable (UK) | | 1 |
| 6 | 1443841 | Power Cord Swiss (IEC 60320-C13 / SEV 1011 Type J) | | 1 |
| 7 | SP1553849 | Power Cord Israel (IEC 60320-C13 / SI 32 Type H) | | 1 |

Electronic components

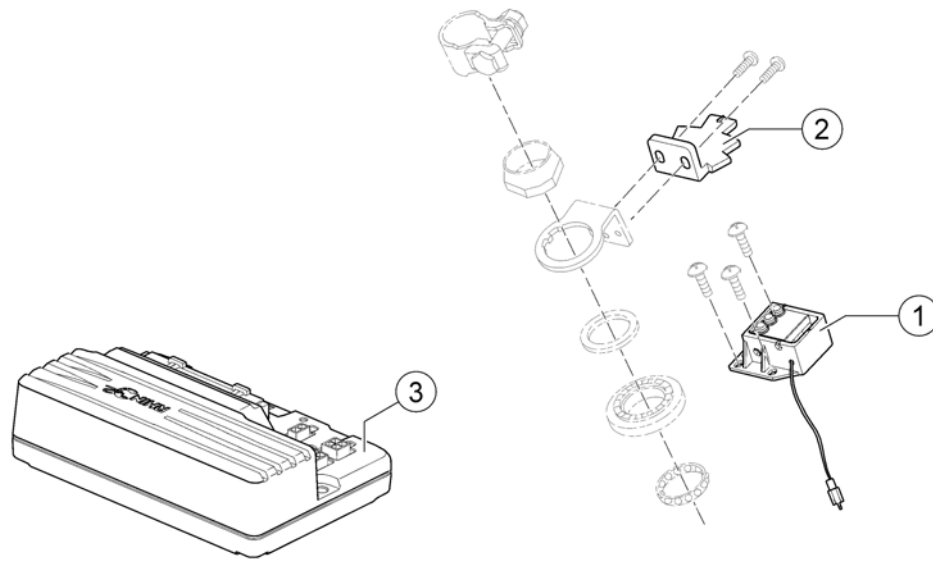
1637110.iso



| Pos. | Part number | Description | Valid from → until | Qty |
|------|-------------|---|--------------------|-----|
| 1 | SP1506153 | Buzzer, cpl. | | 1 |
| 2 | SP1523543 | Charger-Inlett | | 1 |
| 3 | SP1523534 | Cover, Charger-Inlett | | 1 |
| 4 | SP1523544 | Bracket, Charger-Inlett | | 1 |
| 5 | SP1505451 | Key Cylinder (Standard) | | 1 |
| 6 | SP1608208 | P.C. Board LCD | | 1 |
| 7 | SP1505462 | Variable Resistor 30KOhm, cpl. | | 1 |
| 8 | SP1637215 | Display cover & rubber keys (LCD Display) | | 1 |
| 9 | SP1608207 | Knob, Speed control | | 1 |
| 10 | SP1608204 | Temperature sensor | | 1 |
| 11 | SP1608185 | Steering Upper Assembly LCD | | 1 |
| 12 | SP1608200 | Wig Wag, cpl. | | 1 |
| 13 | SP1608212 | Wire harness - Pro | | 1 |
| 13 | SP1608229 | Wire harness - Alpine+ & Ultra | | 1 |
| - | SP1521577 | Fuse 10A | | 1 |

Powerbox & Limit trigger speed limit

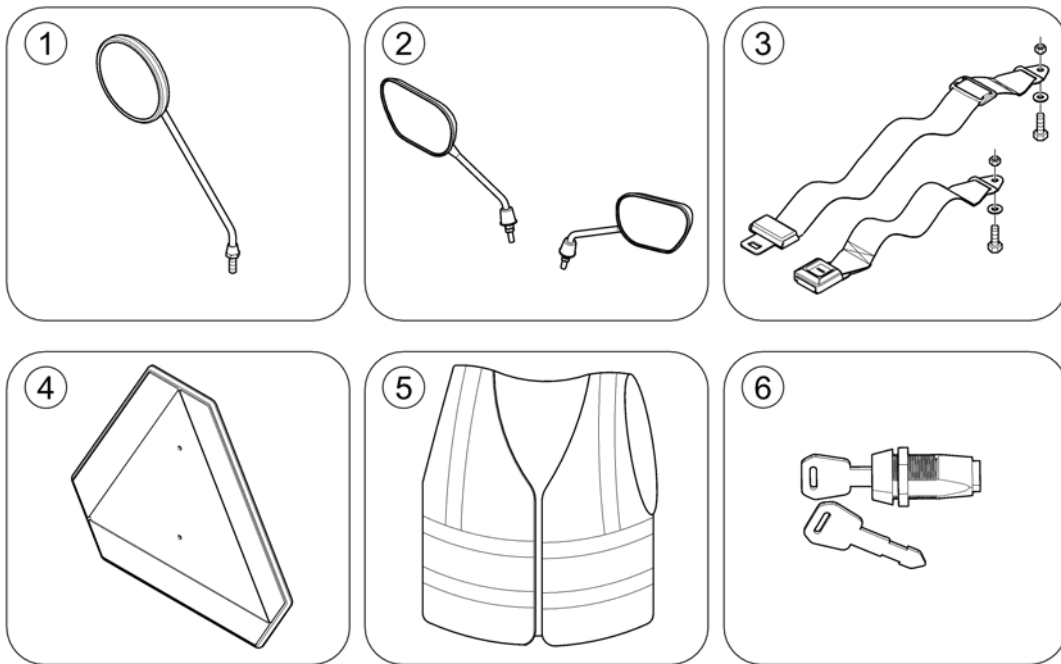
1637122.00



| Pos. | Part number | Description | Valid from → until | Qty |
|------|-------------|--|--------------------|-----|
| - | - | For Mounting the Speed Reduction Switch, the Adjustment Gauge SP1581766 is needed! | | 1 |
| - | SP1581766 | Adjustment Gauge, Speed Reduction Switch | | 1 |
| 1 | SP1556266 | Speed Limit Switch Box <i>Comet Pro/Alpine+/Ultra 10 km/h</i> | | 1 |
| 1 | SP1556281 | Speed Limit Switch Box <i>Comet Pro 12.8 & 15 km/h</i> | | 1 |
| 2 | SP1608230 | Trigger, limit switch | | 1 |
| 3 | SP1553399 | Controller, Rhino2, 120A, DS120 <i>Comet Pro</i> | | 1 |
| 3 | SP1553400 | Controller, Rhino2, 160A, DS160 <i>Comet Alpine+/Ultra</i> | | 1 |

Safety

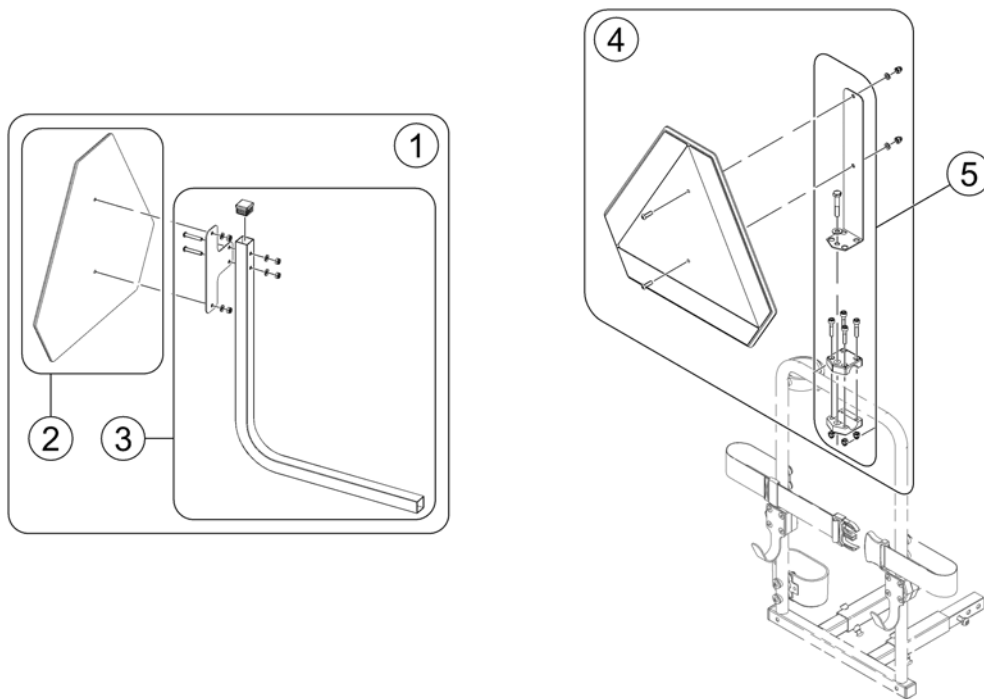
1540378.iss



| Pos. | Part number | Description | Valid from → until | Qty |
|------|-------------|---------------------------------------|--------------------|-----|
| 1 | SP1518241 | Rear-view Mirror LH/RH, black | | 1 |
| 2 | SP1637911 | High-end rear mirror set | | 1 |
| 3 | SP1518274 | Lap Belt with Auto Lock Comet & Orion | | 1 |
| 4 | - | Warning Triangle | | 1 |
| 5 | SP1521592 | Safety vest | | 1 |
| 6 | SP1543154 | Personal Key Cylinder + 2 Keys | | 1 |

Warning Triangle

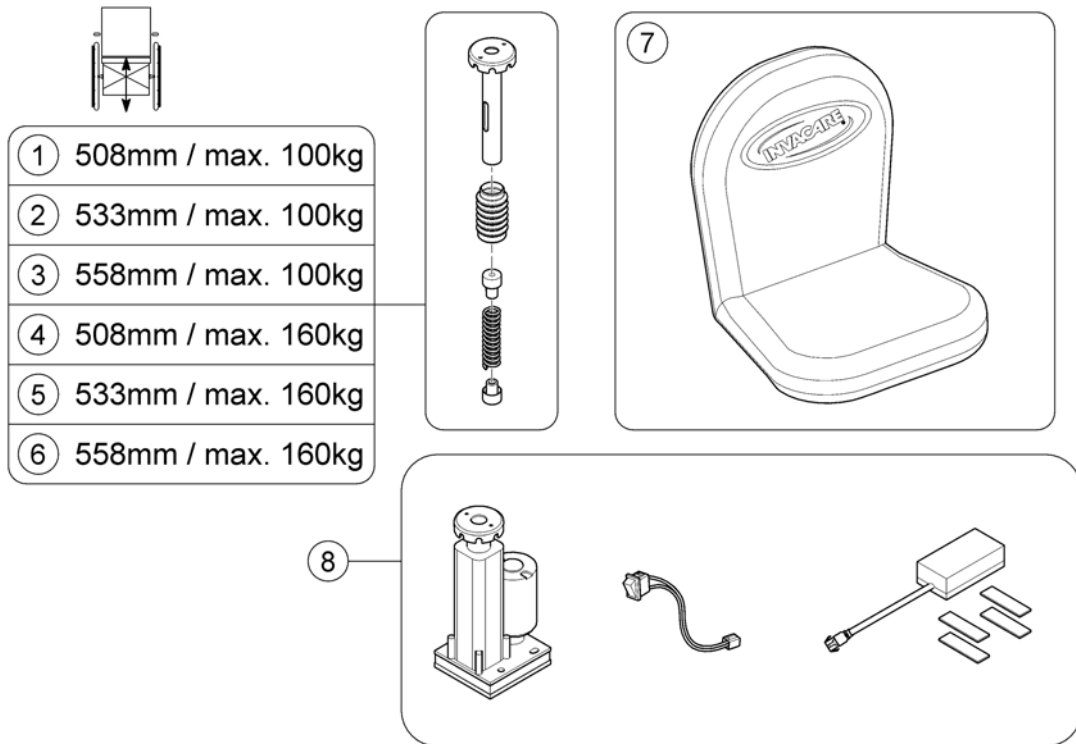
OHComFig.8.160



| Pos. | Part number | Description | Valid from → until | Qty |
|------|-------------|------------------------------------|--------------------|-----|
| 1 | SP1523648 | Warning Triangle Scooter | | 1 |
| 2 | 1430834 | Rear Marking Sign ECE-R 69 | | 1 |
| 3 | SP1526913 | Holder Warning Triangel | | 1 |
| 4 | SP1430410 | Reflective Sign ECE-R 69, complete | | 1 |
| 5 | SP1580671 | Bracket, Reflective Sign, cpl. | | 1 |

Seating

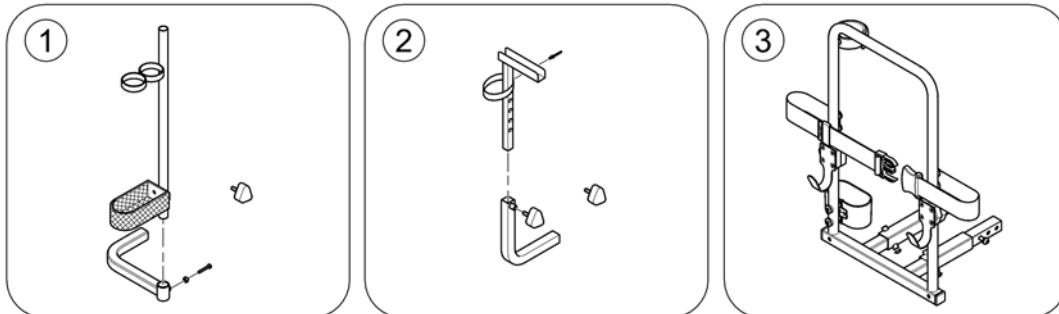
164017/00



| Pos. | Part number | Description | Valid from → until | Qty |
|------|-------------|--|--------------------|-----|
| 1 | SP1640428 | Seat Suspension 226mm 201lbs | | 1 |
| 2 | SP1640429 | Seat Suspension 226mm 285lbs | | 1 |
| 3 | SP1640430 | Seat Suspension 251mm 201lbs | | 1 |
| 4 | SP1640447 | Seat Suspension 251mm 285lbs | | 1 |
| 5 | SP1640448 | Seat Suspension 276mm 201lbs | | 1 |
| 6 | SP1640449 | Seat Suspension 276mm 285lbs | | 1 |
| 7 | SP1521684 | Seat Cover Rain & Dirt protection <i>Not HD Seat!</i> | | 1 |
| 8 | SP1641662 | Powered Seat Lifter, cpl. <i>NOT Comet Ultra!</i> | | 1 |

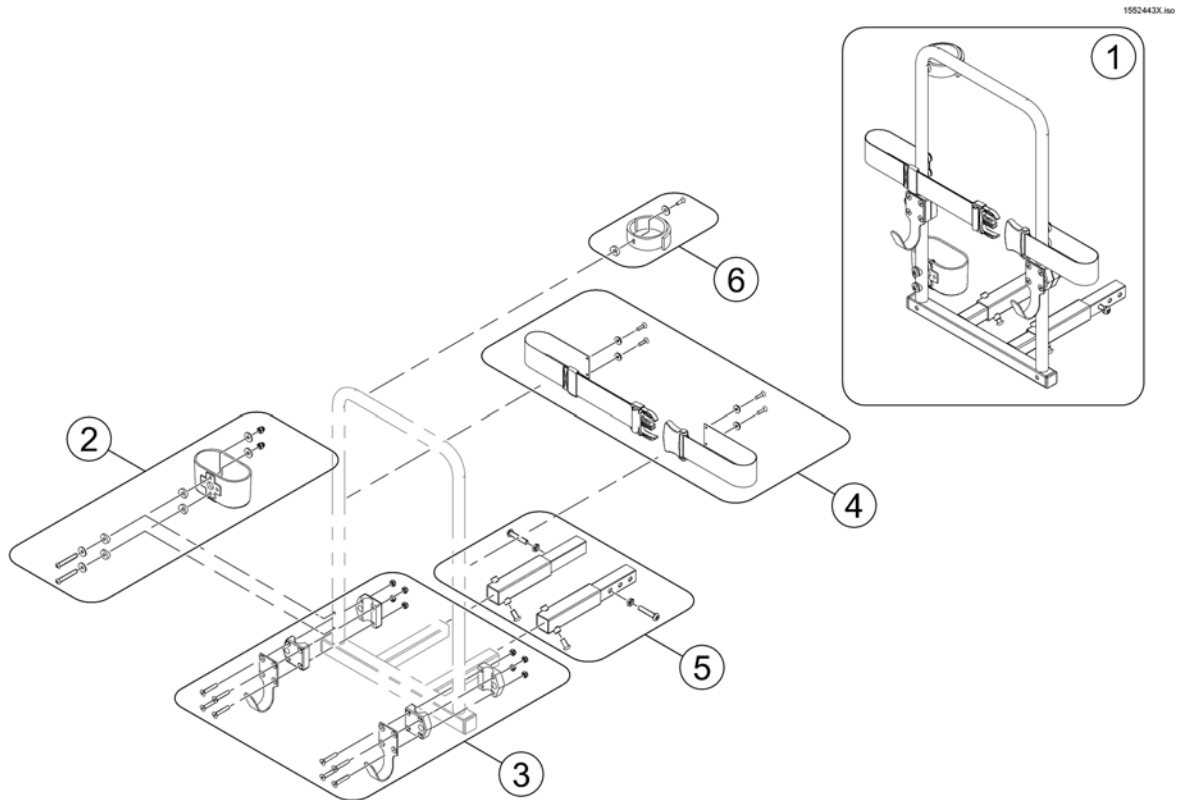
Walking support

154030 no



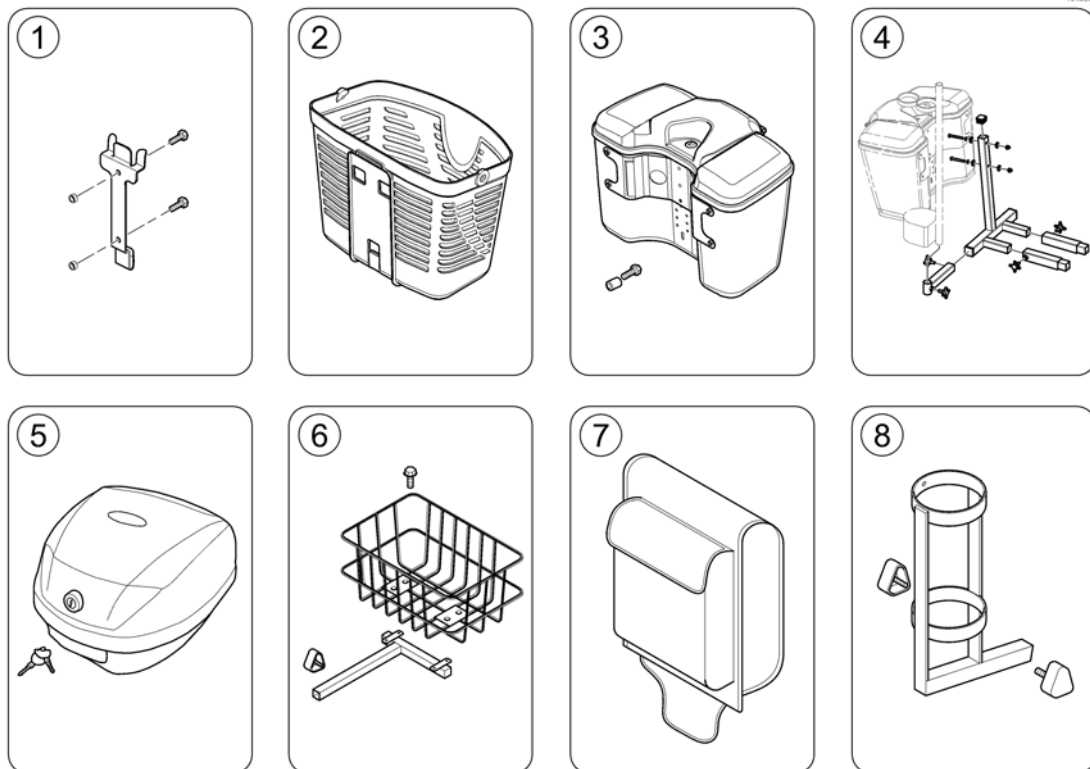
| Pos. | Part number | Description | Valid from → until | Qty |
|------|-------------|----------------------------|--------------------|-----|
| 1 | SP1528274 | Crutchholder, cpl. | | 1 |
| 2 | SP1505728 | Walking Frame Holder, cpl. | | 1 |
| 3 | - | Rollator bracket | | 0 |

Rollator bracket



| Pos. | Part number | Description | Valid from → until | Qty |
|------|-------------|---|--------------------|-----|
| 1 | SP1553851 | Rollator Holder | | 1 |
| 2 | SP1560465 | Cane peel, cpl. | | 1 |
| 3 | SP1553890 | Rollator hooks | | 1 |
| 4 | SP1553891 | Belt, cpl. | | 1 |
| 5 | SP1552594 | Extension tubes (Comet/Orion) <i>only needed for Orion & Comet</i> | | 1 |
| 6 | SP1640107 | Strap, crutch holder, cpl. | | 1 |

Storage

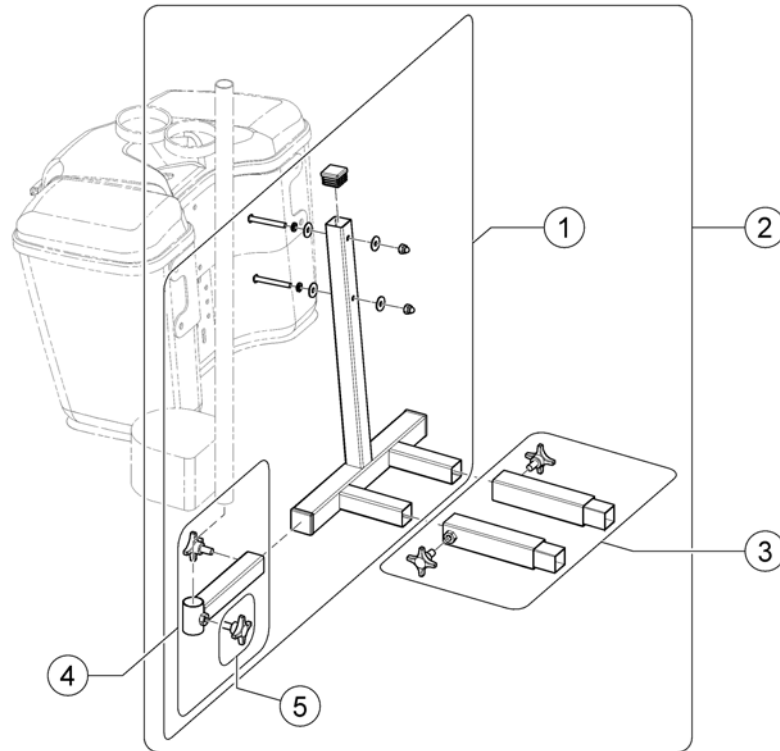


1540361-00

| Pos. | Part number | Description | Valid from → until | Qty |
|------|-------------|---|--------------------|-----|
| 1 | SP1505924 | Bracket, Front Basket, cpl. | | 1 |
| 2 | SP1577430 | Front Basket | | 1 |
| 2 | SP1637915 | Bigger front basket (incl. bracket) <i>Not shown / Non illustré / Nicht abgebildet</i> | | 1 |
| 3 | SP1637910 | Front Box Assembly - black | | 1 |
| 4 | - | Storage box rear bracket | | 1 |
| 5 | SP1637913 | Lockabel rear storage box (incl. bracket) | | 1 |
| 6 | SP1505727 | Rear Basket, cpl. | | 1 |
| 7 | SP1505731 | Bag, Seat Rear | | 1 |
| 8 | SP1572971 | Oxygen Bottle Holder, cpl. | | 1 |

Storage box rear bracket

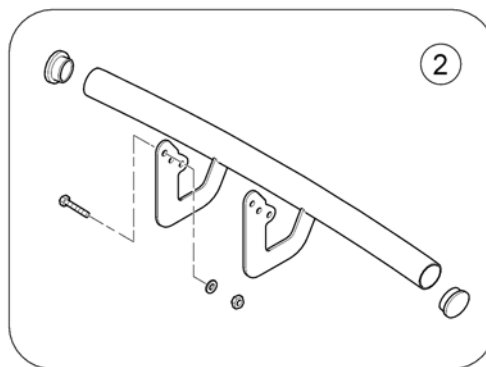
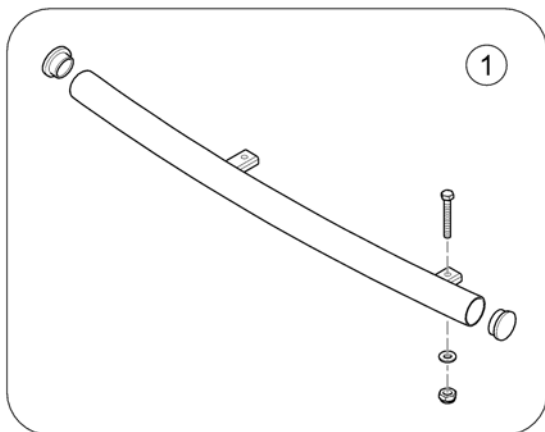
1552537X.00



| Pos. | Part number | Description | Valid from → until | Qty |
|------|-------------|--|--------------------|-----|
| 1 | SP1552536 | Rear bracket for Storage box (Leo) | | 1 |
| 2 | SP1552537 | Rear bracket for Storage Box (incl. Extension Tubes for Comet/Orion) | | 1 |
| 3 | SP1552594 | Extension tubes (Comet/Orion) | | 1 |
| 4 | SP1553854 | Crutch holder bracket | | 1 |
| 5 | 5824117 | hand wheel M8x15 | | 1 |

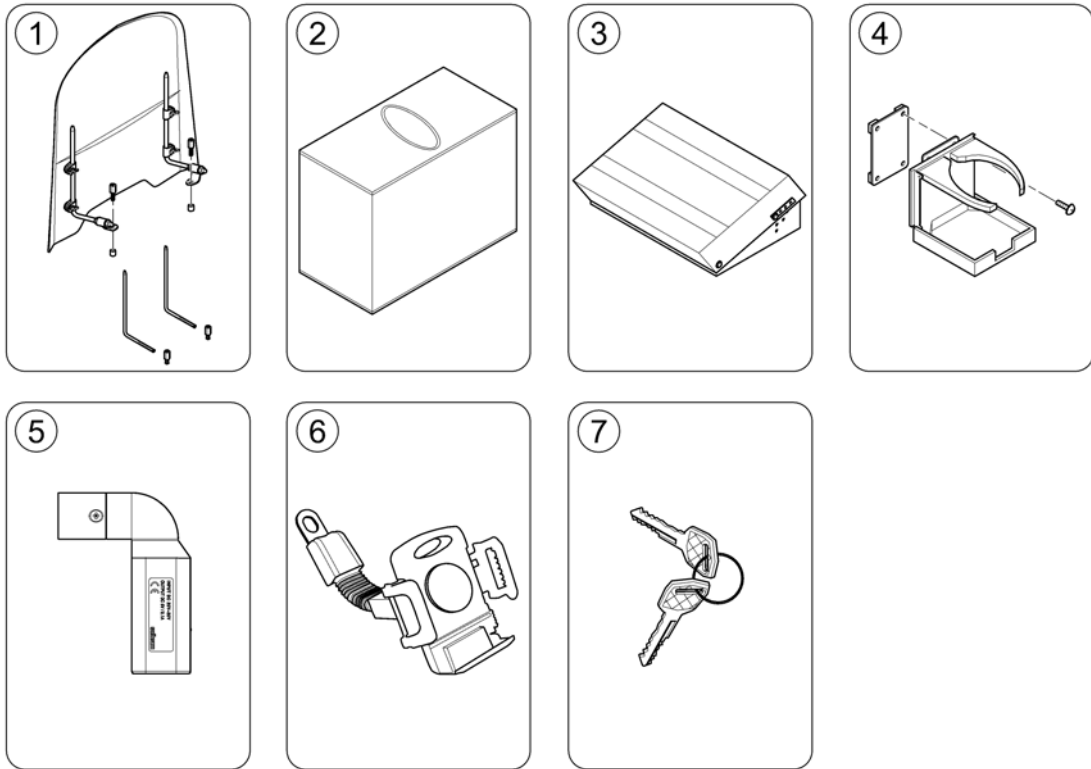
Bumpers

1640060 00



| Pos. | Part number | Description | Valid from → until | Qty |
|------|-------------|-----------------------|--------------------|-----|
| 1 | SP1638967 | Rear steel bumper | | 1 |
| 2 | SP1528298 | Front Bumper Comet 4w | | 1 |

Other Accessories



1640362 00

| Pos. | Part number | Description | Valid from → until | Qty |
|------|-------------|--------------------------|--------------------|-----|
| 1 | SP1543160 | Windscreen | | 1 |
| 2 | SP1518240 | Storage Cover | | 1 |
| 3 | SP1637914 | Footrest, adjustable | | 1 |
| 4 | SP1521594 | Can Holder | | 1 |
| 5 | SP1637917 | USB charger | | 1 |
| 6 | SP1637912 | Mobile phone holder | | 1 |
| 7 | SP1530211 | Key, set of 2 (Standard) | | 1 |



Yes, you can.®



Belgium & Luxemburg:

Invacare nv, Autobaan 22, B-8210 Loppem
Tel: (32) (0)50 83 10 10, Fax: (32) (0)50 83 10 11
belgium@invacare.com / www.invacare.be

Denmark:

Invacare A/S, Sdr. Ringvej 37, DK-2605 Brøndby
Tel: (45) (0)36 90 00 00, Fax: (45) (0)36 90 00 01
denmark@invacare.com / www.invacare.dk

Deutschland:

Invacare Aquatec GmbH, Alemannenstraße 10, D-88316 Isny
Tel: (49) (0)75 62 7 00 0, Fax: (49) (0)75 62 7 00 66
info@invacare-aquatec.com / www.invacare-aquatec.de

European Distributor Organisation:

Invacare, Kleiststraße 49, D-32457 Porta Westfalica
Tel: (49) (0)57 31 754 540, Fax: (49) (0)57 31 754 541
edo@invacare.com / www.invacare.eu.com

España:

Invacare SA, c/Areny s/n, Polígon Industrial de Celrà, E-17460 Celrà (Girona)
Tel: (34) (0)972 49 32 00, Fax: (34) (0)972 49 32 20
contactsp@invacare.com / www.invacare.es

France:

Invacare Poirier SAS, Route de St Roch, F-37230 Fondettes
Tel: (33) (0)2 47 62 64 66, Fax: (33) (0)2 47 42 12 24
contactfr@invacare.com / www.invacare.fr

Ireland:

Invacare Ireland Ltd, Unit 5 Seatown Business Campus, Seatown Road, Swords, County Dublin - Ireland
Tel: (353) 1 810 7084, Fax: (353) 1 810 7085
ireland@invacare.com / www.invacare.ie

Italia:

Invacare Mecc San s.r.l., Via dei Pini 62, I-36016 Thiene (VI)
Tel: (39) 0445 38 00 59, Fax: (39) 0445 38 00 34
italia@invacare.com / www.invacare.it

Nederland:

Invacare BV, Celsiusstraat 46, NL-6716 BZ Ede
Tel: (31) (0)318 695 757, Fax: (31) (0)318 695 758
nederland@invacare.com, csede@invacare.com / www.invacare.nl

Norge:

Invacare AS, Grensesvingen 9, Postboks 6230, Etterstad, N-0603 Oslo
Tel: (47) (0)22 57 95 00, Fax: (47) (0)22 57 95 01
norway@invacare.com, island@invacare.com / www.invacare.no

Österreich:

Invacare Austria GmbH, Herzog Odilostrasse 101, A-5310 Mondsee
Tel: (43) 6232 5535 0, Fax: (43) 6232 5535 4
info-austria@invacare.com / www.invacare.at

Portugal:

Invacare Lda, Rua Estrada Velha, 949, P-4465-784 Leça do Balio
Tel: (351) (0)225 1059 46/47, Fax: (351) (0)225 1057 39
portugal@invacare.com / www.invacare.pt

Sverige & Suomi:

Invacare AB, Fagerstagatan 9, S-163 91 Spånå
Tel: (46) (0)8 761 70 90, Fax: (46) (0)8 761 81 08
sweden@invacare.com, finland@invacare.com / www.invacare.se

Switzerland:

Invacare AG, Benkenstrasse 260, CH-4108 Witterswil
Tel: (41) (0)61 487 70 80, Fax: (41) (0)61 487 70 81
switzerland@invacare.com / www.invacare.ch

United Kingdom:

Invacare Limited, Pencoed Technology Park, Pencoed, Bridgend CF35 5AQ
Switchboard Tel: (44) (0)1656 776200, Fax: (44) (0)1656 776201
Customer services Tel: (44) (0)1656 776222, Fax: (44) (0)1656 776220
uk@invacare.com / www.invacare.co.uk