


TRANSACTION TYPE:
 Order Quote

Date _____ Account # _____ P.O. # _____

Company Name _____ Phone # _____

Address _____ City _____ State _____ Post Code _____ Country _____

Contact Name _____ Comments _____

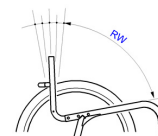
Code	Description	Price
<input type="radio"/> DDX 0085	The KSL	
<input type="radio"/> DDX 0000	MYKüschall special construction <i>Complete all information at end of script</i>	
FRAME		
FRAME ANGLE		
<input type="radio"/> DDX 0221	Frame angle 75°	
<input type="radio"/> DDX 0285	Frame angle 75°, Tapered front frame	
<input type="radio"/> DDX 0222	Frame angle 90° <i>Not with 5" front wheels</i>	
<input type="radio"/> DDX 0290	Frame angle 90°, Tapered front frame <i>Not with 5" front wheels</i>	
SEAT WIDTH (SW)		
<input type="radio"/> DDX 0124	34cm <i>Not with Matrix cushions</i>	
<input type="radio"/> DDX 0126	36cm	
<input type="radio"/> DDX 0128	38cm	
<input type="radio"/> DDX 0130	40cm	
<input type="radio"/> DDX 0132	42cm	
<input type="radio"/> DDX 0134	44cm	
SEAT DEPTH (SD)		
<input type="radio"/> DDX 0414	38.5cm <i>Not with Matrix cushions</i>	
<input type="radio"/> DDX 0417	41cm	
<input type="radio"/> DDX 0420	43.5cm	
<input type="radio"/> DDX 0423	46cm	
<input type="radio"/> DDX 0426	48.5cm	
BACK HEIGHT (BH)		
<input type="radio"/> DDX 0548	27cm <i>Not with light back upholstery</i>	
<input type="radio"/> DDX 0580	28.5cm <i>Not with light back upholstery</i>	
<input type="radio"/> DDX 0550	30cm	
<input type="radio"/> DDX 0503	31.5cm	
<input type="radio"/> DDX 0506	33cm	
<input type="radio"/> DDX 0509	34.5cm	
<input type="radio"/> DDX 0512	36cm	
<input type="radio"/> DDX 0514	37.5cm	
<input type="radio"/> DDX 0516	39cm	
<input type="radio"/> DDX 0518	40.5cm	
<input type="radio"/> DDX 0520	42cm	
FRONT SEAT-TO-FLOOR-HEIGHT (FSTF)		
<input type="radio"/> DDX 0847	45cm <i>Only with 24" rear wheels</i>	
<input type="radio"/> DDX 0848	46cm	
<input type="radio"/> DDX 0849	47cm	
<input type="radio"/> DDX 0850	48cm	
<input type="radio"/> DDX 0851	49cm	
<input type="radio"/> DDX 0852	50cm	
<input type="radio"/> DDX 0853	51cm	
<input type="radio"/> DDX 0854	52cm	
<input type="radio"/> DDX 0855	53cm <i>Only with 25" rear wheels</i>	
REAR SEAT-TO-FLOOR-HEIGHT (RSTF) <i>RSTF = [FSTF-10cm] to [FSTF-2cm]</i>		
<input type="radio"/> DDX 0945	40cm <i>Only with 24" rear wheels</i>	
<input type="radio"/> DDX 0946	41cm	
<input type="radio"/> DDX 0947	42cm	
<input type="radio"/> DDX 0948	43cm	
<input type="radio"/> DDX 0949	44cm	
<input type="radio"/> DDX 0950	45cm	
<input type="radio"/> DDX 0951	46cm	
<input type="radio"/> DDX 0952	47cm	
<input type="radio"/> DDX 0953	48cm	



**NOTE: All specifications and dimensions are approximate.
For the most current information, go to www.invacare.com.au**

THE KSL

KNEE-TO-HEEL LENGTH (LLL)		75° frame: LLL = [FSTF - 10cm] to [FSTF - 3cm]; 90° frame: LLL = [FSTF - 8cm] to [FSTF - 4cm]	
<input type="radio"/>	DDX 1676	35cm	
<input type="radio"/>	DDX 1677	36cm	
<input type="radio"/>	DDX 1678	37cm	
<input type="radio"/>	DDX 1679	38cm	
<input type="radio"/>	DDX 1680	39cm	
<input type="radio"/>	DDX 1681	40cm	
<input type="radio"/>	DDX 1682	41cm	
<input type="radio"/>	DDX 1683	42cm	
<input type="radio"/>	DDX 1684	43cm	
<input type="radio"/>	DDX 1685	44cm	
<input type="radio"/>	DDX 1686	45cm	
<input type="radio"/>	DDX 1687	46cm	
<input type="radio"/>	DDX 1688	47cm	
<input type="radio"/>	DDX 1689	48cm	
<input type="radio"/>	DDX 1690	49cm	
<input type="radio"/>	DDX 1691	50cm	
BACKREST			
BACK TUBE OPTION			
<input type="radio"/>	DDX 0736	Fixed backrest in frame colour	
<input type="radio"/>	DDX 0734	Foldable backrest, angle-adjustable	
BACK UPHOLSTERY			
<input type="radio"/>	DDX 0700	Standard upholstery	
<input type="radio"/>	DDX 0721	Light back	Not with RH 27-28.5cm
<input type="radio"/>	DDX 0726	Tension velcro adjustable back black	
<input type="radio"/>	DDX 0735	Aero back, tension velcro adjustable	
PUSH HANDLES			
<input type="radio"/>	DDX 0750	Without push handles	
<input type="radio"/>	DDX 0751	Push handles fixed, short	
<input type="radio"/>	DDX 0702	Push handles fixed, long	
<input type="radio"/>	DDX 0704	Foldable push handles	
BACKREST ANGLE (BA)			
<input type="radio"/>	DDX 0707	74° angle from the seat	
<input type="radio"/>	DDX 0718	78° angle from the seat	
<input type="radio"/>	DDX 0709	82° angle from the seat	
<input type="radio"/>	DDX 0719	86° angle from the seat	
<input type="radio"/>	DDX 0711	90° angle from the seat	
SEATING			
SEAT UPHOLSTERY			
<input type="radio"/>	DDX 0610	Standard	
<input type="radio"/>	DDX 0615	Light seat upholstery	
SEAT CUSHION			
<input type="radio"/>	DDA 0600	Standard seat cushion, 60mm, double foam with visco top	<input type="radio"/> CLEAR
<input type="radio"/>	DDA 0662	Matrx Libra cushion	Not with ST38.5cm, SB34cm; SB36cm only with ST41-43.5cm
<input type="radio"/>	DDA 0663	Matrx Vi cushion	Not with ST38.5cm, SB34cm; SB36cm only with ST41-43.5cm
SIDE GUARDS			
<input type="radio"/>	DDX 1400	Carbon clothes guards, fixed	<input type="radio"/> CLEAR
<input type="radio"/>	DDX 1405	Carbon mudguards, fixed	
FOOTREST			
FOOTREST TYPE (TUBE/PLATE)			
<input type="radio"/>	DDX 1508	Footrest tube, aluminium	
<input type="radio"/>	DDX 1509	Footrest tube, titanium	
<input type="radio"/>	DDX 1570	Carbon footplate, angle-adjustable	
FOOTREST COVER			
<input type="radio"/>	DDX 1513	Footrest cover	Not with carbon footplate



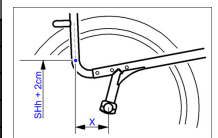
**NOTE: All specifications and dimensions are approximate.
For the most current information, go to www.invacare.com.au**

THE KSL

COLOURS		
FRAME COLOUR		
<input type="radio"/>	DDX 0300	Glossy black
<input type="radio"/>	DDX 0303	Royal red
<input type="radio"/>	DDX 0314	Black matt
<input type="radio"/>	DDX 0315	Silver grey
<input type="radio"/>	DDX 0354	Night shimmer
<input type="radio"/>	DDX 0356	Ivory white
<input type="radio"/>	DDX 0358	Smokey grey
<input type="radio"/>	DDX 0359	Flashy yellow
<input type="radio"/>	DDX 0365	Mercury blue
<input type="radio"/>	DDX 0366	Dynamite orange
<input type="radio"/>	DDX 0367	Atomic violet
<input type="radio"/>	DDX 0368	Nitro pink
COLOUR POWERSET (CPS)		<i>Small shade differences are possible</i>
<input type="radio"/>	DDX 0338	CPS chrome <i>Starec rear wheel rim only available in black when CPS chrome is selected</i>
<input type="radio"/>	DDX 0330	CPS techno-anthracite
<input type="radio"/>	DDX 0329	CPS comet red
<input type="radio"/>	DDX 0337	CPS copper glaze
<input type="radio"/>	DDX 0339	CPS champagne
<input type="radio"/>	DDX 0334	CPS b-blue
<input type="radio"/>	DDX 0336	CPS arctic blue
<input type="radio"/>	DDX 0340	CPS olive
FRONT WHEEL		
FRONT WHEEL		
<input type="radio"/>	DDX 0800	3" Supersport
<input type="radio"/>	DDX 0801	4" Everyday wheel with black rubber
<input type="radio"/>	DDX 0860	4" Comfort wheel with black rubber
<input type="radio"/>	DDX 0809	4" Starec black
<input type="radio"/>	DDX 0861	4" Starec chrome
<input type="radio"/>	DDX 0803	4" Starec techno-anthracite
<input type="radio"/>	DDX 0808	4" Starec comet red
<input type="radio"/>	DDX 0830	4" Starec copper glaze
<input type="radio"/>	DDX 0825	4" Starec champagne
<input type="radio"/>	DDX 0807	4" Starec b-blue
<input type="radio"/>	DDX 0831	4" Starec arctic blue
<input type="radio"/>	DDX 0826	4" Starec olive
<input type="radio"/>	DDX 0796	4" FrogsLegs EPIC wheel with black aluminium rim
<input type="radio"/>	DDX 0797	4" FrogsLegs EPIC wheel with silver aluminium rim
<input type="radio"/>	DDX 0810	5" Light wheel with black rubber <i>Not with 90° front frame</i>
<input type="radio"/>	DDX 0863	5" Comfort wheel with black rubber <i>Not with 90° front frame</i>
<input type="radio"/>	DDX 0819	5" Starec black <i>Not with 90° front frame</i>
<input type="radio"/>	DDX 0862	5" Starec chrome <i>Not with 90° front frame</i>
<input type="radio"/>	DDX 0813	5" Starec techno-anthracite <i>Not with 90° front frame</i>
<input type="radio"/>	DDX 0818	5" Starec comet red <i>Not with 90° front frame</i>
<input type="radio"/>	DDX 0833	5" Starec copper glaze <i>Not with 90° front frame</i>
<input type="radio"/>	DDX 0827	5" Starec champagne <i>Not with 90° front frame</i>
<input type="radio"/>	DDX 0817	5" Starec b-blue <i>Not with 90° front frame</i>
<input type="radio"/>	DDX 0832	5" Starec arctic blue <i>Not with 90° front frame</i>
<input type="radio"/>	DDX 0828	5" Starec olive <i>Not with 90° front frame</i>
<input type="radio"/>	DDX 0798	5" FrogsLegs EPIC wheel with black aluminium rim <i>Not with 90° front frame</i>
<input type="radio"/>	DDX 0799	5" FrogsLegs EPIC wheel with silver aluminium rim <i>Not with 90° front frame</i>
BEARING BLOCK MARKING		
<input type="radio"/>	DDX 0899	Bearing block cap with marking <i>Complete table at end of script; Mounted on LH side; In CPS colour if selected</i>
REAR WHEELS		
REAR WHEEL POSITION (X)		
<input type="radio"/>	DDX 0263	140mm (position 1)
<input type="radio"/>	DDX 0264	125mm (position 2)
<input type="radio"/>	DDX 0265	110mm (position 3)
<input type="radio"/>	DDX 0266	95mm (position 4)
<input type="radio"/>	DDX 0267	80mm (position 5)
CARBON AXLE CAMBER		
<input type="radio"/>	DDX 0270	Camber 0°
<input type="radio"/>	DDX 0271	Camber 3°
<input type="radio"/>	DDX 0272	Camber 6° <i>Not with Twion adapter plate</i>
QUAD QUICK RELEASE AXLE		
<input type="radio"/>	DDX 0909	Tetra Clip axle <i>Not with wheels with integrated hub brakes or Spinergy LXX</i>

CLEAR

CPS applies to the following parts:
Starec & High Performance hubs, Starec rear wheel rims (**except for chrome**), forks, caster housing caps and starec front wheels



**NOTE: All specifications and dimensions are approximate.
For the most current information, go to www.invacare.com.au**

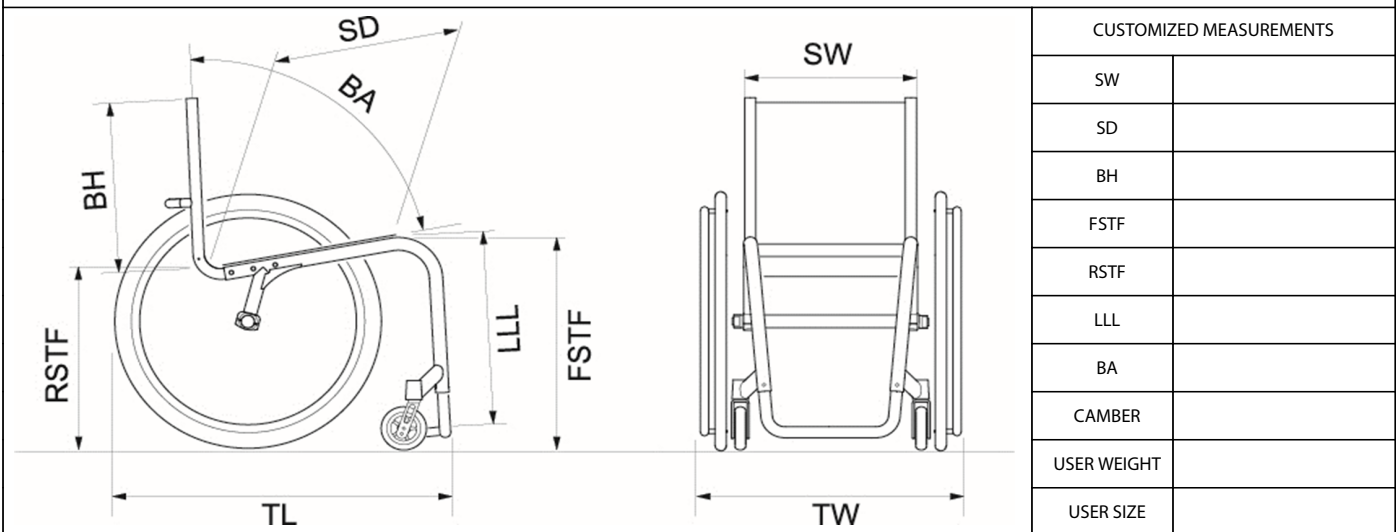
THE KSL

REAR WHEEL SIZE			
<input type="radio"/>	DDX 0902	24"	
<input type="radio"/>	DDX 0925	25"	<i>Not with Starec wheels or wheels with integrated hub brakes</i>
REAR WHEEL TYPE			
<input type="radio"/>	DDX 0915	24" Kuschall Starec, cross-spoked	<i>Starec hub colourless and rim black - Hub and rim CPS when selected</i>
<input type="radio"/>	DDX 0908	24", 25" High Performance	<i>Starec hub black or CPS when selected. Black rim</i>
<input type="radio"/>	DDX 0906	24" Spinergy LXX	<i>Hub, rim and spokes black - CPS not available</i>
<input type="radio"/>	DDX 0912	25" Spinergy LXX	<i>Hub, rim and spokes black - CPS not available</i>
<input type="radio"/>	DDX 0927	24" Wheels with integrated hub brakes	<i>24 silver spokes, black hub and rim - CPS not available</i>
ALBER ADD ON KIT			<i>Antitipper from Alber will be installed</i>
<input type="radio"/>	DDX 0926	Twion adapter plate	<i>Not with 25" wheels or 6° camber. 2 Alber antitippers included</i>
REAR WHEEL TYRE			
<input type="radio"/>	DDX 1014	24", 25" Schwalbe Rightrun black/grey	
<input type="radio"/>	DDX 1011	24", 25" Schwalbe ONE	<i>V-guard puncture resistant</i>
<input type="radio"/>	DDX 1013	24" Schwalbe Rightrun blue	<i>K-guard puncture resistant</i>
<input type="radio"/>	DDX 1010	24", 25" Schwalbe Marathon Plus	<i>SmartGuard puncture protected</i>
HANDRIM			
<input type="radio"/>	DDX 1113	24", 25" Light Alu, grey, dist 3cm	<i>Short tabs with one hole at 3cm</i>
<input type="radio"/>	DDX 1117	24", 25" Light Alu, black, dist 3cm	<i>Short tabs with one hole at 3cm</i>
<input type="radio"/>	DDX 1102	24" Supergrripp, dist 3cm or 4cm	<i>Long tabs with two holes, mounted at 3cm</i>
<input type="radio"/>	DDX 1104	24" Steel polished, dist 3cm	<i>Short tabs with one hole at 3cm</i>
<input type="radio"/>	DDX 1106	24" Titanium, dist 3cm	<i>Short tabs with one hole at 3cm</i>
<input type="radio"/>	DDX 1107	24" Titanium, dist 4cm	<i>Long tabs with two holes, mounted at 4cm</i>
<input type="radio"/>	DDX 1120	24", 25" The Surge LT 30mm, dist 3cm	
<input type="radio"/>	DDX 1122	24" Carbolife Curve, dist 3cm	<i>Long tabs with two holes, mounted at 3cm</i>
<input type="radio"/>	DDX 1121	24" Carbolife Gekko, dist 3cm	<i>Long tabs with two holes, mounted at 3cm</i>
SPOKE GUARDS			<input type="radio"/> CLEAR
<input type="radio"/>	DDX 1200	24", 26" Transparent	
<input type="radio"/>	DDX 1202	24" Black 'kusch'	<i>Not with Spinergy LXX</i>
<input type="radio"/>	DDX 1208	24" Transparent and white 'kuschall'	<i>Not with Spinergy LXX</i>
SAFETY			
BRAKES			
<input type="radio"/>	DDX 1300	Standard brakes bent lever	
<input type="radio"/>	DDX 1302	Performance brakes	<i>Not with mudguards</i>
<input type="radio"/>	DDX 1303	Active scissor brakes	<i>Not with ST38.5-40cm and rear wheel position 140mm, or 25" rear wheels and position 125mm</i>
<input type="radio"/>	DDX 1399	Without brakes	<i>Only with wheels with integrated hub brakes</i>
ANTITIPPER			<input type="radio"/> CLEAR
<input type="radio"/>	DDX 1702	Antitipper right	
<input type="radio"/>	DDX 1703	Antitipper left	
<input type="radio"/>	DDX 1704	Antitipper both sides	
SEAT BELT			
<input type="radio"/>	DDX 1730	Seat belt	
PASSIVE LIGHTS (REFLECTORS)			<input type="radio"/> CLEAR
<input type="radio"/>	DDX 1710	Passive lights assembled (mounted on spokes)	
<input type="radio"/>	DDX 1711	Passive lights enclosed	
ACCESSORIES			
FRONT FRAME PROTECTORS			
<input type="radio"/>	DDX 1739	Front frame protectors (2pc)	
MANUAL AIR PUMP			
<input type="radio"/>	DDX 1715	Air pump	
KÜSCHALL WATCH			<input type="radio"/> CLEAR
<input type="radio"/>	DDX 1712	Küschall watch, right side	<i>Mounted on caster housing</i>
<input type="radio"/>	DDX 1713	Küschall watch, left side	
TOOL KIT			
<input type="radio"/>	DDX 1717	Tool kit	
WHEEL BAG AND WHEEL KITS			
<input type="radio"/>	DDX 1734	24" Mountain bike wheels with bag	<i>Mountain bike wheels and tires with alu handrims; incl quick-release axles</i>
<input type="radio"/>	DDX 1728	Wheel bag (for 24" - 26" rear wheels)	

**NOTE: All specifications and dimensions are approximate.
For the most current information, go to www.invacare.com.au**

THE KSL

SUPPORT FOR MEASUREMENTS / MYKÜSCHALL REQUESTS



The measurement of the rear wheel fixation (X on drawing) is done from the middle of the carbon camber axle to the middle of the backrest on a height of "rear seat-to-floor height (SHh) + 2cm, on a horizontal level.
The sideguards are fixed and mounted directly on the frame. The actual seat width corresponds to the values in the order form.

MYKüschall
Description of the request



DDX0899
BEARING BLOCK CAP
MARKING

Line 1																				
Line 2																				

Local Homologation number, ISO, MDA, TUV logos
The product includes all standard features
Maximum user weight: 100kg
We reserve the right to deliver a + or - tolerance of +/- 10 mm on all measurements
We reserve the right to make technical changes without notice



KÜSCHALL AG
BENKENSTRASSE 260
CH- 4108 WITTERSWIL
Tel. +41 (0) 61 487 70 70
Fax. +41 (0) 61 487 70 49 (Cust.Serv.)

NOTE: All specifications and dimensions are approximate.
For the most current information, go to www.invacare.com.au



Invacare Corporation www.invacare.com.au

Australia
1 Lenton Place
North Rocks NSW 2151
Australia
1800 460 460

©2014 Invacare Corporation
All rights reserved. Trademarks are identified by the symbols™ and ®. All trademarks are owned by or licensed to Invacare Corporation unless otherwise noted. Specifications and prices are subject to change without notification.