

Spare Parts Catalogue

Version: 2017/08/07a EN



*The **K_{SL}** by Küschall*



Yes, you can.®

General Information

For any order of spare parts the following information is required:

- Product type*
- Product name & model*
- Serial Number*
- Part-Number*
- Part-Description*

Exploded view drawings and code numbers are not contractual and subject to modification, in relation to Invacare® continuous product improvement policy to meet end users needs.

The reproduction or use of this work, or of any substantial part of this work, in any form or by any electronic, mechanical or other means, including photocopying, scanning and recording, and in any information storage and retrieval system, including electronic transmission, is forbidden without the prior written permission of Invacare® International Sarl.



Yes, you can.®

TABLE OF CONTENTS

INFORMATION

Abbreviations	5
Frame colours	6
CPS colours	7

CHASSIS

CHASSIS	8
Frame	9
Axle tube Carbon	10

SEAT

SEAT	11
Seat cover	12
Seat cover light	14
Seat cushion standard	16

BACKREST

BACKREST	17
Backrest	18
Foldable backrest	19
Küschall backrest parts for Matrix backs	21
Backrest cover Light	22
Backrest cover light	25
Bands to adjustable backrest	27
Cover to adjustable backrest	28

FOOTREST

FOOTREST	29
Footrest standard	30
Footrest standard for adducted frame	32
Footrest angle adjustable	34
Footrest angle adjustable for adducted frame	35
Calf strap	36

SIDERESTS

SIDERESTS	37
Clothes-guards	38
Mudguards	39

FRONT WHEELS

FRONT WHEELS	40
Front forks	41
Configuration table for front fork size	43
Front wheels	44

REAR WHEELS

REAR WHEELS	46
-------------------	----



Yes, you can.®

TABLE OF CONTENTS

High Performance wheel	47
Mountainbike wheel	50
Spinergy wheel	51
Spinergy LXX wheel	52
Ultra-light fibre wheel	53
Hub brake wheel	54
Handrim	55
Fixation handrim	56
Tyre	57
Inner tube and rim protector	58
Spokes guard	59
Quick release axle and bearing	60

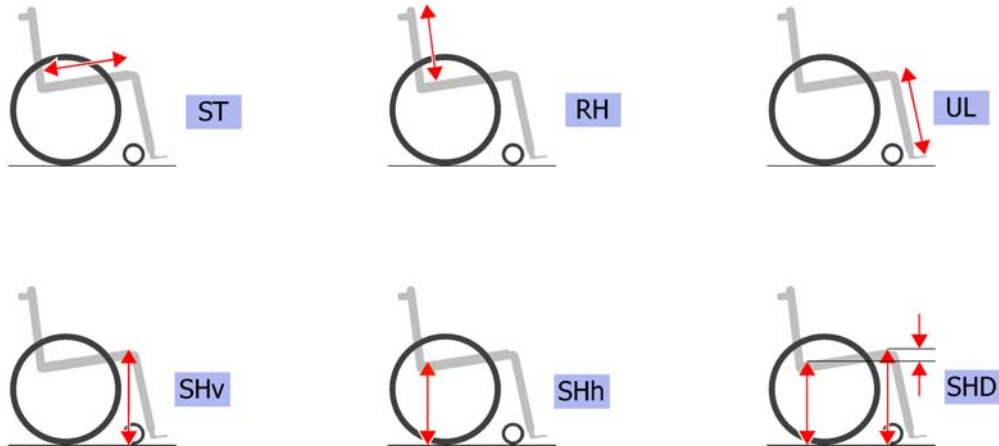
BRAKES

BRAKES	61
Brakes	62

OPTIONS & ACCESSORIES

OPTIONS & ACCESSORIES	63
Antitipper	64
Chair accessories	65
Luggage holder	66
Fixation: screws,	67
Socket head cap screws	68
Countersunk screws	71
Button head screws	73
Hex-head screws, diverse,	75
Washers	77
Nuts	79
Pins, rivets,	81

Abbreviations



Pos.	Part number	Description	Valid from → until	Qty
L	-	Left side (sitting in the wheelchair)		0
R	-	Right side (sitting in the wheelchair)		0
L+R	-	Left and right sides (paire)		0
SB	-	Seat width (2 digits in cm or 3 digits in mm)		0
ST	-	Seat depth (2 digits in cm or 3 digits in mm)		0
RH	-	Backrest height (2 digits in cm or 3 digits in mm)		0
UL	-	Knee-to-heel length (2 digits in cm or 3 digits in mm)		0
SHv	-	Front seat-to-floor height (2 digits in cm or 3 digits in mm)		0
SHh	-	Rear seat-to-floor height (2 digits in cm or 3 digits in mm)		0
SHD	-	Front and rear seat-to-floor height difference (2 digits in cm or 3 digits in mm)		0

Frame colours

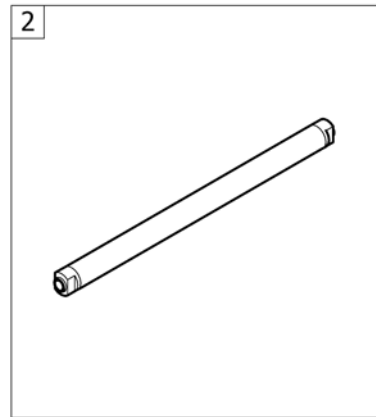
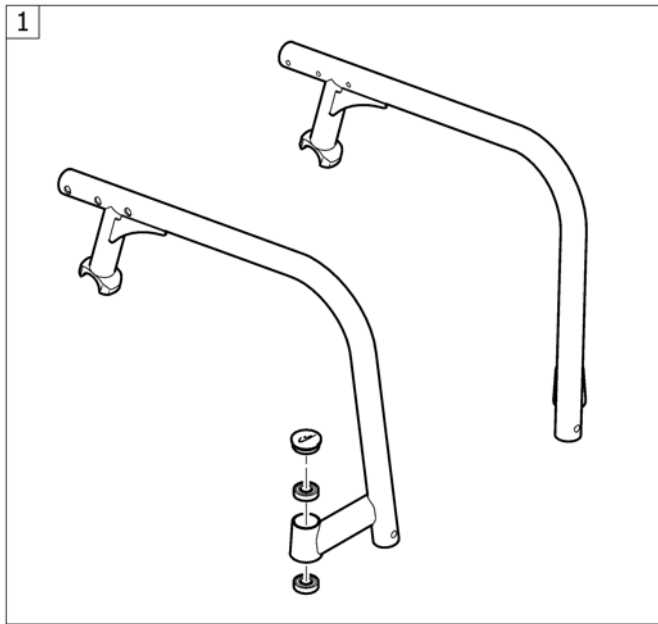


Pos.	Part number	Description	Valid from → until	Qty
-0121	-	Color code for black-grey rustico frames	2012-01-01 → 2014-12-31	0
-0122	-	Color code for golden beach frames	2013-01-01 → 2013-12-31	0
-0184	-	Color code for mercury blue frames	2014-01-01 →	0
-0185	-	Color code for dynamite orange frames	2014-01-01 →	0
-0186	-	Color code for atomic violet frames	2014-01-01 →	0
-0187	-	Color code for nitro pink frames	2014-01-01 →	0
-0411	-	Color code for black matt frames		0
-0419	-	Color code for silver grey frames		0
-0442	-	Color code for night shimmer frames	2009-07-01 →	0
-0445	-	Color code for ivory white frames		0
-0446	-	Color code for purple fire frames	2010-01-01 → 2014-12-31	0
-0447	-	Color code for emerald green frames	2010-01-01 → 2012-12-31	0
-0448	-	Color code for midnight blue frames	2010-01-01 → 2012-12-31	0
-0449	-	Color code for umber glaze frames	2010-01-01 → 2013-12-31	0
-0450	-	Color code for smokey grey frames	2010-01-01 →	0
-0451	-	Color code for flashy yellow frames	2011-07-01 →	0
-3524	-	Color code for royal red frames		0
-5969	-	Color code for royal blue frames	2009-02-01 → 2013-12-31	0
-9005	-	Color code for glossy black frames		0

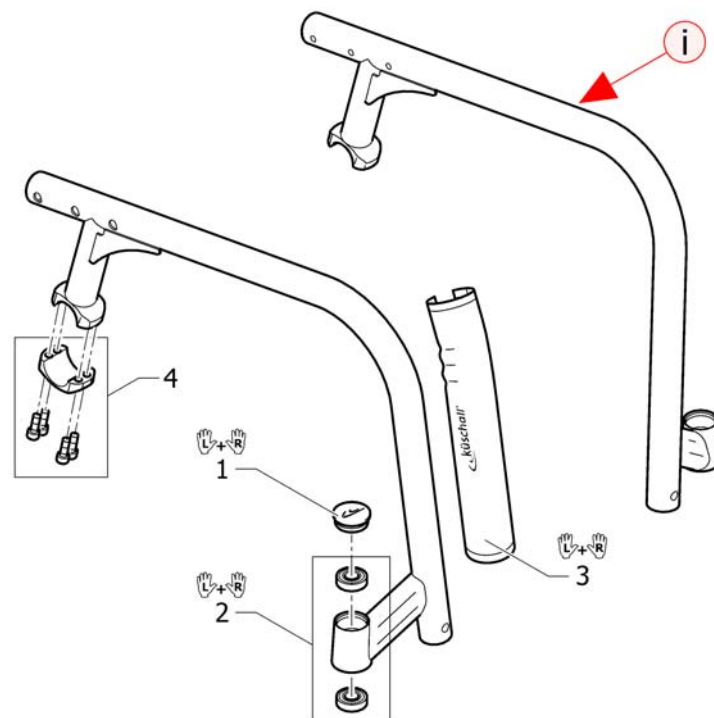
CPS colours

Pos.	Part number	Description	Valid from → until	Qty
-0004	-	Color code for black anodized CPS		0
-0001	-	Color code for chrome CPS	2011-07-01 →	0
-0182	-	Color code for champagne CPS	2013-01-01 →	0
-0183	-	Color code for olive CPS	2013-01-01 →	0
-0400	-	Color code for techno-anthrazit CPS		0
-0401	-	Color code for lemon CPS	2009-02-01 → 2012-12-31	0
-0402	-	Color code for apricot CPS	2011-07-01 → 2012-12-31	0
-0404	-	Color code for b-blue CPS		0
-0440	-	Color code for comet red CPS		0
-0441	-	Color code for arctic blue CPS		0
-0444	-	Color code for copper glaze CPS		0

CHASSIS

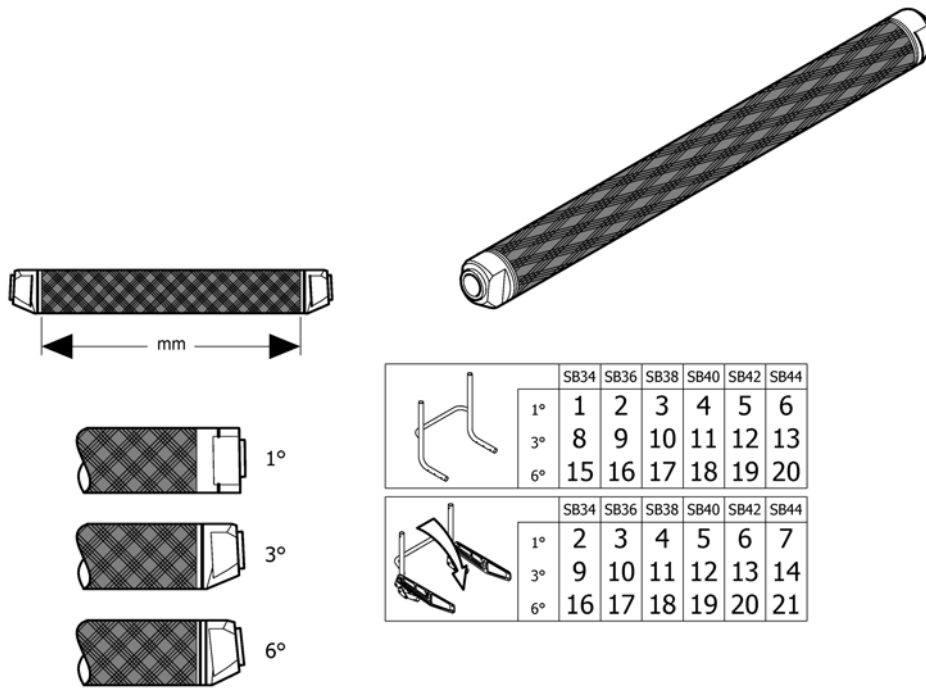


Pos.	Part number	Description	Valid from → until	Qty
1	-	Frame		1
2	-	Axle tube Carbon		1



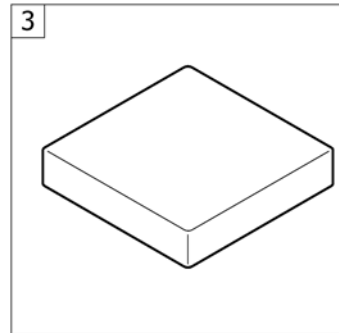
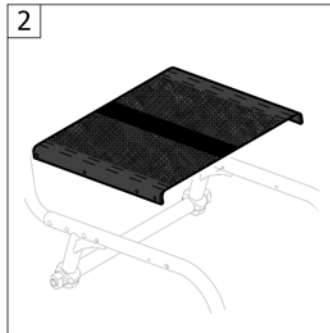
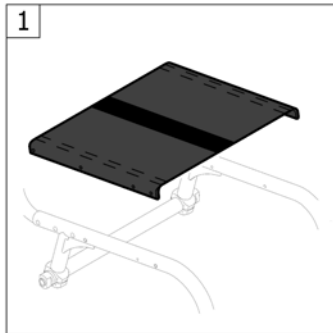
Pos.	Part number	Description	Valid from → until	Qty
i	-	A frame can only be ordered with the wheelchair's serial number. Please contact Küschall customer service.		0
1	1487961-0004	Bearing block cap pair, black anodized		1
1	1487961-0001	Bearing block cap pair, chrome		1
1	1487961-0182	Bearing block cap pair, champagne	2013-01-01 →	1
1	1487961-0183	Bearing block cap pair, olive	2013-01-01 →	1
1	1487961-0400	Bearing block cap pair, techno-anthrazit		1
1	1487961-0401	Bearing block cap pair, lemon	2009-02-01 → 2012-12-31	1
1	1487961-0402	Bearing block cap pair, apricot	2011-07-01 → 2012-12-31	1
1	1487961-0404	Bearing block cap pair, b-blue		1
1	1487961-0440	Bearing block cap pair, comet red		1
1	1487961-0441	Bearing block cap pair, arctic blue		1
1	1487961-0444	Bearing block cap, pair, copper glaze		1
2	1451718	Bearing kit		1
3	1529372	Front frame protectors, pair		1
4	1570107	Axle holder latch standard, kit		2

Axle tube Carbon



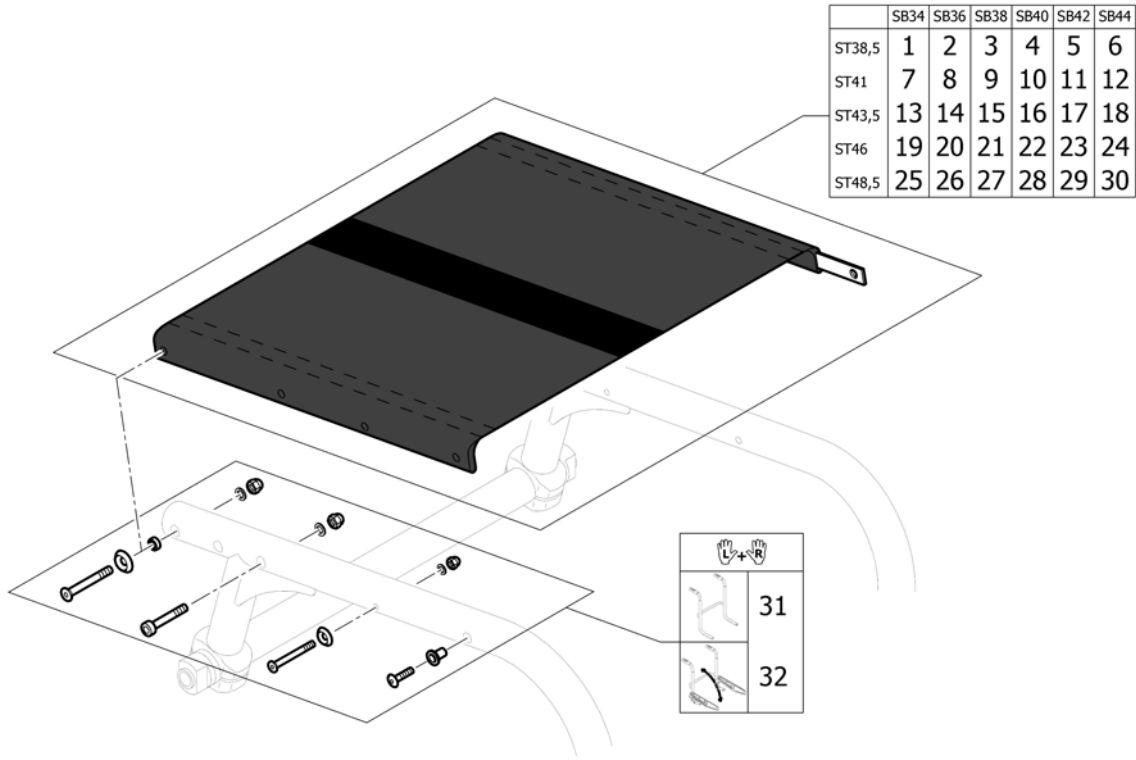
		SB34	SB36	SB38	SB40	SB42	SB44
1°	1°	1	2	3	4	5	6
	3°	8	9	10	11	12	13
	6°	15	16	17	18	19	20
3°	1°	2	3	4	5	6	7
	3°	9	10	11	12	13	14
	6°	16	17	18	19	20	21

Pos.	Part number	Description	Valid from → until	Qty
1	1529365	Axle tube Carbon 1°/318mm		1
2	1529366	Axle tube Carbon 1°/338mm		1
3	1529367	Axle tube Carbon 1°/358mm		1
4	1529368	Axle tube Carbon 1°/378mm		1
5	1529369	Axle tube Carbon 1°/398mm		1
6	1540913	Axle tube Carbon 1°/418mm	2010-03-01 →	1
7	1580248	Axle tube Carbon 1°/438mm	2013-07-01 →	1
8	1529370	Axle tube Carbon 3°/324mm		1
9	1504645	Axle tube Carbon 3°/344mm		1
10	1504648	Axle tube Carbon 3°/364mm		1
11	1504651	Axle tube Carbon 3°/384mm		1
12	1504654	Axle tube Carbon 3°/404mm		1
13	1504657	Axle tube Carbon 3°/424mm	2010-03-01 →	1
14	1504660	Axle tube Carbon 3°/444mm	2013-07-01 →	1
15	1529371	Axle tube Carbon 6°/354mm		1
16	1504646	Axle tube Carbon 6°/374mm		1
17	1504649	Axle tube Carbon 6°/394mm		1
18	1504652	Axle tube Carbon 6°/414mm		1
19	1504655	Axle tube Carbon 6°/434mm		1
20	1504658	Axle tube Carbon 6°/454mm	2010-03-01 →	1
21	1504661	Axle tube Carbon 6°/474mm	2013-07-01 →	1



Pos.	Part number	Description	Valid from → until	Qty
1	-	Seat cover		1
2	-	Seat cover light	2011-07-01 →	1
3	-	Seat cushion standard	2012-07-01 →	1

Seat cover

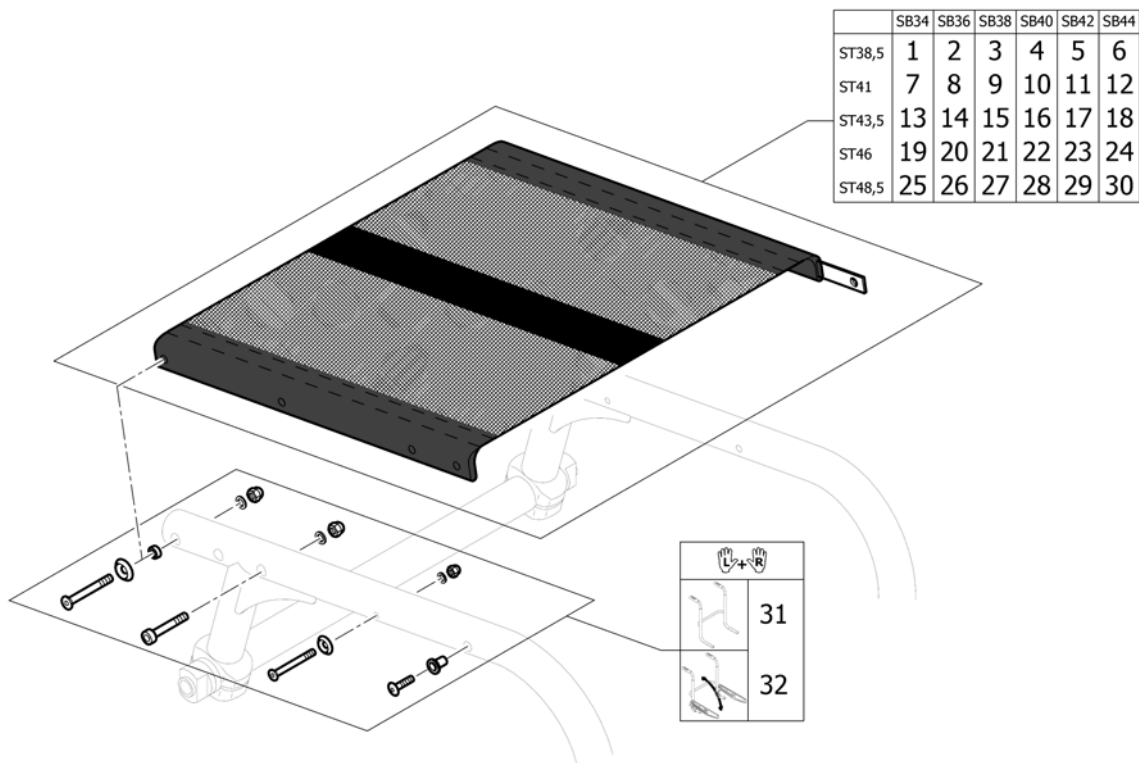


Pos.	Part number	Description	Valid from → until	Qty
1	1527116	Seat cover, kit, SB34, ST38,5		1
2	1527117	Seat cover, kit, SB36, ST38,5		1
3	1527118	Seat cover, kit, SB38, ST38,5		1
4	1527119	Seat cover, kit, SB40, ST38,5		1
5	1527120	Seat cover, kit, SB42, ST38,5		1
6	1580249	Seat cover, kit, SB44, ST38,5	2013-07-01 →	1
7	1527121	Seat cover, kit, SB34, ST41		1
8	1527134	Seat cover, kit, SB36, ST41		1
9	1527135	Seat cover, kit, SB38, ST41		1
10	1527136	Seat cover, kit, SB40, ST41		1
11	1527137	Seat cover, kit, SB42, ST41		1
12	1580250	Seat cover, kit, SB44, ST41	2013-07-01 →	1
13	1527138	Seat cover, kit, SB34, ST43,5		1
14	1527238	Seat cover, kit, SB36, ST43,5		1
15	1527239	Seat cover, kit, SB38, ST43,5		1
16	1527240	Seat cover, kit, SB40, ST43,5		1
17	1527241	Seat cover, kit, SB42, ST43,5		1
18	1580251	Seat cover, kit, SB44, ST43,5	2013-07-01 →	1
19	1564247	Seat cover, kit, SB34, ST46	2011-01-01 →	1
20	1564248	Seat cover, kit, SB36, ST46	2011-01-01 →	1
21	1564249	Seat cover, kit, SB38, ST46	2011-01-01 →	1
22	1564250	Seat cover, kit, SB40, ST46	2011-01-01 →	1
23	1564275	Seat cover, kit, SB42, ST46	2011-01-01 →	1
24	1580252	Seat cover, kit, SB44, ST46	2013-07-01 →	1
25	1564276	Seat cover, kit, SB34, ST48,5	2011-01-01 →	1
26	1564277	Seat cover, kit, SB36, ST48,5	2011-01-01 →	1
27	1564278	Seat cover, kit, SB38, ST48,5	2011-01-01 →	1
28	1564279	Seat cover, kit, SB40, ST48,5	2011-01-01 →	1
29	1564280	Seat cover, kit, SB42, ST48,5	2011-01-01 →	1
30	1580253	Seat cover, kit, SB44, ST48,5	2013-07-01 →	1
31	1571348	Fixation kit seat cover for backrest fix <i>Replaces 1527242</i>		1

Seat cover

Pos.	Part number	Description	Valid from → until	Qty
32	1571349	Fixation kit seat cover for backrest foldable <i>Replaces 1527242</i>	2010-03-01 →	1

Seat cover light

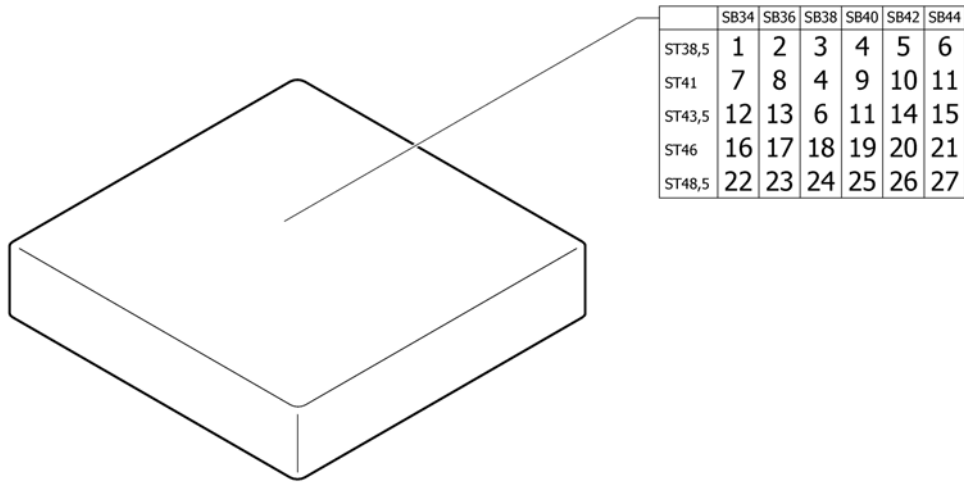


Pos.	Part number	Description	Valid from → until	Qty
1	1564558	Seat cover light complete SB34 ST38,5		1
2	1564559	Seat cover light complete SB36 ST38,5		1
3	1564560	Seat cover light complete SB38 ST38,5		1
4	1564561	Seat cover light complete SB40 ST38,5		1
5	1564562	Seat cover light complete SB42 ST38,5		1
6	1580254	Seat cover light complete SB44 ST38,5	2013-07-01 →	1
7	1564563	Seat cover light complete SB34 ST41		1
8	1564564	Seat cover light complete SB36 ST41		1
9	1564565	Seat cover light complete SB38 ST41		1
10	1564566	Seat cover light complete SB40 ST41		1
11	1564567	Seat cover light complete SB42 ST41		1
12	1580255	Seat cover light complete SB44 ST41	2013-07-01 →	1
13	1564568	Seat cover light complete SB34 ST43,5		1
14	1564569	Seat cover light complete SB36 ST43,5		1
15	1564570	Seat cover light complete SB38 ST43,5		1
16	1564571	Seat cover light complete SB40 ST43,5		1
17	1564572	Seat cover light complete SB42 ST43,5		1
18	1580256	Seat cover light complete SB44 ST43,5	2013-07-01 →	1
19	1564573	Seat cover light complete SB34 ST46		1
20	1564574	Seat cover light complete SB36 ST46		1
21	1564575	Seat cover light complete SB38 ST46		1
22	1564576	Seat cover light complete SB40 ST46		1
23	1564577	Seat cover light complete SB42 ST46		1
24	1580257	Seat cover light complete SB44 ST46	2013-07-01 →	1
25	1564578	Seat cover light complete SB34 ST48,5		1
26	1564579	Seat cover light complete SB36 ST48,5		1
27	1564580	Seat cover light complete SB38 ST48,5		1
28	1564581	Seat cover light complete SB40 ST48,5		1
29	1564582	Seat cover light complete SB42 ST48,5		1
30	1580258	Seat cover light complete SB44 ST48,5	2013-07-01 →	1
31	1571348	Fixation kit seat cover for backrest fix <i>Replaces 1527242</i>		1

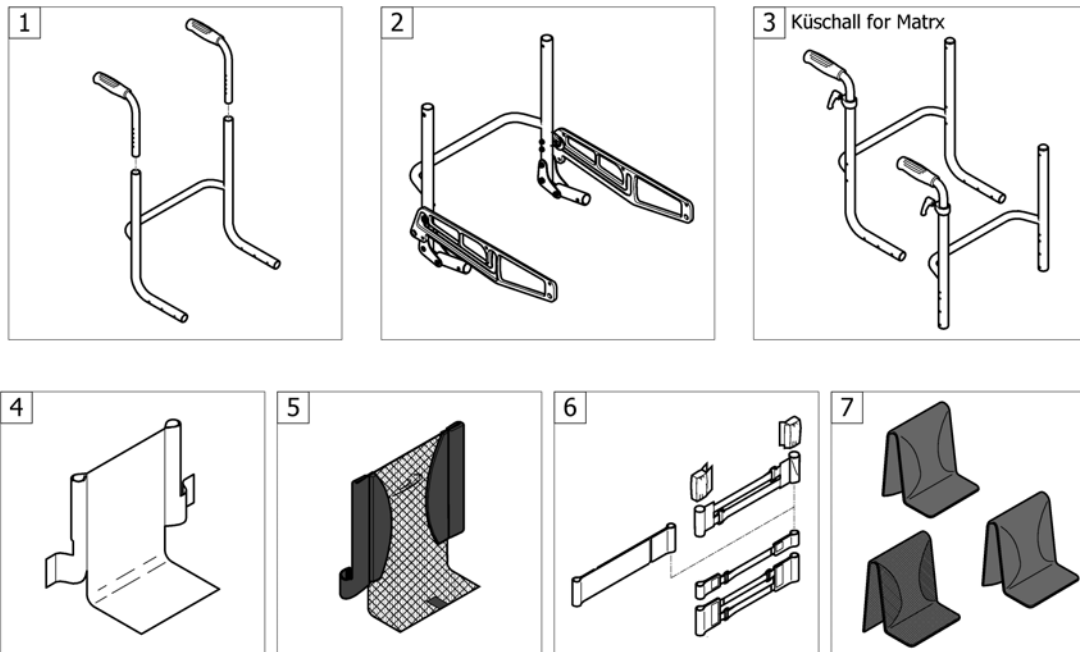
Seat cover light

Pos.	Part number	Description	Valid from → until	Qty
32	1571349	Fixation kit seat cover for backrest foldable <i>Replaces 1527242</i>		1

Seat cushion standard

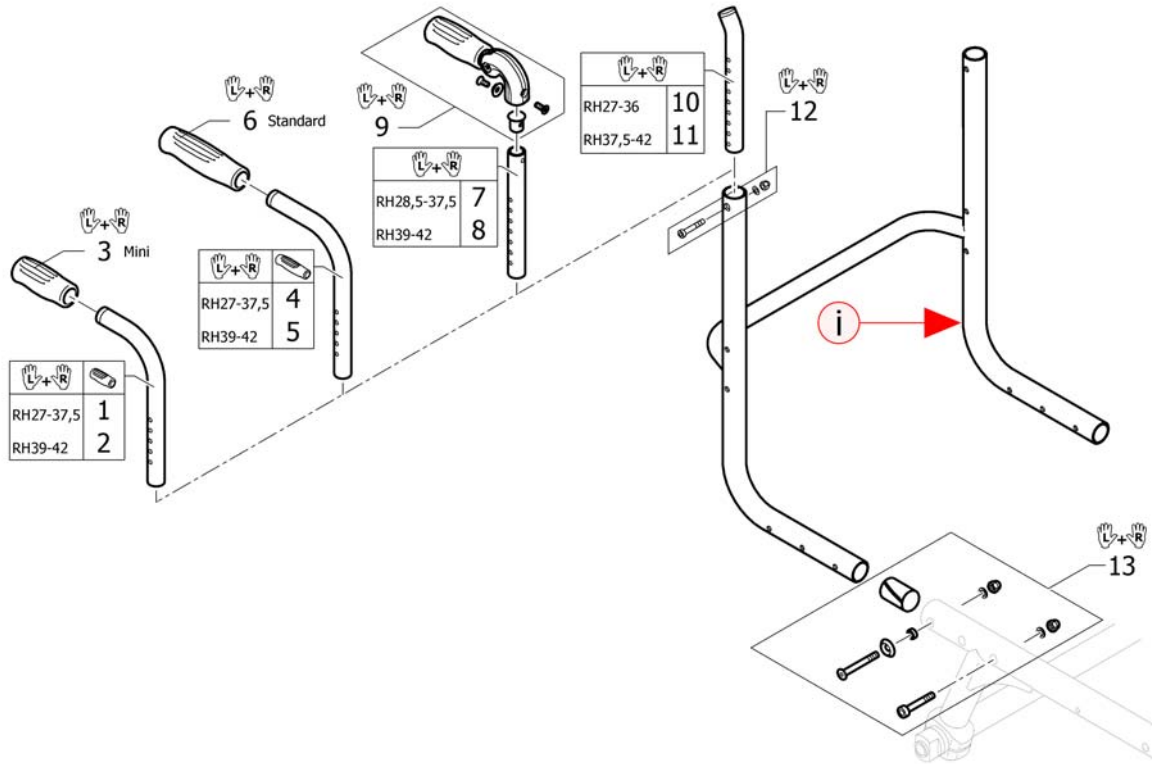


Pos.	Part number	Description	Valid from → until	Qty
1	1556327	Seat cushion 340mm x 380mm		1
2	1556336	Seat cushion 360mm x 380mm		1
3	1556344	Seat cushion 380mm x 380mm		1
4	1556345	Seat cushion 380mm x 400mm		1
5	1556346	Seat cushion 380mm x 420mm		1
6	1556347	Seat cushion 380mm x 440mm		1
7	1556328	Seat cushion 340mm x 400mm		1
8	1556337	Seat cushion 360mm x 400mm		1
9	1556352	Seat cushion 400mm x 400mm		1
10	1556353	Seat cushion 400mm x 420mm		1
11	1556354	Seat cushion 400mm x 440mm		1
12	1556330	Seat cushion 340mm x 440mm		1
13	1556339	Seat cushion 360mm x 440mm		1
14	1556360	Seat cushion 420mm x 440mm		1
15	1556365	Seat cushion 440mm x 440mm	2013-07-01 →	1
16	1556331	Seat cushion 340mm x 460mm		1
17	1556340	Seat cushion 360mm x 460mm		1
18	1556348	Seat cushion 380mm x 460mm		1
19	1556355	Seat cushion 400mm x 460mm		1
20	1556361	Seat cushion 420mm x 460mm		1
21	1556366	Seat cushion 440mm x 460mm	2013-07-01 →	1
22	1556332	Seat cushion 340mm x 480mm		1
23	1556341	Seat cushion 360mm x 480mm		1
24	1556349	Seat cushion 380mm x 480mm		1
25	1556356	Seat cushion 400mm x 480mm		1
26	1556362	Seat cushion 420mm x 480mm		1
27	1556367	Seat cushion 440mm x 480mm	2013-07-01 →	1

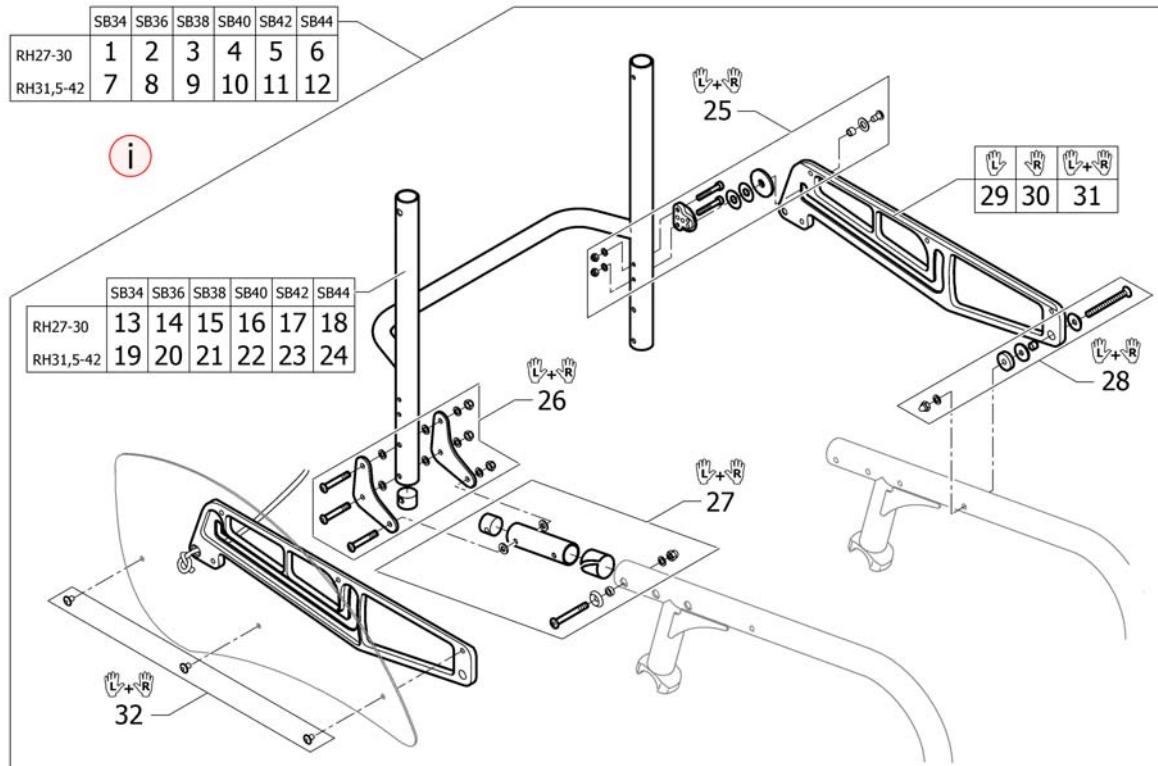
BACKREST

Pos.	Part number	Description	Valid from → until	Qty
1	-	Backrest		1
2	-	Foldable backrest	2010-03-01 →	1
3	-	Küschall backrest parts for Matrix backs	2016-01-01 →	1
4	-	Backrest cover Light		1
5	-	Backrest cover light	2011-07-01 →	1
6	-	Bands to adjustable backrest		1
7	-	Cover to adjustable backrest		1

Backrest



Pos.	Part number	Description	Valid from → until	Qty
i	-	A backrest can only be ordered with the wheelchair's serial number. Please contact Küschall customer service.		1
1	1525124	Backrest tube mini, short, pair		1
2	1525125	Backrest tube mini, long, pair		1
3	1525126	Handle black, mini, pair		1
4	1525122	Backrest tube standard, short, pair		1
5	1525123	Backrest tube standard, long, pair		1
6	1507734	Handle black, pair		1
7	1524956	Telescopic tube short for pushhandle foldable, pair		1
8	1525121	Telescopic tube medium for pushhandle foldable, pair		1
9	1507733	Push handles foldable, pair		1
10	1546913	Telescopic back tube standard short, pair		1
11	1546914	Telescopic back tube standard medium, pair		1
12	1509136	Screw kit for backrest tube		1
13	1527115	Fixation kit frame - backrest		1

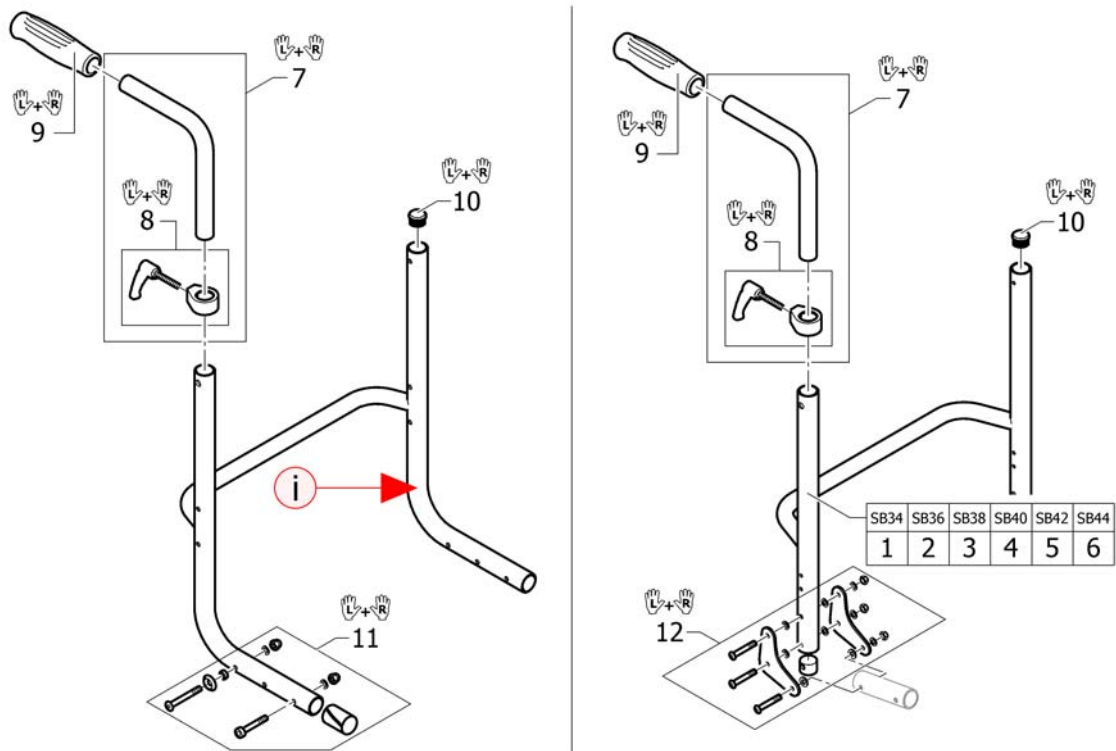
Foldable backrest

Pos.	Part number	Description	Valid from → until	Qty
i	-	A special axle tube carbon is necessary. See page axle tube carbon.		0
1	1580261	Foldable backrest SB34, short, complete		1
2	1580262	Foldable backrest SB36, short, complete		1
3	1580263	Foldable backrest SB38, short, complete		1
4	1580264	Foldable backrest SB40, short, complete		1
5	1580265	Foldable backrest SB42, short, complete		1
6	1580266	Foldable backrest SB44, short, complete	2013-07-01 →	1
7	1540896	Foldable backrest SB34, complete		1
8	1540897	Foldable backrest SB36, complete		1
9	1540898	Foldable backrest SB38, complete		1
10	1540899	Foldable backrest SB40, complete		1
11	1540900	Foldable backrest SB42, complete		1
12	1580259	Foldable backrest SB44, complete	2013-07-01 →	1
13	1580267	Backrest tube SB34, short		1
14	1580268	Backrest tube SB36, short		1
15	1580269	Backrest tube SB38, short		1
16	1580270	Backrest tube SB40, short		1
17	1580271	Backrest tube SB42, short		1
18	1580272	Backrest tube SB44, short	2013-07-01 →	1
19	1540901	Backrest tube SB34		1
20	1540902	Backrest tube SB36		1
21	1540903	Backrest tube SB38		1
22	1540904	Backrest tube SB40		1
23	1540905	Backrest tube SB42		1
24	1580260	Backrest tube SB44	2013-07-01 →	1
25	1540906	Backrest angle regulator, pair		1
26	1540907	Backrest joint plate, kit		1
27	1540908	Frame joint tubes, pair		1
28	1540909	Fixation kit support plate, front, pair		1
29	1540911	Support plate for clothes guard & mudguard, left		1
30	1540910	Support plate for clothes guard & mudguard, right		1

Foldable backrest

Pos.	Part number	Description	Valid from → until	Qty
31	1540912	Support plates for clothes guard & mudguard, pair		1
32	1547632	Fixation kit for clothes-guards or mudguards on support plates		1

Küschall backrest parts for Matrix backs

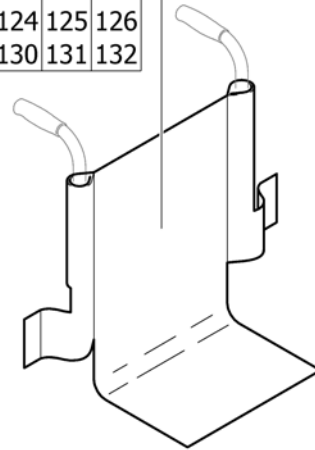
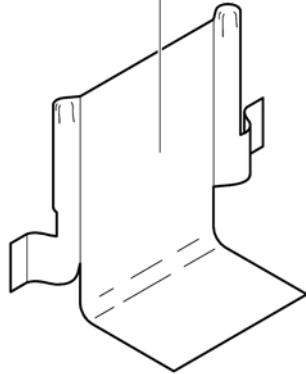


Pos.	Part number	Description	Valid from → until	Qty
i	-	A backrest can only be ordered with the wheelchair's serial number. Please contact Küschall customer service.		1
1	1540901	Backrest tube SB34	2010-03-01 →	1
2	1540902	Backrest tube SB36	2010-03-01 →	1
3	1540903	Backrest tube SB38	2010-03-01 →	1
4	1540904	Backrest tube SB40	2010-03-01 →	1
5	1540905	Backrest tube SB42	2010-03-01 →	1
6	1580260	Backrest tube SB44	2013-07-01 →	1
7	1438203	Height adjustable, integrated push handles standard, kit short UL/C04		1
8	1549985	Adjusting lever for height adjustable, integrated push handles, pair		1
9	1507734	Handle black, pair		1
10	1561018	Tube plug Ø24mm, pair		1
11	1527115	Fixation kit frame - backrest		1
12	1540907	Backrest joint plate, kit	2010-03-01 →	1

Backrest cover Light

	SB34	SB36	SB38	SB40	SB42	SB44
RH27	1	2	3	4	5	6
RH28,5	7	8	9	10	11	12
RH30	13	14	15	16	17	18
RH31,5	19	20	21	22	23	24
RH33	25	26	27	28	29	30
RH34,5	31	32	33	34	35	36
RH36	37	38	39	40	41	42
RH37,5	43	44	45	46	47	48
RH39	49	50	51	52	53	54
RH40,5	55	56	57	58	59	60
RH42	61	62	63	64	65	66

	SB34	SB36	SB38	SB40	SB42	SB44
RH27	67	68	69	70	71	72
RH28,5	73	74	75	76	77	78
RH30	79	80	81	82	83	84
RH31,5	85	86	87	88	89	90
RH33	91	92	93	94	95	96
RH34,5	97	98	99	100	101	102
RH36	103	104	105	106	107	108
RH37,5	109	110	111	112	113	114
RH39	115	116	117	118	119	120
RH40,5	121	122	123	124	125	126
RH42	127	128	129	130	131	132



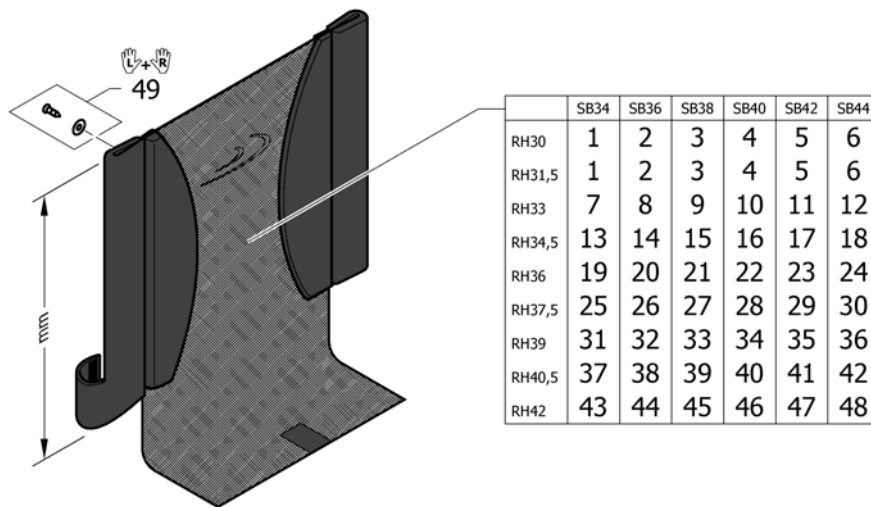
Pos.	Part number	Description	Valid from → until	Qty
1	1527243	Backrest cover Light SB34 RH27, without pushhandles		1
2	1527244	Backrest cover Light SB36 RH27, without pushhandles		1
3	1528049	Backrest cover Light SB38 RH27, without pushhandles		1
4	1528050	Backrest cover Light SB40 RH27, without pushhandles		1
5	1528051	Backrest cover Light SB42 RH27, without pushhandles		1
6	1570132	Backrest cover Light SB44 RH27, without pushhandles	2013-07-01 →	1
7	1528052	Backrest cover Light SB34 RH28,5, without pushhandles		1
8	1528053	Backrest cover Light SB36 RH28,5, without pushhandles		1
9	1528054	Backrest cover Light SB38 RH28,5, without pushhandles		1
10	1528055	Backrest cover Light SB40 RH28,5, without pushhandles		1
11	1528056	Backrest cover Light SB42 RH28,5, without pushhandles		1
12	1570133	Backrest cover Light SB44 RH28,5, without pushhandles	2013-07-01 →	1
13	1528168	Backrest cover Light SB34 RH30, without pushhandles		1
14	1528169	Backrest cover Light SB36 RH30, without pushhandles		1
15	1528170	Backrest cover Light SB38 RH30, without pushhandles		1
16	1528171	Backrest cover Light SB40 RH30, without pushhandles		1
17	1528172	Backrest cover Light SB42 RH30, without pushhandles		1
18	1570134	Backrest cover Light SB44 RH30, without pushhandles	2013-07-01 →	1
19	1528173	Backrest cover Light SB34 RH31,5, without pushhandles		1
20	1528174	Backrest cover Light SB36 RH31,5, without pushhandles		1
21	1528175	Backrest cover Light SB38 RH31,5, without pushhandles		1
22	1528176	Backrest cover Light SB40 RH31,5, without pushhandles		1
23	1528177	Backrest cover Light SB42 RH31,5, without pushhandles		1
24	1570135	Backrest cover Light SB44 RH31,5, without pushhandles	2013-07-01 →	1
25	1528178	Backrest cover Light SB34 RH33, without pushhandles		1
26	1528179	Backrest cover Light SB36 RH33, without pushhandles		1
27	1528180	Backrest cover Light SB38 RH33, without pushhandles		1
28	1528181	Backrest cover Light SB40 RH33, without pushhandles		1
29	1528182	Backrest cover Light SB42 RH33, without pushhandles		1
30	1570136	Backrest cover Light SB44 RH33, without pushhandles	2013-07-01 →	1
31	1528183	Backrest cover Light SB34 RH34,5, without pushhandles		1

Backrest cover Light

Pos.	Part number	Description	Valid from → until	Qty
32	1528184	Backrest cover Light SB36 RH34,5, without pushhandles		1
33	1528185	Backrest cover Light SB38 RH34,5, without pushhandles		1
34	1528186	Backrest cover Light SB40 RH34,5, without pushhandles		1
35	1528187	Backrest cover Light SB42 RH34,5, without pushhandles		1
36	1570137	Backrest cover Light SB44 RH34,5, without pushhandles	2013-07-01 →	1
37	1528188	Backrest cover Light SB34 RH36, without pushhandles		1
38	1528189	Backrest cover Light SB36 RH36, without pushhandles		1
39	1528190	Backrest cover Light SB38 RH36, without pushhandles		1
40	1528191	Backrest cover Light SB40 RH36, without pushhandles		1
41	1528192	Backrest cover Light SB42 RH36, without pushhandles		1
42	1570138	Backrest cover Light SB44 RH36, without pushhandles	2013-07-01 →	1
43	1528193	Backrest cover Light SB34 RH37,5, without pushhandles		1
44	1528194	Backrest cover Light SB36 RH37,5, without pushhandles		1
45	1528195	Backrest cover Light SB38 RH37,5, without pushhandles		1
46	1528196	Backrest cover Light SB40 RH37,5, without pushhandles		1
47	1528197	Backrest cover Light SB42 RH37,5, without pushhandles		1
48	1570139	Backrest cover Light SB44 RH37,5, without pushhandles	2013-07-01 →	1
49	1528198	Backrest cover Light SB34 RH39, without pushhandles		1
50	1528199	Backrest cover Light SB36 RH39, without pushhandles		1
51	1528200	Backrest cover Light SB38 RH39, without pushhandles		1
52	1528201	Backrest cover Light SB40 RH39, without pushhandles		1
53	1528202	Backrest cover Light SB42 RH39, without pushhandles		1
54	1570140	Backrest cover Light SB44 RH39, without pushhandles	2013-07-01 →	1
55	1570151	Backrest cover Light SB34 RH40,5, without pushhandles	2013-07-01 →	1
56	1570149	Backrest cover Light SB36 RH40,5, without pushhandles	2013-07-01 →	1
57	1570147	Backrest cover Light SB38 RH40,5, without pushhandles	2013-07-01 →	1
58	1570145	Backrest cover Light SB40 RH40,5, without pushhandles	2013-07-01 →	1
59	1570143	Backrest cover Light SB42 RH40,5, without pushhandles	2013-07-01 →	1
60	1570141	Backrest cover Light SB44 RH40,5, without pushhandles	2013-07-01 →	1
61	1570152	Backrest cover Light SB34 RH42, without pushhandles	2013-07-01 →	1
62	1570150	Backrest cover Light SB36 RH42, without pushhandles	2013-07-01 →	1
63	1570148	Backrest cover Light SB38 RH42, without pushhandles	2013-07-01 →	1
64	1570146	Backrest cover Light SB40 RH42, without pushhandles	2013-07-01 →	1
65	1570144	Backrest cover Light SB42 RH42, without pushhandles	2013-07-01 →	1
66	1570142	Backrest cover Light SB44 RH42, without pushhandles	2013-07-01 →	1
67	1528203	Backrest cover Light SB34 RH27 for push handles		1
68	1528204	Backrest cover Light SB36 RH27 for push handles		1
69	1528205	Backrest cover Light SB38 RH27 for push handles		1
70	1528206	Backrest cover Light SB40 RH27 for push handles		1
71	1528207	Backrest cover Light SB42 RH27 for push handles		1
72	1570111	Backrest cover Light SB44 RH27 for push handles	2013-07-01 →	1
73	1528208	Backrest cover Light SB34 RH28,5 for push handles		1
74	1528209	Backrest cover Light SB36 RH28,5 for push handles		1
75	1528210	Backrest cover Light SB38 RH28,5 for push handles		1
76	1528211	Backrest cover Light SB40 RH28,5 for push handles		1
77	1528212	Backrest cover Light SB42 RH28,5 for push handles		1
78	1570112	Backrest cover Light SB44 RH28,5 for push handles	2013-07-01 →	1
79	1528213	Backrest cover Light SB34 RH30 for push handles		1
80	1528214	Backrest cover Light SB36 RH30 for push handles		1
81	1528215	Backrest cover Light SB38 RH30 for push handles		1
82	1528216	Backrest cover Light SB40 RH30 for push handles		1
83	1528217	Backrest cover Light SB42 RH30 for push handles		1
84	1570113	Backrest cover Light SB44 RH30 for push handles	2013-07-01 →	1
85	1528258	Backrest cover Light SB34 RH31,5 for push handles		1
86	1528259	Backrest cover Light SB36 RH31,5 for push handles		1

Backrest cover Light

Pos.	Part number	Description	Valid from → until	Qty
87	1528396	Backrest cover Light SB38 RH31,5 for push handles		1
88	1528397	Backrest cover Light SB40 RH31,5 for push handles		1
89	1528398	Backrest cover Light SB42 RH31,5 for push handles		1
90	1570114	Backrest cover Light SB44 RH31,5 for push handles	2013-07-01 →	1
91	1528461	Backrest cover Light SB34 RH33 for push handles		1
92	1528462	Backrest cover Light SB36 RH33 for push handles		1
93	1528463	Backrest cover Light SB38 RH33 for push handles		1
94	1528464	Backrest cover Light SB40 RH33 for push handles		1
95	1528465	Backrest cover Light SB42 RH33 for push handles		1
96	1570115	Backrest cover Light SB44 RH33 for push handles	2013-07-01 →	1
97	1528466	Backrest cover Light SB34 RH34,5 for push handles		1
98	1528467	Backrest cover Light SB36 RH34,5 for push handles		1
99	1528468	Backrest cover Light SB38 RH34,5 for push handles		1
100	1528469	Backrest cover Light SB40 RH34,5 for push handles		1
101	1528470	Backrest cover Light SB42 RH34,5 for push handles		1
102	1570116	Backrest cover Light SB44 RH34,5 for push handles	2013-07-01 →	1
103	1528471	Backrest cover Light SB34 RH36 for push handles		1
104	1528472	Backrest cover Light SB36 RH36 for push handles		1
105	1528473	Backrest cover Light SB38 RH36 for push handles		1
106	1528474	Backrest cover Light SB40 RH36 for push handles		1
107	1528475	Backrest cover Light SB42 RH36 for push handles		1
108	1570117	Backrest cover Light SB44 RH36 for push handles	2013-07-01 →	1
109	1528476	Backrest cover Light SB34 RH37,5 for push handles		1
110	1528477	Backrest cover Light SB36 RH37,5 for push handles		1
111	1528478	Backrest cover Light SB38 RH37,5 for push handles		1
112	1528479	Backrest cover Light SB40 RH37,5 for push handles		1
113	1528480	Backrest cover Light SB42 RH37,5 for push handles		1
114	1570118	Backrest cover Light SB44 RH37,5 for push handles	2013-07-01 →	1
115	1528481	Backrest cover Light SB34 RH39 for push handles		1
116	1528482	Backrest cover Light SB36 RH39 for push handles		1
117	1528483	Backrest cover Light SB38 RH39 for push handles		1
118	1528484	Backrest cover Light SB40 RH39 for push handles		1
119	1528586	Backrest cover Light SB42 RH39 for push handles		1
120	1570119	Backrest cover Light SB44 RH39 for push handles	2013-07-01 →	1
121	1570130	Backrest cover Light SB34 RH40,5 for push handles	2013-07-01 →	1
122	1570128	Backrest cover Light SB36 RH40,5 for push handles	2013-07-01 →	1
123	1570126	Backrest cover Light SB38 RH40,5 for push handles	2013-07-01 →	1
124	1570124	Backrest cover Light SB40 RH40,5 for push handles	2013-07-01 →	1
125	1570122	Backrest cover Light SB42 RH40,5 for push handles	2013-07-01 →	1
126	1570120	Backrest cover Light SB44 RH40,5 for push handles	2013-07-01 →	1
127	1570131	Backrest cover Light SB34 RH42 for push handles	2013-07-01 →	1
128	1570129	Backrest cover Light SB36 RH42 for push handles	2013-07-01 →	1
129	1570127	Backrest cover Light SB38 RH42 for push handles	2013-07-01 →	1
130	1570125	Backrest cover Light SB40 RH42 for push handles	2013-07-01 →	1
131	1570123	Backrest cover Light SB42 RH42 for push handles	2013-07-01 →	1
132	1570121	Backrest cover Light SB44 RH42 for push handles	2013-07-01 →	1

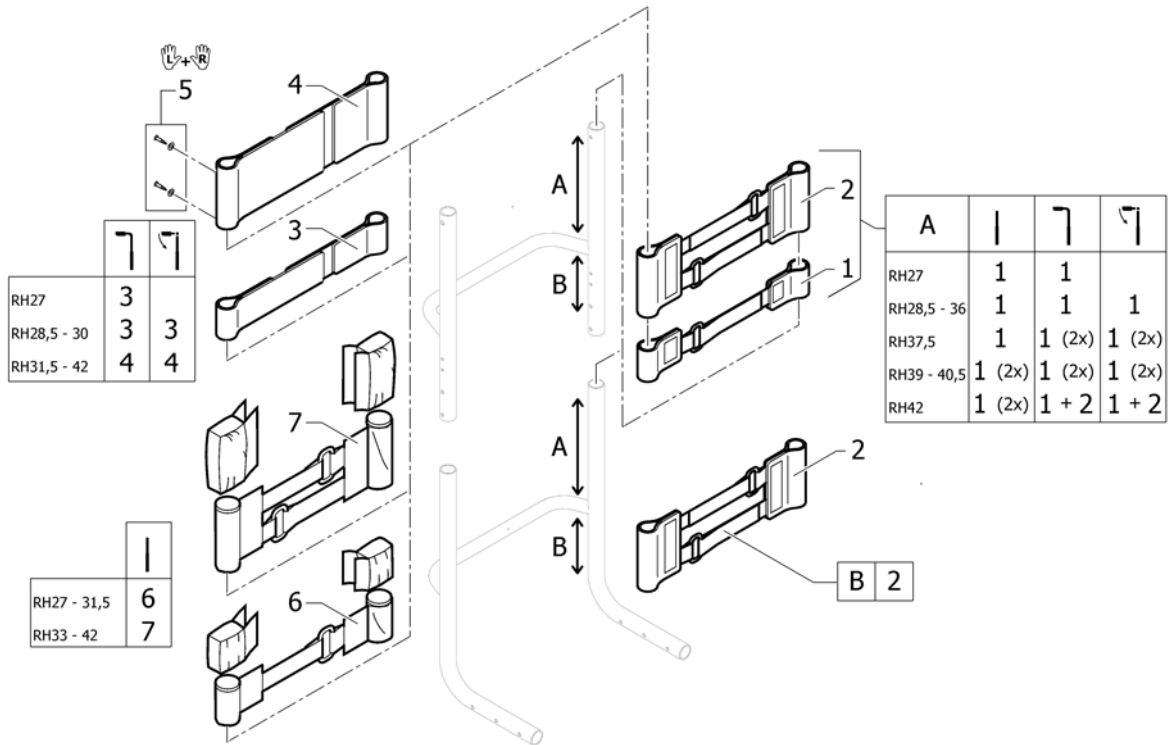
Backrest cover light

Pos.	Part number	Description	Valid from → until	Qty
1	1559117	Backrest cover light SB34 x 240mm		1
2	1559280	Backrest cover light SB36 x 240mm		1
3	1559556	Backrest cover light SB38 x 240mm		1
4	1560071	Backrest cover light SB40 x 240mm		1
5	1560129	Backrest cover light SB42 x 240mm		1
6	1560144	Backrest cover light SB44 x 240mm	2013-07-01 →	1
7	1559118	Backrest cover light SB34 x 255mm		1
8	1559281	Backrest cover light SB36 x 255mm		1
9	1559557	Backrest cover light SB38 x 255mm		1
10	1560072	Backrest cover light SB40 x 255mm		1
11	1560130	Backrest cover light SB42 x 255mm		1
12	1560145	Backrest cover light SB44 x 255mm	2013-07-01 →	1
13	1559119	Backrest cover light SB34 x 270mm		1
14	1559282	Backrest cover light SB36 x 270mm		1
15	1559558	Backrest cover light SB38 x 270mm		1
16	1560073	Backrest cover light SB40 x 270mm		1
17	1560131	Backrest cover light SB42 x 270mm		1
18	1560146	Backrest cover light SB44 x 270mm	2013-07-01 →	1
19	1559120	Backrest cover light SB34 x 285mm		1
20	1559283	Backrest cover light SB36 x 285mm		1
21	1559559	Backrest cover light SB38 x 285mm		1
22	1560117	Backrest cover light SB40 x 285mm		1
23	1560132	Backrest cover light SB42 x 285mm		1
24	1560147	Backrest cover light SB44 x 285mm	2013-07-01 →	1
25	1559121	Backrest cover light SB34 x 300mm		1
26	1559284	Backrest cover light SB36 x 300mm		1
27	1559560	Backrest cover light SB38 x 300mm		1
28	1560118	Backrest cover light SB40 x 300mm		1
29	1560133	Backrest cover light SB42 x 300mm		1
30	1560148	Backrest cover light SB44 x 300mm	2013-07-01 →	1
31	1559122	Backrest cover light SB34 x 315mm		1

Backrest cover light

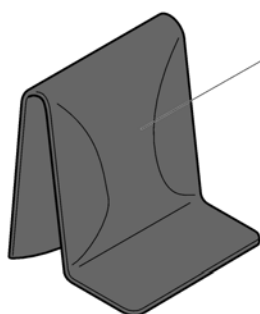
Pos.	Part number	Description	Valid from → until	Qty
32	1559285	Backrest cover light SB36 x 315mm		1
33	1559561	Backrest cover light SB38 x 315mm		1
34	1560119	Backrest cover light SB40 x 315mm		1
35	1560134	Backrest cover light SB42 x 315mm		1
36	1560149	Backrest cover light SB44 x 315mm	2013-07-01 →	1
37	1559123	Backrest cover light SB34 x 330mm		1
38	1559335	Backrest cover light SB36 x 330mm		1
39	1559562	Backrest cover light SB38 x 330mm		1
40	1560120	Backrest cover light SB40 x 330mm		1
41	1560135	Backrest cover light SB42 x 330mm		1
42	1560150	Backrest cover light SB44 x 330mm	2013-07-01 →	1
43	1559124	Backrest cover light SB34 x 345mm		1
44	1559336	Backrest cover light SB36 x 345mm		1
45	1559563	Backrest cover light SB38 x 345mm		1
46	1560121	Backrest cover light SB40 x 345mm		1
47	1560136	Backrest cover light SB42 x 345mm		1
48	1560151	Backrest cover light SB44 x 345mm	2013-07-01 →	1
49	1432083	Fixation kit for backrest band		1

Bands to adjustable backrest

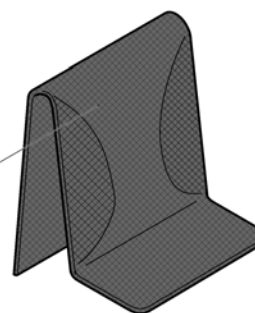


Pos.	Part number	Description	Valid from → until	Qty
1	1513167	Velcro adjustment part with 1 strap, pair		1
2	1513168	Velcro adjustment strap with 2 straps, pair		1
3	1513170	Backrest band 2 parts, width: 5cm		1
4	1513171	Backrest band 2 parts, width: 10cm		1
5	1432083	Fixation kit for backrest band		1
6	1513172	Velcro end part, 5 cm		1
7	1513173	Velcro end part, 10cm		1

Cover to adjustable backrest

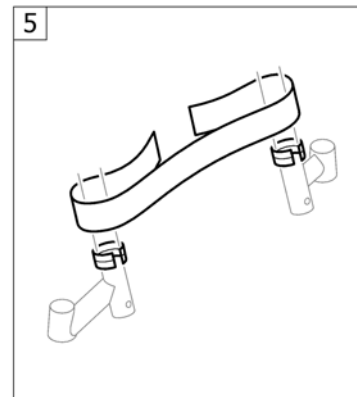
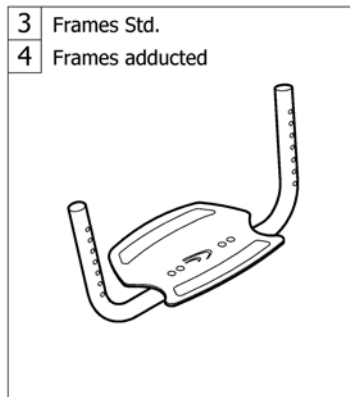
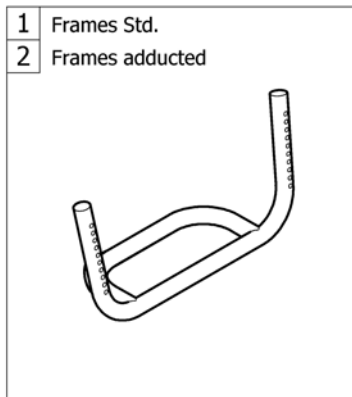


Std. (black premium)	SB32-34	SB36-38	SB40-42	SB44-46
RH27-30	1	2	3	4
RH31,5-36	5	6	7	8
RH37,5-42	9	10	11	12



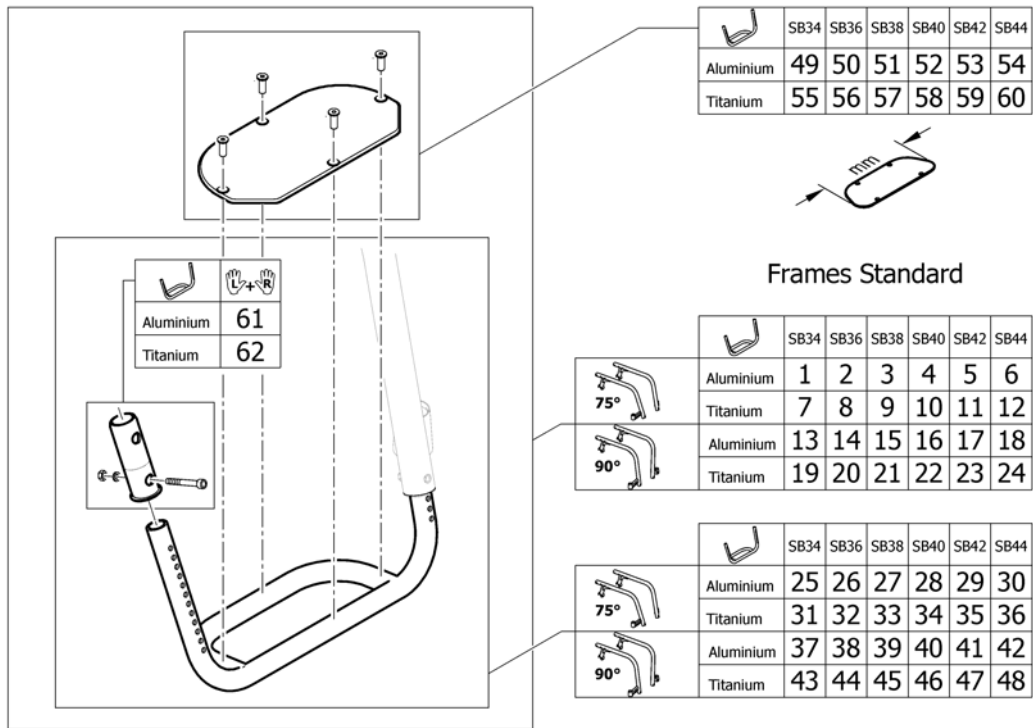
Aeroback	SB32-34	SB36-38	SB40-42	SB44-46
RH27-33	13	14	15	16
RH34,5-40.5	17	18	19	20
RH42	21	22	23	24

Pos.	Part number	Description	Valid from → until	Qty
1	SP1606369	Cover black premium to adjustable backrest SB32-34 Xshort		1
2	SP1606370	Cover black premium to adjustable backrest SB36-38 Xshort		1
3	SP1606407	Cover black premium to adjustable backrest SB40-42 Xshort		1
4	SP1606408	Cover black premium to adjustable backrest SB44-46 Xshort		1
5	SP1606000	Cover black to adjustable backrest, SB32-34, short		1
6	SP1606001	Cover black to adjustable backrest, SB36-38, short		1
7	SP1606002	Cover black to adjustable backrest, SB40-42, short		1
8	SP1606003	Cover black to adjustable backrest, SB44-46, short		1
9	SP1606006	Cover black to adjustable backrest, SB32-34, medium		1
10	SP1606007	Cover black to adjustable backrest, SB36-38, medium		1
11	SP1606008	Cover black to adjustable backrest, SB40-42, medium		1
12	SP1606009	Cover black to adjustable backrest, SB44-46, medium		1
13	1512156	Cover 'Aero' to adjustable backrest, SB32-34, short		1
14	1512157	Cover 'Aero' to adjustable backrest, SB36-38, short		1
15	1512158	Cover 'Aero' to adjustable backrest, SB40-42, short		1
16	1512159	Cover 'Aero' to adjustable backrest, SB44-46, short	2013-07-01 →	1
17	1512161	Cover 'Aero' to adjustable backrest, SB32-34, medium		1
18	1512162	Cover 'Aero' to adjustable backrest, SB36-38, medium		1
19	1512163	Cover 'Aero' to adjustable backrest, SB40-42, medium		1
20	1512164	Cover 'Aero' to adjustable backrest, SB44-46, medium	2013-07-01 →	1
21	1512166	Cover 'Aero' to adjustable backrest, SB32-34, long	2013-07-01 →	1
22	1512167	Cover 'Aero' to adjustable backrest, SB36-38, long	2013-07-01 →	1
23	1512168	Cover 'Aero' to adjustable backrest, SB40-42, long	2013-07-01 →	1
24	1512169	Cover 'Aero' to adjustable backrest, SB44-46, long	2013-07-01 →	1



Pos.	Part number	Description	Valid from → until	Qty
1	-	Footrest standard		1
2	-	Footrest standard for adducted frame	2013-07-01 →	1
3	-	Footrest angle adjustable		1
4	-	Footrest angle adjustable for adducted frame	2013-07-01 →	1
5	-	Calf strap		1

Footrest standard

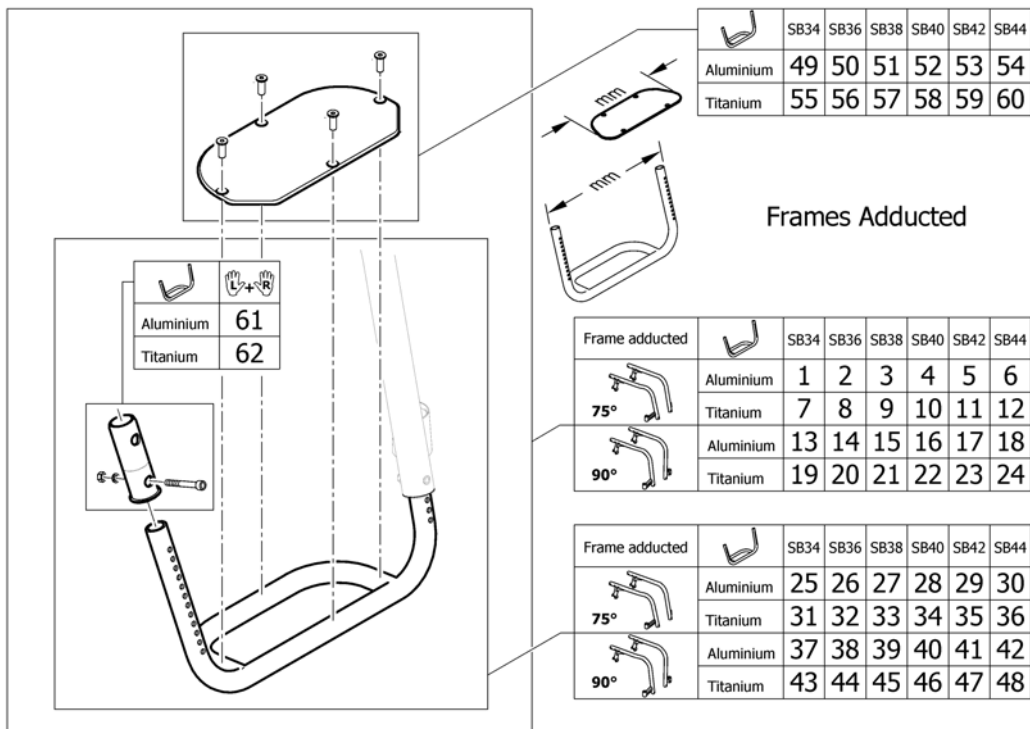


Pos.	Part number	Description	Valid from → until	Qty
1	1547275	Footrest 75° Aluminium with plate complete SB34	2016-01-01 →	1
2	1547276	Footrest 75° Aluminium with plate complete SB36	2016-01-01 →	1
3	1547277	Footrest 75° Aluminium with plate complete SB38	2016-01-01 →	1
4	1547278	Footrest 75° Aluminium with plate complete SB40	2016-01-01 →	1
5	1547279	Footrest 75° Aluminium with plate complete SB42	2016-01-01 →	1
6	1547280	Footrest 75° Aluminium with plate complete SB44	2016-01-01 →	1
7	1517791	Footrest 75° Titanium with plate complete SB34	2016-01-01 →	1
8	1517792	Footrest 75° Titanium with plate complete SB36	2016-01-01 →	1
9	1517793	Footrest 75° Titanium with plate complete SB38	2016-01-01 →	1
10	1517794	Footrest 75° Titanium with plate complete SB40	2016-01-01 →	1
11	1517795	Footrest 75° Titanium with plate complete SB42	2016-01-01 →	1
12	1517796	Footrest 75° Titanium with plate complete SB44	2016-01-01 →	1
13	1547282	Footrest 90° Aluminium with plate complete SB34	2016-01-01 →	1
14	1547283	Footrest 90° Aluminium with plate complete SB36	2016-01-01 →	1
15	1547284	Footrest 90° Aluminium with plate complete SB38	2016-01-01 →	1
16	1547285	Footrest 90° Aluminium with plate complete SB40	2016-01-01 →	1
17	1547286	Footrest 90° Aluminium with plate complete SB42	2016-01-01 →	1
18	1547287	Footrest 90° Aluminium with plate complete SB44	2016-01-01 →	1
19	1517804	Footrest 90° Titanium with plate complete SB34	2016-01-01 →	1
20	1517805	Footrest 90° Titanium with plate complete SB36	2016-01-01 →	1
21	1517806	Footrest 90° Titanium with plate complete SB38	2016-01-01 →	1
22	1517807	Footrest 90° Titanium with plate complete SB40	2016-01-01 →	1
23	1517808	Footrest 90° Titanium with plate complete SB42	2016-01-01 →	1
24	1517809	Footrest 90° Titanium with plate complete SB44	2016-01-01 →	1
25	1547289	Footrest 75° Aluminium complete SB34	2014-01-01 →	1
26	1547290	Footrest 75° Aluminium complete SB36	2014-01-01 →	1
27	1547291	Footrest 75° Aluminium complete SB38	2014-01-01 →	1
28	1547292	Footrest 75° Aluminium complete SB40	2014-01-01 →	1
29	1547293	Footrest 75° Aluminium complete SB42	2014-01-01 →	1
30	1547294	Footrest 75° Aluminium complete SB44	2014-01-01 →	1
31	1485853	Footrest 75° Titanium complete SB34		1

Footrest standard

Pos.	Part number	Description	Valid from → until	Qty
32	1485854	Footrest 75° Titanium complete SB36		1
33	1485855	Footrest 75° Titanium complete SB38		1
34	1485856	Footrest 75° Titanium complete SB40		1
35	1485857	Footrest 75° Titanium complete SB42		1
36	1485858	Footrest 75° Titanium complete SB44	2013-07-01 →	1
37	1547296	Footrest 90° Aluminium complete SB34	2014-01-01 →	1
38	1547321	Footrest 90° Aluminium complete SB36	2014-01-01 →	1
39	1547322	Footrest 90° Aluminium complete SB38	2014-01-01 →	1
40	1547323	Footrest 90° Aluminium complete SB40	2014-01-01 →	1
41	1547324	Footrest 90° Aluminium complete SB42	2014-01-01 →	1
42	1547325	Footrest 90° Aluminium complete SB44	2014-01-01 →	1
43	1485859	Footrest 90° Titanium complete SB34		1
44	1485860	Footrest 90° Titanium complete SB36		1
45	1485861	Footrest 90° Titanium complete SB38		1
46	1485862	Footrest 90° Titanium complete SB40		1
47	1485863	Footrest 90° Titanium complete SB42		1
48	1485864	Footrest 90° Titanium complete SB44	2013-07-01 →	1
49	1583594	Footplate 154mm	2016-01-01 →	1
50	1583595	Footplate 174mm	2016-01-01 →	1
51	1583596	Footplate 194mm	2016-01-01 →	1
52	1583597	Footplate 214mm	2016-01-01 →	1
53	1583598	Footplate 234mm	2016-01-01 →	1
54	1583599	Footplate 254mm	2016-01-01 →	1
55	SP1589855	Footplate Titanium 164mm	2016-01-01 →	1
56	SP1589856	Footplate Titanium 184mm	2016-01-01 →	1
57	SP1589857	Footplate Titanium 204mm	2016-01-01 →	1
58	SP1589858	Footplate Titanium 224mm	2016-01-01 →	1
59	SP1589859	Footplate Titanium 244mm	2016-01-01 →	1
60	SP1589860	Footplate Titanium 264mm	2016-01-01 →	1
61	1547274	Footplate sleeve Alu	2014-01-01 →	1
62	1451717	Footplate sleeve Titanium		1

Footrest standard for adducted frame

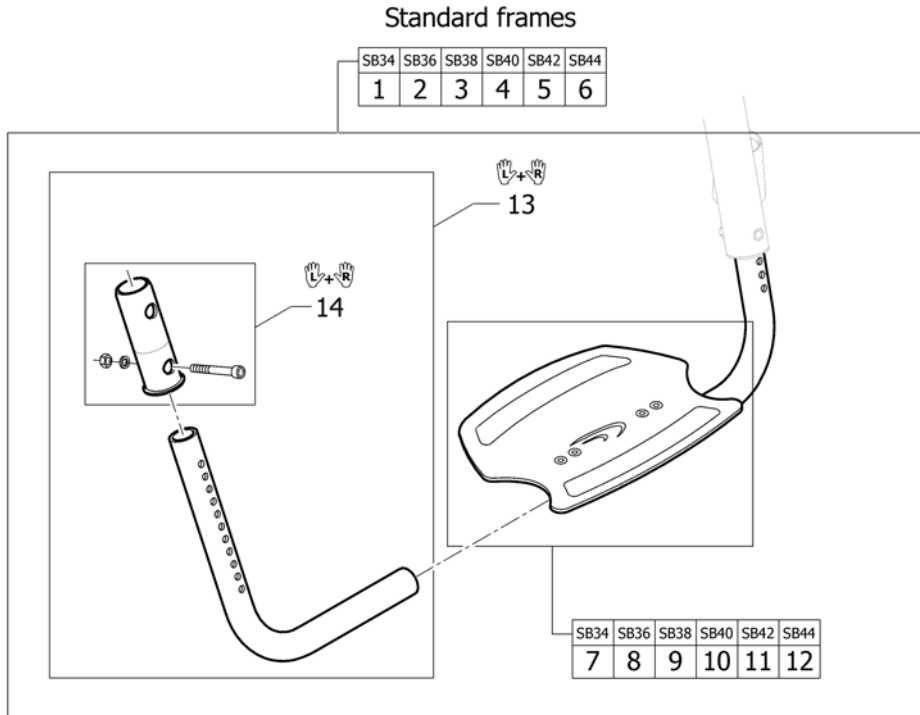


Pos.	Part number	Description	Valid from → until	Qty
1	SP1601971	Footrest Aluminium 270mm with plate for frame 75°, complete	2016-01-01 →	1
2	SP1601972	Footrest Aluminium 290mm with plate for frame 75°, complete	2016-01-01 →	1
3	SP1601973	Footrest Aluminium 310mm with plate for frame 75°, complete	2016-01-01 →	1
4	SP1601974	Footrest Aluminium 330mm with plate for frame 75°, complete	2016-01-01 →	1
5	SP1601975	Footrest Aluminium 350mm with plate for frame 75°, complete	2016-01-01 →	1
6	SP1601976	Footrest Aluminium 370mm with plate for frame 75°, complete	2016-01-01 →	1
7	SP1601977	Footrest Titanium 269mm with plate for frame 75°, complete	2016-01-01 →	1
8	SP1601978	Footrest Titanium 289mm with plate for frame 75°, complete	2016-01-01 →	1
9	SP1601979	Footrest Titanium 309mm with plate for frame 75°, complete	2016-01-01 →	1
10	SP1601980	Footrest Titanium 329mm with plate for frame 75°, complete	2016-01-01 →	1
11	SP1601981	Footrest Titanium 349mm with plate for frame 75°, complete	2016-01-01 →	1
12	SP1601982	Footrest Titanium 369mm with plate for frame 75°, complete	2016-01-01 →	1
13	SP1601983	Footrest Aluminium 270mm with plate for frame 90°, complete	2016-01-01 →	1
14	SP1602012	Footrest Aluminium 290mm with plate for frame 90°, complete	2016-01-01 →	1
15	SP1602162	Footrest Aluminium 310mm with plate for frame 90°, complete	2016-01-01 →	1
16	SP1602163	Footrest Aluminium 330mm with plate for frame 90°, complete	2016-01-01 →	1
17	SP1602164	Footrest Aluminium 350mm with plate for frame 90°, complete	2016-01-01 →	1
18	SP1602165	Footrest Aluminium 370mm with plate for frame 90°, complete	2016-01-01 →	1
19	SP1602166	Footrest Titanium 269mm with plate for frame 90°, complete	2016-01-01 →	1
20	SP1602167	Footrest Titanium 289mm with plate for frame 90°, complete	2016-01-01 →	1
21	SP1602168	Footrest Titanium 309mm with plate for frame 90°, complete	2016-01-01 →	1
22	SP1602169	Footrest Titanium 329mm with plate for frame 90°, complete	2016-01-01 →	1
23	SP1602170	Footrest Titanium 349mm with plate for frame 90°, complete	2016-01-01 →	1
24	SP1602171	Footrest Titanium 369mm with plate for frame 90°, complete	2016-01-01 →	1
25	1583437	Footrest Aluminium 270mm for frame 75°, complete	2014-08-08 →	1
26	1580276	Footrest Aluminium 290mm for frame 75°, complete	2014-01-01 →	1
27	1580277	Footrest Aluminium 310mm for frame 75°, complete	2014-01-01 →	1
28	1580278	Footrest Aluminium 330mm for frame 75°, complete	2014-01-01 →	1
29	1580279	Footrest Aluminium 350mm for frame 75°, complete	2014-01-01 →	1
30	1580280	Footrest Aluminium 370mm for frame 75°, complete	2014-01-01 →	1
31	1580423	Footrest Titanium 269mm for frame 75°, complete		1

Footrest standard for adducted frame

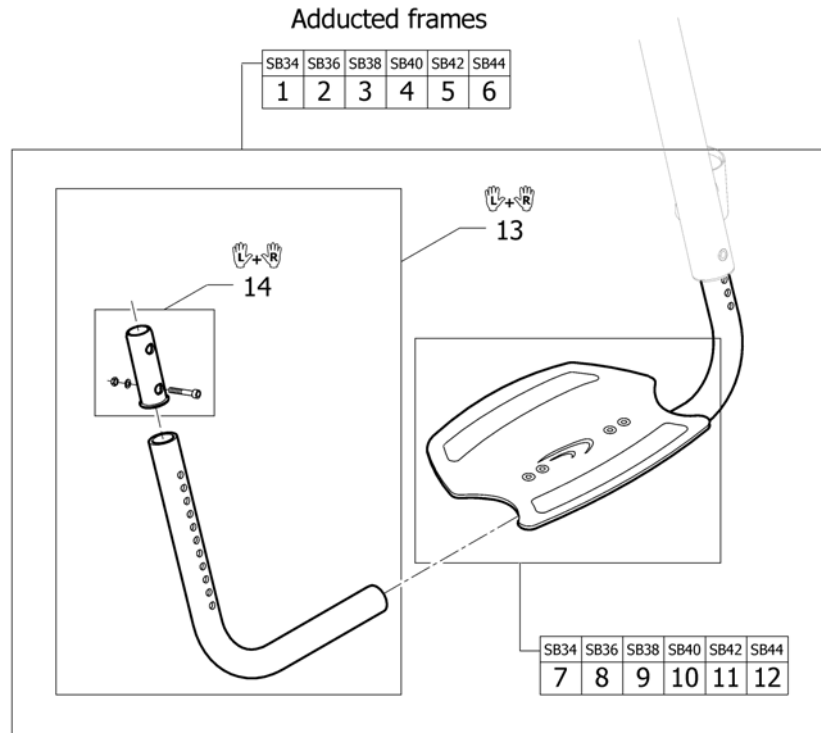
Pos.	Part number	Description	Valid from → until	Qty
32	1580424	Footrest Titanium 289mm for frame 75°, complete		1
33	1580425	Footrest Titanium 309mm for frame 75°, complete		1
34	1580426	Footrest Titanium 329mm for frame 75°, complete		1
35	1580427	Footrest Titanium 349mm for frame 75°, complete		1
36	1580428	Footrest Titanium 369mm for frame 75°, complete		1
37	1583438	Footrest Aluminium 270mm for frame 90°, complete	2014-08-08 →	1
38	1580407	Footrest Aluminium 290mm for frame 90°, complete	2014-01-01 →	1
39	1580416	Footrest Aluminium 310mm for frame 90°, complete	2014-01-01 →	1
40	1580417	Footrest Aluminium 330mm for frame 90°, complete	2014-01-01 →	1
41	1580418	Footrest Aluminium 350mm for frame 90°, complete	2014-01-01 →	1
42	1580419	Footrest Aluminium 370mm for frame 90°, complete	2014-01-01 →	1
43	1580432	Footrest Titanium 269mm for frame 90°, complete		1
44	1580433	Footrest Titanium 289mm for frame 90°, complete		1
45	1580434	Footrest Titanium 309mm for frame 90°, complete		1
46	1580435	Footrest Titanium 329mm for frame 90°, complete		1
47	1580436	Footrest Titanium 349mm for frame 90°, complete		1
48	1580437	Footrest Titanium 369mm for frame 90°, complete		1
49	1583594	Footplate 154mm	2016-01-01 →	1
50	1583595	Footplate 174mm	2016-01-01 →	1
51	1583596	Footplate 194mm	2016-01-01 →	1
52	1583597	Footplate 214mm	2016-01-01 →	1
53	1583598	Footplate 234mm	2016-01-01 →	1
54	1583599	Footplate 254mm	2016-01-01 →	1
55	SP1589855	Footplate Titanium 164mm	2016-01-01 →	1
56	SP1589856	Footplate Titanium 184mm	2016-01-01 →	1
57	SP1589857	Footplate Titanium 204mm	2016-01-01 →	1
58	SP1589858	Footplate Titanium 224mm	2016-01-01 →	1
59	SP1589859	Footplate Titanium 244mm	2016-01-01 →	1
60	SP1589860	Footplate Titanium 264mm	2016-01-01 →	1
61	1547274	Footplate sleeve Alu	2014-01-01 →	1
62	1451717	Footplate sleeve Titanium	2013-07-01 →	1

Footrest angle adjustable



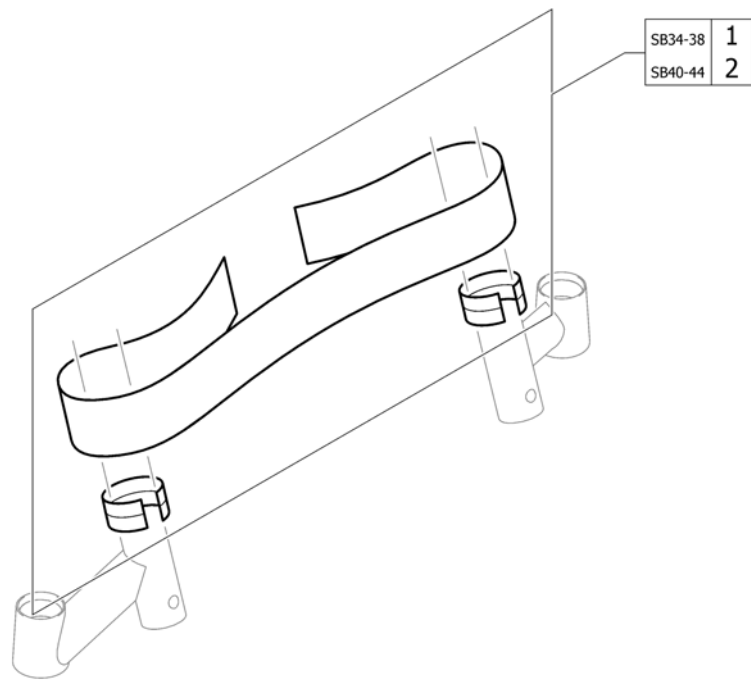
Pos.	Part number	Description	Valid from → until	Qty
1	1547352	Footrest angle adjustable complete SB34 to aluminium frames		1
2	1547353	Footrest angle adjustable complete SB36 to aluminium frames		1
3	1547354	Footrest angle adjustable complete SB38 to aluminium frames		1
4	1547355	Footrest angle adjustable complete SB40 to aluminium frames		1
5	1547356	Footrest angle adjustable complete SB42 to aluminium frames		1
6	1547357	Footrest angle adjustable complete SB44 to aluminium frames	2013-07-01 →	1
7	1547369	footplate with clamping part SB34		1
8	1547370	footplate with clamping part SB36		1
9	1547371	footplate with clamping part SB38		1
10	1547372	footplate with clamping part SB40		1
11	1547373	footplate with clamping part SB42		1
12	1547374	footplate with clamping part SB44	2013-07-01 →	1
13	1547368	Telescopic tube kit to footrest angle adjustable to aluminium frames		1
14	1547274	Footplate sleeve Alu		1

Footrest angle adjustable for adducted frame

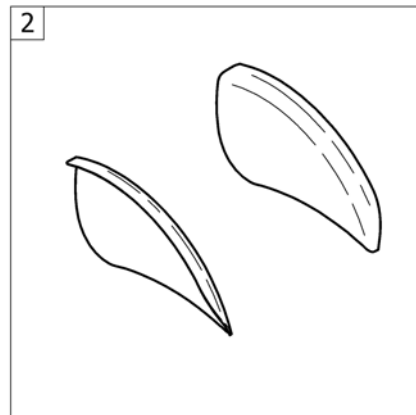
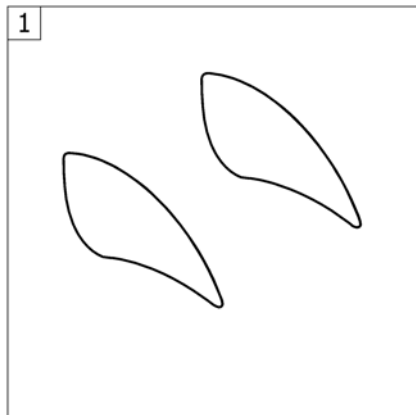


Pos.	Part number	Description	Valid from → until	Qty
1	1580444	Footrest angle adjustable complete SB34 for adducted frame		1
2	1580445	Footrest angle adjustable complete SB36 for adducted frame		1
3	1580446	Footrest angle adjustable complete SB38 for adducted frame		1
4	1580447	Footrest angle adjustable complete SB40 for adducted frame		1
5	1580448	Footrest angle adjustable complete SB42 for adducted frame		1
6	1580449	Footrest angle adjustable complete SB44 for adducted frame		1
7	1547369	footplate with clamping part SB34		1
8	1547370	footplate with clamping part SB36		1
9	1547371	footplate with clamping part SB38		1
10	1547372	footplate with clamping part SB40		1
11	1547373	footplate with clamping part SB42		1
12	1547374	footplate with clamping part SB44		1
13	1547385	Telescopic tube kit to footrest angle adjustable to adducted frame		1
14	1547274	Footplate sleeve Alu		1

Calf strap

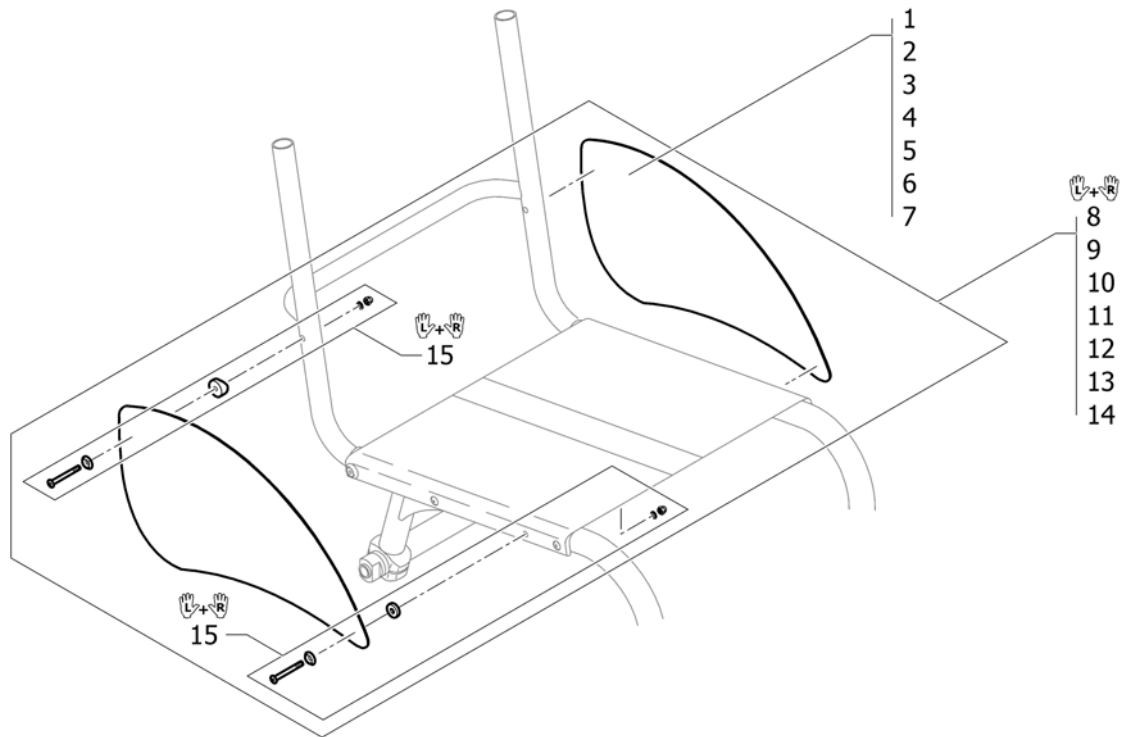


Pos.	Part number	Description	Valid from → until	Qty
1	1529338	Calf strap medium complete		1
2	1529339	Calf strap long complete		1



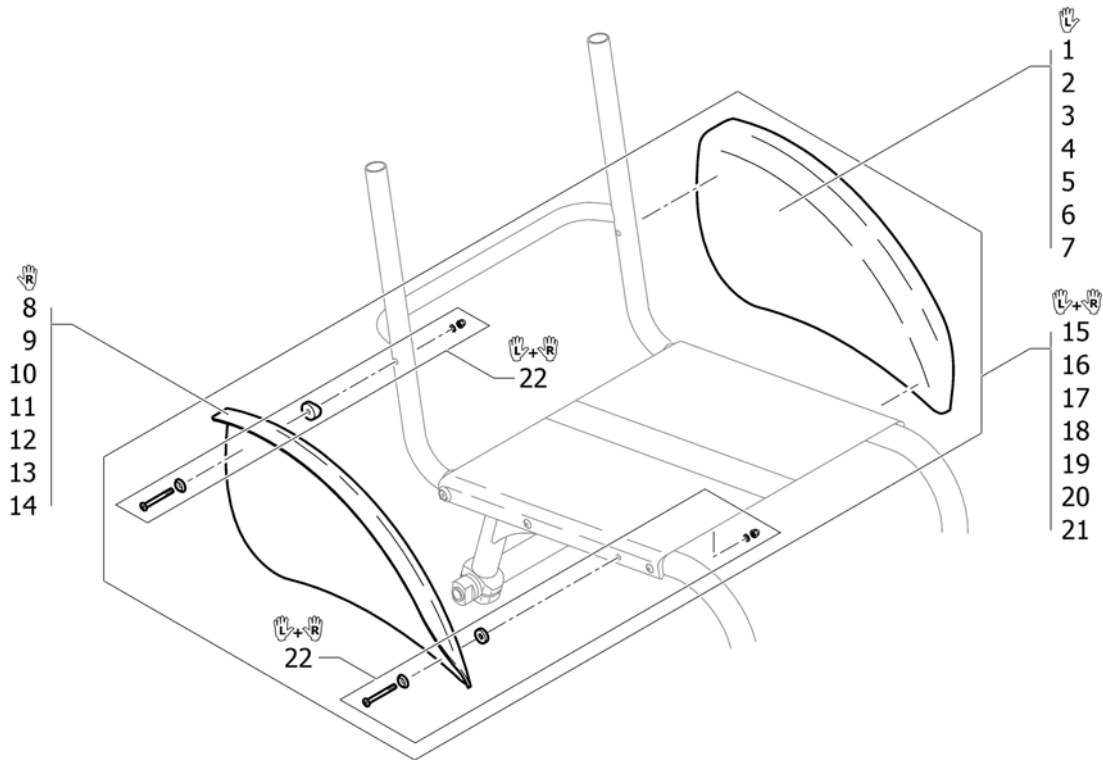
Pos.	Part number	Description	Valid from → until	Qty
1	-	Clothes-guards		1
2	-	Mudguards		1

Clothes-guards



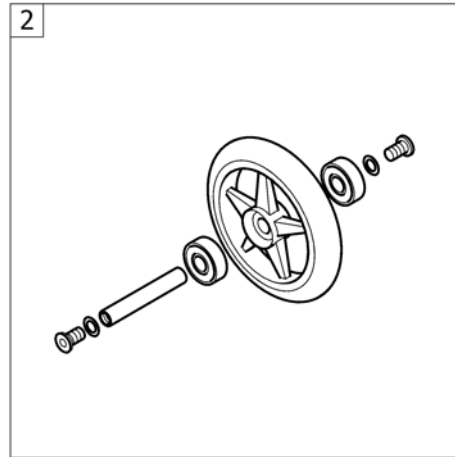
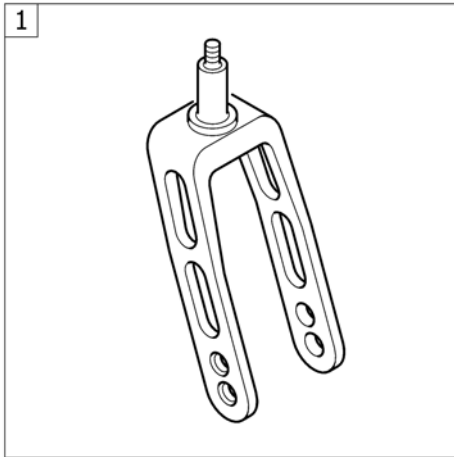
Pos.	Part number	Description	Valid from → until	Qty
1	1528587	Clothes-guard Carbon, size 1 (smallest)		2
2	1528588	Clothes-guard Carbon, size 2		2
3	1528589	Clothes-guard Carbon, size 3		2
4	1528590	Clothes-guard Carbon, size 4		2
5	1528591	Clothes-guard Carbon, size 5		2
6	1528592	Clothes-guard Carbon, size 6		2
7	1528593	Clothes-guard Carbon, size 7 (largest)		2
8	1528594	Clothes-guard Carbon, size 1 (smallest) with screws kit, pair		1
9	1528595	Clothes-guard Carbon, size 2 with screws kit, pair		1
10	1528596	Clothes-guard Carbon, size 3 with screws kit, pair		1
11	1528597	Clothes-guard Carbon, size 4 with screws kit, pair		1
12	1528598	Clothes-guard Carbon, size 5 with screws kit, pair		1
13	1528599	Clothes-guard Carbon, size 6 with screws kit, pair		1
14	1528600	Clothes-guard Carbon, size 7 (largest) with screws kit, pair		1
15	1528601	Fixation kit clothes-guard		1

Mudguards



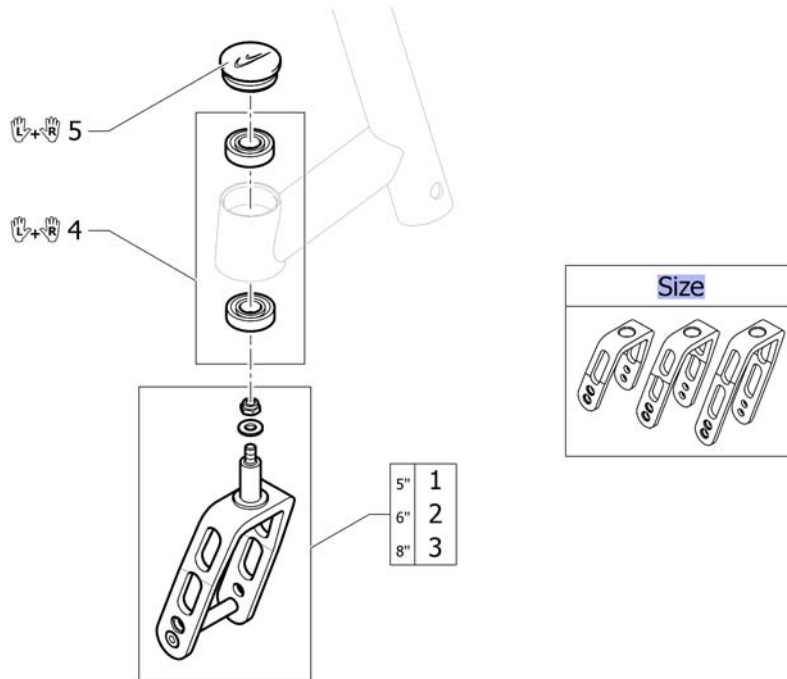
Pos.	Part number	Description	Valid from → until	Qty
1	1528602	Mudguard Carbon left, size 1 (smallest)		1
2	1528603	Mudguard Carbon left, size 2		1
3	1528604	Mudguard Carbon left, size 3		1
4	1528605	Mudguard Carbon left, size 4		1
5	1528606	Mudguard Carbon left, size 5		1
6	1528607	Mudguard Carbon left, size 6		1
7	1528608	Mudguard Carbon left, size 7 (largest)		1
8	1528609	Mudguard Carbon right, size 1 (smallest)		1
9	1528610	Mudguard Carbon right, size 2		1
10	1528611	Mudguard Carbon right, size 3		1
11	1528612	Mudguard Carbon right, size 4		1
12	1528613	Mudguard Carbon right, size 5		1
13	1528614	Mudguard Carbon right, size 6		1
14	1528615	Mudguard Carbon right, size 7 (largest)		1
15	1528616	Mudguards Carbon, size 1 (smallest) with screws kit, pair		1
16	1528617	Mudguards Carbon, size 2 with screws kit, pair		1
17	1528618	Mudguards Carbon, size 3 with screws kit, pair		1
18	1528619	Mudguards Carbon, size 4 with screws kit, pair		1
19	1528620	Mudguards Carbon, size 5 with screws kit, pair		1
20	1528621	Mudguards Carbon, size 6 with screws kit, pair		1
21	1528622	Mudguards Carbon, size 7 (largest) with screws kit, pair		1
22	1528646	Fixation kit for mudguards		1

FRONT WHEELS



Pos.	Part number	Description	Valid from → until	Qty
1	-	Front forks		1
2	-	Front wheels		1

Front forks

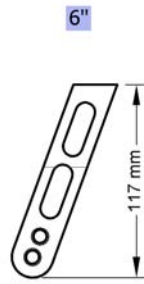


Pos.	Part number	Description	Valid from → until	Qty
Size	-	Configuration table for front fork size		0
1	1432004-0004	Front fork 5" with bolt, black anodized		2
1	1432004-0001	Front fork 5" with bolt, chrome		2
1	1432004-0182	Front fork 5" with bolt, champagne	2013-01-01 →	2
1	1432004-0183	Front fork 5" with bolt, olive	2013-01-01 →	2
1	1432004-0400	Front fork 5" with bolt, techno-anthrazit		2
1	1432004-0401	Front fork 5" with bolt, lemon	2009-02-01 → 2012-12-31	2
1	1432004-0402	Front fork 5" with bolt, apricot	2011-07-01 → 2012-12-31	2
1	1432004-0404	Front fork 5" with bolt, b-blue		2
1	1432004-0440	Front fork 5" with bolt, comet red		2
1	1432004-0441	Front fork 5" with bolt, arctic blue		2
1	1432004-0444	Front fork 5" with bolt, copper glaze		2
2	1432005-0004	Front fork 6" with bolt, black anodized		2
2	1432005-0001	Front fork 6" with bolt, chrome		2
2	1432005-0182	Front fork 6" with bolt, champagne	2013-01-01 →	2
2	1432005-0183	Front fork 6" with bolt, olive	2013-01-01 →	2
2	1432005-0400	Front fork 6" with bolt, techno-anthrazit		2
2	1432005-0401	Front fork 6" with bolt, lemon	2009-02-01 → 2012-12-31	2
2	1432005-0402	Front fork 6" with bolt, apricot	2011-07-01 → 2012-12-31	2
2	1432005-0404	Front fork 6" with bolt, b-blue		2
2	1432005-0440	Front fork 6" with bolt, comet red		2
2	1432005-0441	Front fork 6" with bolt, arctic blue		2
2	1432005-0444	Front fork 6" with bolt, copper glaze		2
3	1432006-0004	Front fork 8" with bolt, black anodized		2
3	1432006-0001	Front fork 8" with bolt, chrome		2
3	1432006-0182	Front fork 8" with bolt, champagne	2013-01-01 →	2
3	1432006-0183	Front fork 8" with bolt, olive	2013-01-01 →	2
3	1432006-0400	Front fork 8" with bolt, techno-anthrazit		2

Front forks

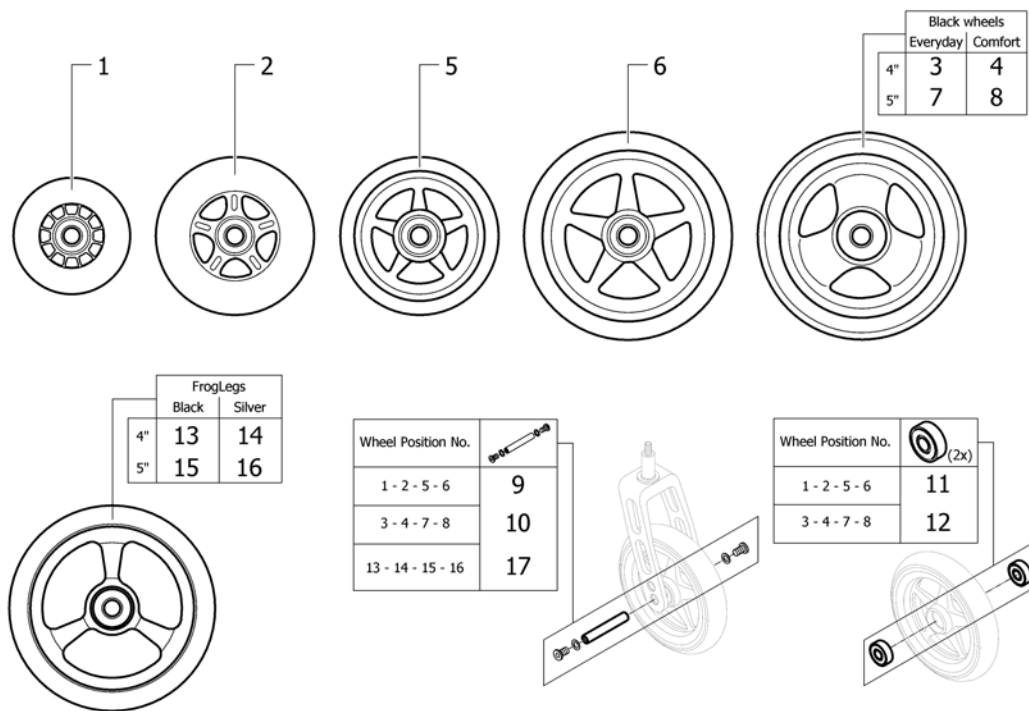
Pos.	Part number	Description	Valid from → until	Qty
3	1432006-0401	Front fork 8" with bolt, lemon	2009-02-01 → 2012-12-31	2
3	1432006-0402	Front fork 8" with bolt, apricot	2011-07-01 → 2012-12-31	2
3	1432006-0404	Front fork 8" with bolt, b-blue		2
3	1432006-0440	Front fork 8" with bolt, comet red		2
3	1432006-0441	Front fork 8" with bolt, arctic blue		2
3	1432006-0444	Front fork 8" with bolt, copper glaze		2
4	1451718	Bearing kit		1
5	1487961-0004	Bearing block cap pair, black anodized		1
5	1487961-0001	Bearing block cap pair, chrome		1
5	1487961-0182	Bearing block cap pair, champagne	2013-01-01 →	1
5	1487961-0183	Bearing block cap pair, olive	2013-01-01 →	1
5	1487961-0400	Bearing block cap pair, techno-anthrazit		1
5	1487961-0401	Bearing block cap pair, lemon	2009-02-01 → 2012-12-31	1
5	1487961-0402	Bearing block cap pair, apricot	2011-07-01 → 2012-12-31	1
5	1487961-0404	Bearing block cap pair, b-blue		1
5	1487961-0440	Bearing block cap pair, comet red		1
5	1487961-0441	Bearing block cap pair, arctic blue		1
5	1487961-0444	Bearing block cap, pair, copper glaze		1

Configuration table for front fork size



Pos.	Part number	Description	Valid from → until	Qty
5"	-	Front fork, Size 5"		0
6"	-	Front fork, Size 6"		0
8"	-	Front fork, Size 8"		0

Front wheels

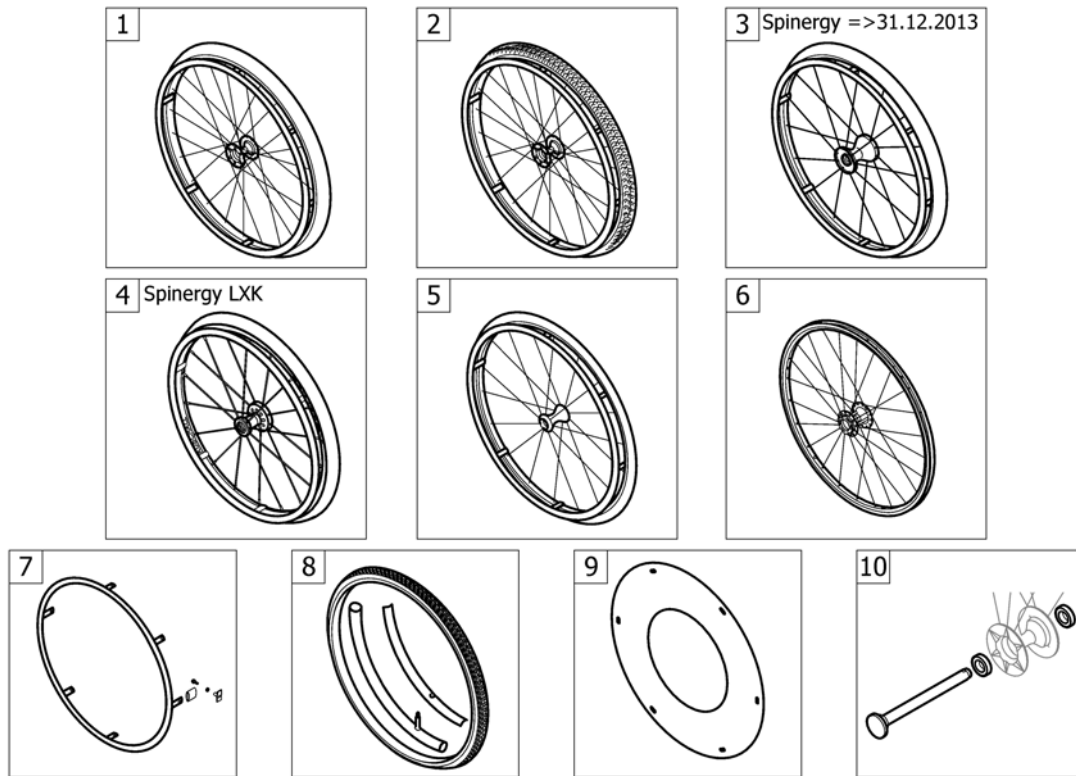


Pos.	Part number	Description	Valid from → until	Qty
1	1513180	3" Sports wheel, transparent		2
2	1513181	4" Skater wheel, transparent		2
3	SP1638070	4" Everyday wheel, black PU, pair <i>Replaces 1562626</i>	2017-06-26 →	1
4	SP1638072	4" Comfort wheel, black PU, pair <i>Replaces 1561139</i>	2017-01-01 →	1
5	1513183-0004	4" Starec wheel, black anodized <i>Replaces 1513183-0408</i>		2
5	1513183-0001	4" Starec wheel, chrome	2011-07-01 →	2
5	1513183-0182	4" Starec wheel, champagne	2013-01-01 →	2
5	1513183-0183	4" Starec wheel, olive	2013-01-01 →	2
5	1513183-0400	4" Starec wheel, techno-anthrazit		2
5	1513183-0401	4" Starec wheel, lemon	2009-02-01 → 2012-12-31	2
5	1513183-0402	4" Starec wheel, apricot	2011-07-01 → 2012-12-31	2
5	1513183-0404	4" Starec wheel, b-blue		2
5	1513183-0440	4" Starec wheel, comet red		2
5	1513183-0444	4" Starec wheel, copper glaze		2
6	1513187-0004	5" Starec wheel, black anodized		2
6	1513187-0001	5" Starec wheel, chrome	2011-07-01 →	2
6	1513187-0182	5" Starec wheel, champagne	2013-01-01 →	2
6	1513187-0183	5" Starec wheel, olive	2013-01-01 →	2
6	1513187-0400	5" Starec wheel, techno-anthrazit		2
6	1513187-0401	5" Starec wheel, lemon	2009-02-01 → 2012-12-31	2
6	1513187-0402	5" Starec wheel, apricot	2011-07-01 → 2012-12-31	2
6	1513187-0404	5" Starec wheel, b-blue		2
6	1513187-0440	5" Starec wheel, comet red		2
6	1513187-0444	5" Starec wheel, copper glaze		2
7	SP1638071	5" Everyday wheel, black PU, pair <i>Replaces 1562627</i>	2017-05-01 →	1

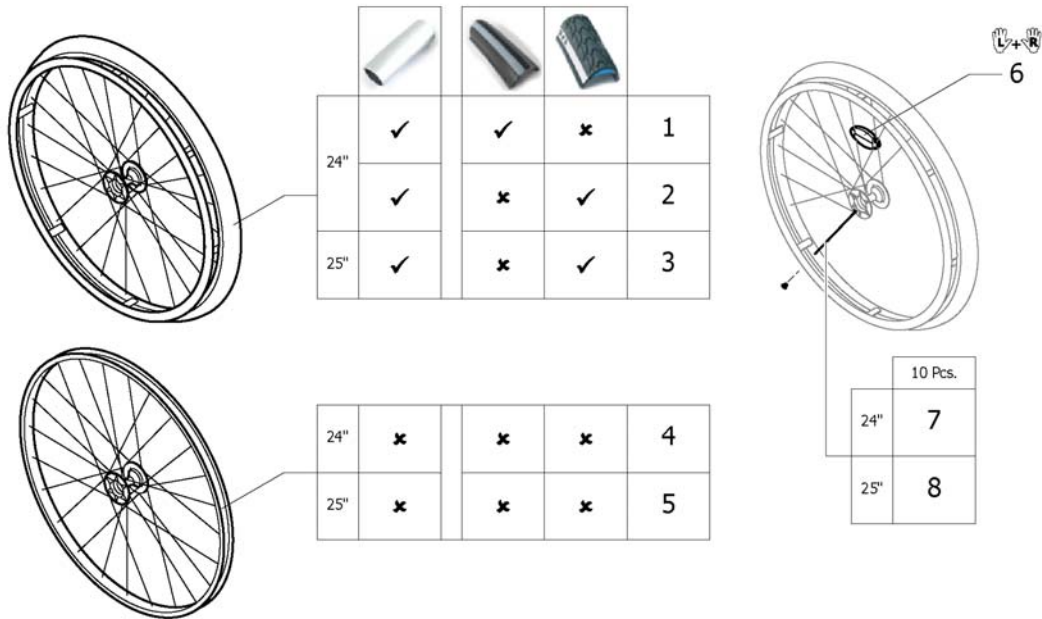
Front wheels

Pos.	Part number	Description	Valid from → until	Qty
8	SP1638073	5" Comfort wheel, black PU, pair <i>Replaces 1542640</i>	2017-01-01 →	1
9	1420972	Axle set complete 3" Sport / 4" and 5" Starec / 4" Skater wheel		2
10	1570108	Axle set without spacer		2
11	1570104	Ball bearing 608-2RS 8/22*7, pair		2
12	1570105	Ball bearing 6000-2RS, pair		2
13	SP1638082	4" x1.42 (36mm) FrogLegs EPIC Aluminum Wide Softroll Caster - Black hub		2
14	SP1638083	4" x1.42 (36mm) FrogLegs EPIC Aluminum Wide Softroll Caster - Silver hub		2
15	SP1638084	5" x1.42 (36mm) FrogLegs EPIC Aluminum Wide Softroll Caster - Black hub		2
16	SP1638085	5" x1.42 (36mm) FrogLegs EPIC Aluminum Wide Softroll Caster - Silver hub		2
17	SP1638076	Axle set complete 4" and 5" FrogLegs wheels		2

REAR WHEELS



Pos.	Part number	Description	Valid from → until	Qty
1	-	High Performance wheel		1
2	-	Mountainbike wheel	2009-02-01 → 2013-12-31	1
3	-	Spinerger wheel	2009-02-01 → 2013-12-31	1
4	-	Spinerger LXX wheel	2014-01-01 →	1
5	-	Ultra-light fibre wheel	2011-07-01 → 2013-12-31	1
6	-	Hub brake wheel	2013-07-01 →	1
7	-	Handrim		1
8	-	Tyre		1
9	-	Spokes guard		1
10	-	Quick release axle and bearing		1



Pos.	Part number	Description	Valid from → until	Qty
1	SP1601754-0004	Rear wheel 24" High Performance black anodized, handrim, Rightrun black/ grey <i>Replaces 1420958-0004</i>	2010-01-01 →	2
1	SP1601754-0001	Rear wheel 24" High Performance chrome, handrim, Rightrun black/grey <i>Replaces 1420958-0001</i>	2011-07-01 →	2
1	SP1601754-0182	Rear wheel 24" High Performance champagne, handrim, Rightrun black/grey <i>Replaces 1420958-0182</i>	2013-01-01 →	2
1	SP1601754-0183	Rear wheel 24" High Performance olive, handrim, Rightrun black/grey <i>Replaces 1420958-0183</i>	2013-01-01 →	2
1	SP1601754-0400	Rear wheel 24" High Performance techno-anthracite, handrim, Rightrun black/ grey <i>Replaces 1420958-0400</i>		2
1	SP1601754-0401	Rear wheel 24" High Performance lemon, handrim, Rightrun black/grey <i>Replaces 1420958-0401</i>	2009-02-01 → 2012-12-31	2
1	SP1601754-0402	Rear wheel 24" High Performance apricot, handrim, Rightrun black/grey <i>Replaces 1420958-0402</i>	2011-07-01 → 2012-12-31	2
1	SP1601754-0404	Rear wheel 24" High Performance b-blue, handrim, Rightrun black/grey <i>Replaces 1420958-0404</i>		2
1	SP1601754-0440	Rear wheel 24" High Performance comet red, handrim, Rightrun black/grey <i>Replaces 1420958-0440</i>		2
1	SP1601754-0441	Rear wheel 24" High Performance arctic blue, handrim, Rightrun black/grey <i>Replaces 1420958-0441</i>		2
1	SP1601754-0444	Rear wheel 24" High Performance copper glaze, handrim, Rightrun black/grey <i>Replaces 1420958-0444</i>		2
2	1527046-0004	Wheel 24", High Performance, black, handrim alu, tyre Marathon Evolution	2010-01-01 →	2
2	1527046-0001	Wheel 24", High Performance, chrome, handrim alu, tyre Marathon Evolution	2011-07-01 →	2
2	1527046-0182	Wheel 24", High Performance, champagne, handrim alu, tyre Marathon Evolution	2013-01-01 →	2
2	1527046-0183	Wheel 24", High Performance, olive, handrim alu, tyre Marathon Evolution	2013-01-01 →	2

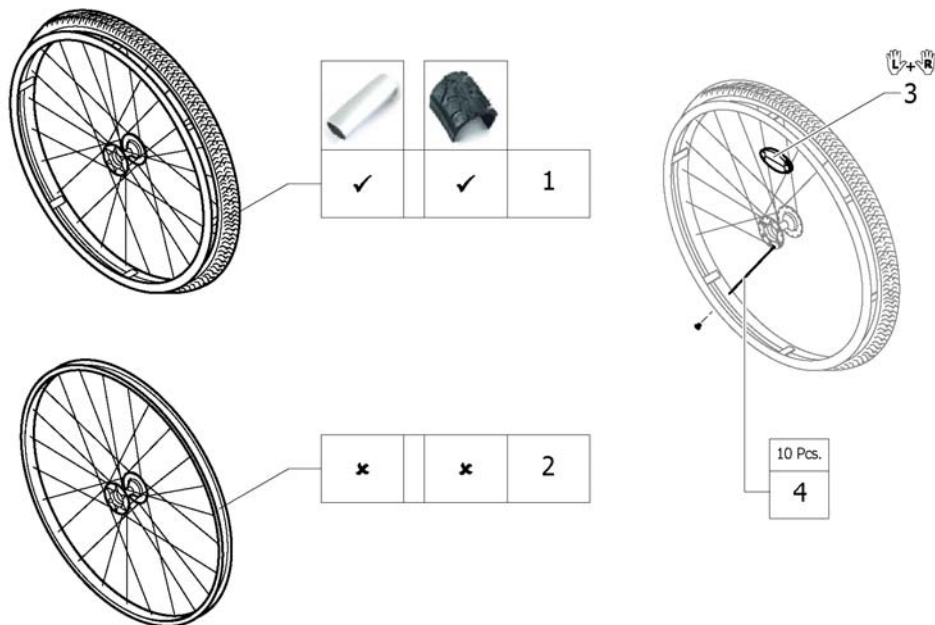
High Performance wheel

Pos.	Part number	Description	Valid from → until	Qty
2	1527046-0400	Wheel 24", High Performance, techno-anthracite, handrim alu, tyre Marathon Evolution		2
2	1527046-0401	Wheel 24", High Performance, lemon, handrim alu, tyre Marathon Evolution	2009-02-01 → 2012-12-31	2
2	1527046-0402	Wheel 24", High Performance, apricot, handrim alu, tyre Marathon Evolution	2011-07-01 → 2012-12-31	2
2	1527046-0404	Wheel 24", High Performance, b-blue, handrim alu, tyre Marathon Evolution		2
2	1527046-0440	Wheel 24", High Performance, comet red, handrim alu, tyre Marathon Evolution		2
2	1527046-0441	Wheel 24", High Performance, arctic blue, handrim alu, tyre Marathon Evolution		2
2	1527046-0444	Wheel 24", High Performance, copper glaze, handrim alu, tyre Marathon Evolution		2
3	1445479-0004	Wheel 25", High Performance, black, handrim alu, tyre Marathon Evolution	2010-01-01 →	2
3	1445479-0001	Wheel 25", High Performance, chrome, handrim alu, tyre Marathon Evolution	2011-07-01 →	2
3	1445479-0182	Wheel 25", High Performance, champagne, handrim alu, tyre Marathon Evolution	2013-01-01 →	2
3	1445479-0183	Wheel 25", High Performance, olive, handrim alu, tyre Marathon Evolution	2013-01-01 →	2
3	1445479-0400	Wheel 25", High Performance, techno-anthracite, handrim alu, tyre Marathon Evolution		2
3	1445479-0401	Wheel 25", High Performance, lemon, handrim alu, tyre Marathon Evolution	2009-02-01 → 2012-12-31	2
3	1445479-0402	Wheel 25", High Performance, apricot, handrim alu, tyre Marathon Evolution	2011-07-01 → 2012-12-31	2
3	1445479-0404	Wheel 25", High Performance, b-blue, handrim alu, tyre Marathon Evolution		2
3	1445479-0440	Wheel 25", High Performance, comet red, handrim alu, tyre Marathon Evolution		2
3	1445479-0441	Wheel 25", High Performance, arctic blue, handrim alu, tyre Marathon Evolution		2
3	1445479-0444	Wheel 25", High Performance, copper glaze, handrim alu, tyre Marathon Evolution		2
4	1517723-0004	Wheel 24", High Performance, black, without handrim, without tyre	2010-01-01 →	2
4	1517723-0001	Wheel 24", High Performance, chrome, without handrim, without tyre	2011-07-01 →	2
4	1517723-0182	Wheel 24", High Performance, champagne, without handrim, without tyre	2013-01-01 →	2
4	1517723-0183	Wheel 24", High Performance, olive, without handrim, without tyre	2013-01-01 →	2
4	1517723-0400	Wheel 24", High Performance, techno-anthracite, without handrim, without tyre		2
4	1517723-0401	Wheel 24", High Performance, lemon, without handrim, without tyre	2009-02-01 → 2012-12-31	2
4	1517723-0402	Wheel 24", High Performance, apricot, without handrim, without tyre	2011-07-01 → 2012-12-31	2
4	1517723-0404	Wheel 24", High Performance, b-blue, without handrim, without tyre		2
4	1517723-0440	Wheel 24", High Performance, comet red, without handrim, without tyre		2
4	1517723-0441	Wheel 24", High Performance, arctic blue, without handrim, without tyre		2
4	1517723-0444	Wheel 24", High Performance, copper glaze, without handrim, without tyre		2
5	1562937-0004	Wheel 25", High Performance, black, without handrim, without tyre	2010-01-01 →	2
5	1562937-0001	Wheel 25", High Performance, chrome, without handrim, without tyre	2011-07-01 →	2
5	1562937-0182	Wheel 25", High Performance, champagne, without handrim, without tyre	2013-01-01 →	2
5	1562937-0183	Wheel 25", High Performance, olive, without handrim, without tyre	2013-01-01 →	2
5	1562937-0400	Wheel 25", High Performance, techno-anthrac., without handrim, without tyre		2
5	1562937-0401	Wheel 25", High Performance, lemon, without handrim, without tyre	2009-02-01 → 2012-12-31	2
5	1562937-0402	Wheel 25", High Performance, apricot, without handrim, without tyre	2011-07-01 → 2012-12-31	2
5	1562937-0404	Wheel 25", High Performance, b-blue, without handrim, without tyre		2
5	1562937-0440	Wheel 25", High Performance, comet red, without handrim, without tyre		2

High Performance wheel

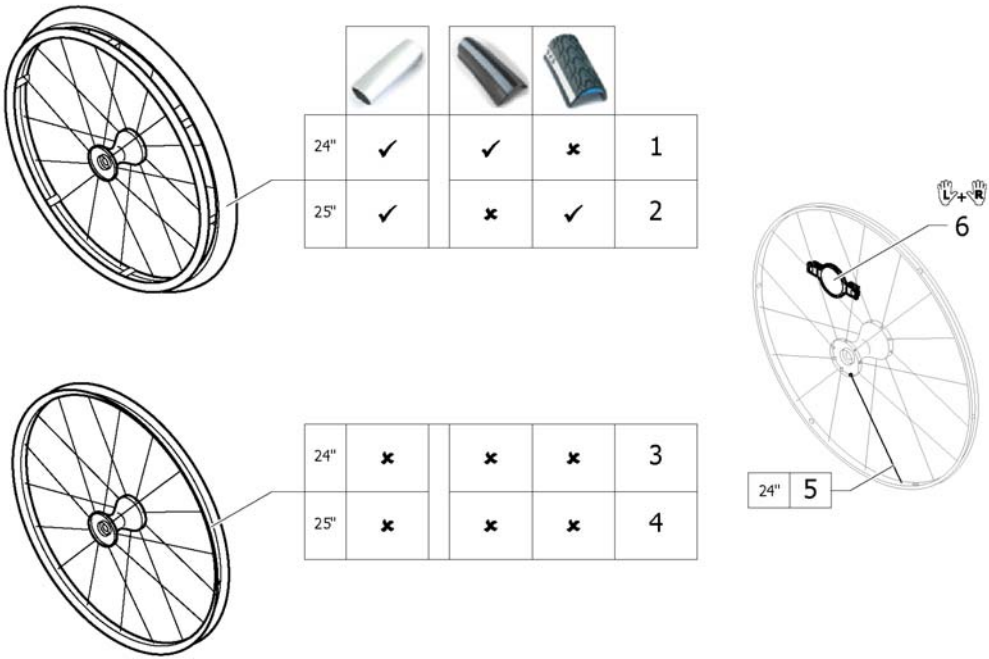
Pos.	Part number	Description	Valid from → until	Qty
5	1562937-0441	Wheel 25", High Performance, arctic blue, without handrim, without tyre		2
5	1562937-0444	Wheel 25", High Performance, copper glaze, without handrim, without tyre		2
6	1571073	Spokereflection, pair <i>Replaces 220.1033</i>		1
7	1578867	Spokes kit for High Performance wheel 24", 10 Pcs.		1
8	1578868	Spokes kit for High Performance wheel 25", 10 Pcs.		1

Mountainbike wheel



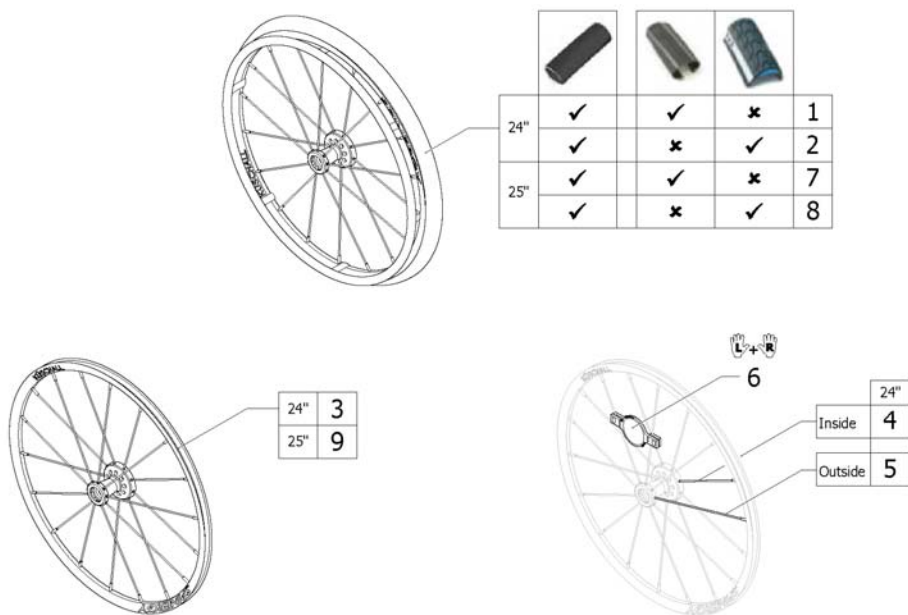
Pos.	Part number	Description	Valid from → until	Qty
1	1517875	Rear wheel 24", Mountain Bike, handrim alu, tyre MTB	2009-02-01 → 2013-12-31	2
2	1529327	Rear wheel Mountain Bike 24", without handrim, without tyre <i>Replaces 1439420</i>	2009-02-01 → 2013-12-31	2
3	1571073	Spokereflection, pair <i>Replaces 220.1033</i>	2009-02-01 → 2013-12-31	1
4	1579085	Spokes kit for Mountain Bike wheel, 10 Pcs.	2009-02-01 → 2013-12-31	1

Spinergy wheel



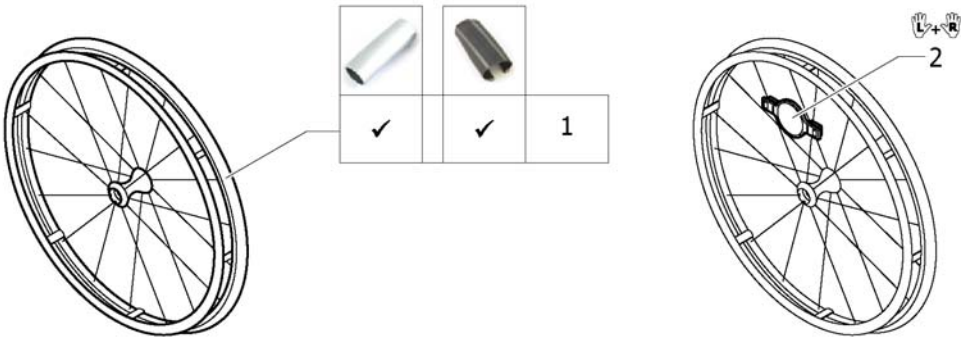
Pos.	Part number	Description	Valid from → until	Qty
1	SP1601755	Rear wheel 24" Spinergy, handrim, Rightrun black/grey <i>Replaces 1485805</i>	2009-02-01 → 2013-12-31	2
2	1525127	Rear wheel 25", Spinergy, handrim Alu, tyre Mararthon Evolution	2009-02-01 → 2013-12-31	2
3	1570426	Rear wheel 24", Spinergy, without handrim, without tyre	2009-02-01 → 2013-12-31	2
4	1525128	Rear wheel 25", Spinergy, without handrim, without tyre	2009-02-01 → 2013-12-31	2
5	1579092	Spoke for Spinergy wheel 24", 1 Pcs.	2009-02-01 → 2013-12-31	36
6	1571088	Spoke reflection for Spinergy wheel, pair <i>Replaces 1451931</i>	2009-02-01 → 2013-12-31	1

Spinergy LXX wheel



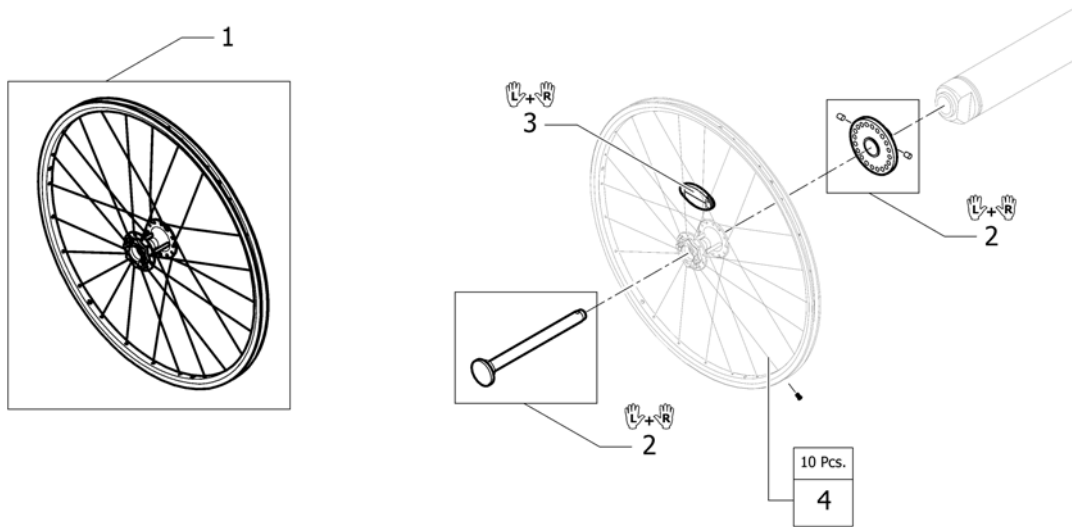
Pos.	Part number	Description	Valid from → until	Qty
1	1579101	Rear wheel 24", Spinergy LXX, handrim aluminium black, tyre Schwalbe One		2
2	1579105	Rear wheel 24", Spinergy LXX, handrim aluminium black, tyre Marathon Evolution		2
3	1579102	Rear wheel 24", Spinergy LXX, without handrim, without tyre		2
4	1579103	Spoke inside for Spinergy LXX wheel 24", 236mm., 1 Pcs.		9
5	1579104	Spoke outside for Spinergy LXX wheel 24", 249mm., 1 Pcs.		9
6	1571088	Spoke reflection for Spinergy wheel, pair		1
7	SP1638077	Rear wheel 25" Spinergy LXX, handrim aluminium black, tyre Schwalbe One		2
8	SP1638078	Rear wheel 25" Spinergy LXX, handrim aluminium black, tyre Marathon Evolution		2
9	SP1638079	Rear wheel 25" Spinergy LXX, without handrim, without tyre		2

Ultra-light fibre wheel



Pos.	Part number	Description	Valid from → until	Qty
1	1578804	Ultra-light fibre wheel with tyre Schwalbe One <i>Replaces 1547628</i>	2013-11-20 → 2013-12-31	2
2	1571088	Spoke reflection for Spinergy wheel, pair <i>Replaces 1451931</i>		1

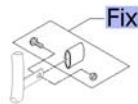
Hub brake wheel



Pos.	Part number	Description	Valid from → until	Qty
1	1570645	Hub brake wheel 24" without handrim, without tyre		2
2	1570651	Mounting kit with Quickrelease for Hub brake, pair		1
3	1571073	Spokereflection, pair <i>Replaces 220.1033</i>		1
4	1579088	Spokes kit for Hub brake wheel 24", 10 Pcs.		1

Handrim

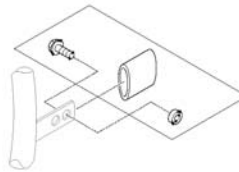
		22"	24"	25"	22"	24"	25"	24"	24"	22"	24"	24"	25"	24"	24"
High Performance		-	2	3	-	5	6	7	8	-	10	11	12	13	14
Mountainbike		1	-	-	4	-	-	-	-	9	-	-	-	-	-
Spinerger		-	2	3	-	5	6	7	8	-	10	11	12	13	14
Spinerger LXX		-	2	-	-	5	-	7	8	-	10	11	-	13	14
Ultra Light Fibre		-	2	-	-	5	-	7	8	-	10	11	-	13	14
Hub brake wheel		-	2	-	-	5	-	7	8	-	10	11	-	13	14



Pos.	Part number	Description	Valid from → until	Qty
Fix	-	Fixation handrim		2
1	1568713-0005	Handrim 22" Aluminium, distance 3cm	2009-02-01 → 2013-12-31	2
2	1568714-0005	Handrim 24" Aluminium, distance 3cm		2
3	1568730-0005	Handrim 25" Aluminium, distance 3cm		2
4	1568713-0411	Handrim 22" Aluminium, black, distance 3cm	2013-07-01 → 2013-12-31	2
5	1568714-0411	Handrim 24" Aluminium, black, distance 3cm	2013-07-01 →	2
6	1568730-0411	Handrim 25" Aluminium, black, distance 3cm	2013-07-01 →	2
7	1568716	Handrim 24" Titanium, distance 3cm		2
8	1568715	Handrim 24" steel polished, distance 3cm		2
9	1568701	Handrim 22" Super-Grip	2009-02-01 → 2013-12-31	2
		<i>Replaces 457.1045.429</i>		
10	1568703	Handrim 24" Super-Grip		2
		<i>Replaces 457.1017.429</i>		
11	1556916	Handrim 24" LT Surge		2
12	1556917	Handrim 25" LT Surge		2
13	SP1638080	Handrim 24" Carbolife Gekko		2
14	SP1638081	Handrim 24" Carbolife Curve		2

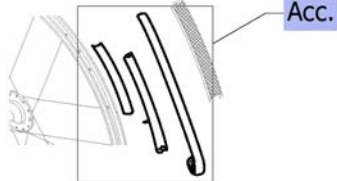
Fixation handrim

	Aluminium		Titanium		Steel		Supergrip		Surge		Gekko		Curve	
High Performance	1	1	1	1	1	1	1	1	2	1	1	1	1	1
Mountainbike	3	3	3	-	-	-	3	3	-	-	-	-	-	-
Spinerger	3	-	3	-	3	-	3	-	4	-	3	-	3	-
Spinerger LxK	1	-	1	-	1	-	1	-	2	-	1	-	1	-
Ultra Light Fibre	1	-	1	-	1	-	1	-	2	-	1	-	1	-
Hub brake wheel	1	1	1	1	1	1	1	1	2	1	1	1	1	1



Pos.	Part number	Description	Valid from → until	Qty
1	1496019	Fixation kit handrim for High Performance wheel, 3 cm		2
2	1497111	Fixation kit handrim for High Performance wheel, 4 cm with spokes guard		2
3	1496015	Fixation kit handrim for Mountain bike wheel, 3 cm		2
4	1496018	Fixation kit handrim for Mountain bike wheel, 4 cm with spokes guard		2

Tyre



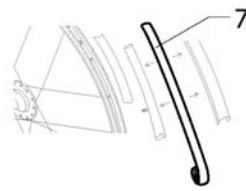
	24"		25"		24"		24"	
High Performance	1	7	2	8	3	9	5	-
Mountainbike	-	-	-	-	-	-	-	6
Spinerger	1	7	2	8	3	9	5	-
Spinerger LXX	1	7	2	8	3	9	5	-
Ultra Light Fibre	1	-	2	-	3	-	5	-
Hub brake wheel	1	-	2	-	3	-	5	-

Pos.	Part number	Description	Valid from → until	Qty
Acc.	-	Inner tube and rim protector		2
1	SP1590118	Tyre Rightrun black/grey 24" <i>Replaces 1570828</i>		2
2	1570838	Tyre 24" Marathon Evolution <i>Replaces 1438521</i>		2
3	1578802	Tyre 24" Schwalbe One <i>Replaces 1528649</i>	2013-11-20 →	2
5	1562581	Tyre 24" Rightrun blue	2013-07-01 →	2
6	1570830	Tyre Mountain bike, 24" <i>Replaces 1420887</i>	2009-02-01 → 2013-12-31	2
7	SP1590412	Tyre Rightrun black/grey 25" <i>Replaces 1570833</i>		2
8	1570841	Tyre 25" Marathon Evolution <i>Replaces 1493769</i>		2
9	1578803	Tyre 25" Schwalbe One <i>Replaces 1528650</i>	2013-11-20 →	2

Inner tube and rim protector

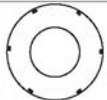










		24"		25"		24"		24"	
High Performance	A	1	4	1	4	1	4	1	-
	B	6	6	6	6	6	6	6	-
Mountainbike	A	-	-	-	-	-	-	-	3
	B	-	-	-	-	-	-	-	5
Spinerger	A	1	4	1	4	1	4	1	-
	B	6	6	6	6	6	6	6	-
Spinerger LXX	A	1	4	1	-	1	-	1	-
	B	6	6	6	-	6	-	6	-
Ultra Light Fibre	A	-	-	-	-	2	-	-	-
	B	-	-	-	-	6	-	-	-
Hub brake wheel	A	1	-	1	-	1	-	1	-
	B	6	-	6	-	6	-	6	-

Inner Tube (A) Rim protector (B)




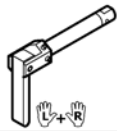






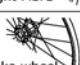
Pos.	Part number	Description	Valid from → until	Qty
1	1570849	Inner Tube 24" x 1"		2
2	1550284	Inner Tube 24" for Ultra-light fibre wheel	2009-02-01 → 2013-12-31	2
3	1570852	Inner tube for Mountain bike	2009-02-01 → 2013-12-31	2
4	1570851	Inner tube 26" for High-Performance wheel		2
5	1570844	Rim protection 22"	2009-02-01 → 2013-12-31	2
6	1495962	Rim Protection for High Performance / Spinerger wheel		2
7	1571072	Rear wheel inset anti-flat for 20,22,24,26" tyre		2

Spokes guard

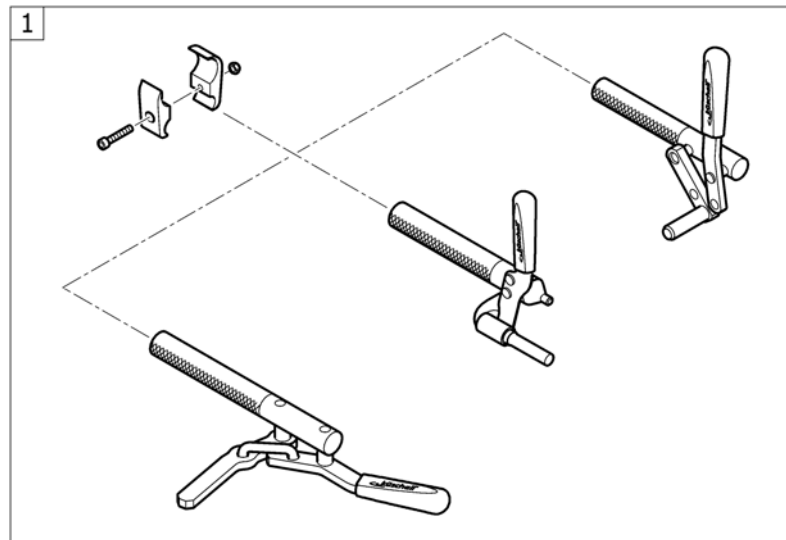
						
	22"	24"	24"	24"	24"	
High Performance 	-	2	3	4	5	6
Mountainbike 	1	-	-	-	-	-
Spinergy 	-	2	3	4	5	6
Spinergy LXX 	-	-	-	-	-	-
Ultra Light Fibre 	-	-	-	-	-	-
Hub brake wheel 	-	2	3	4	5	6

Pos.	Part number	Description	Valid from → until	Qty
1	1564453	Spokes guard Transparent 22" <i>Replaces 736.1005</i>	2009-02-01 → 2013-12-31	2
2	1564457	Spokes guard Transparent 24" <i>Replaces 736.1004</i>		2
3	1564456	Spokes guard Küschall, black 24" <i>Replaces 736.1002</i>		2
4	1564459	Spokes guard Carbon 24" <i>Replaces 736.1014</i>	2009-02-01 → 2013-12-31	2
5	1564462	Spokes guard Switzerland 24" <i>Replaces 1497108</i>	2009-02-01 → 2013-06-30	2
6	1564463	Spokes guard Pirates 24" <i>Replaces 1497109</i>	2009-02-01 → 2012-12-31	2

Quick release axle and bearing

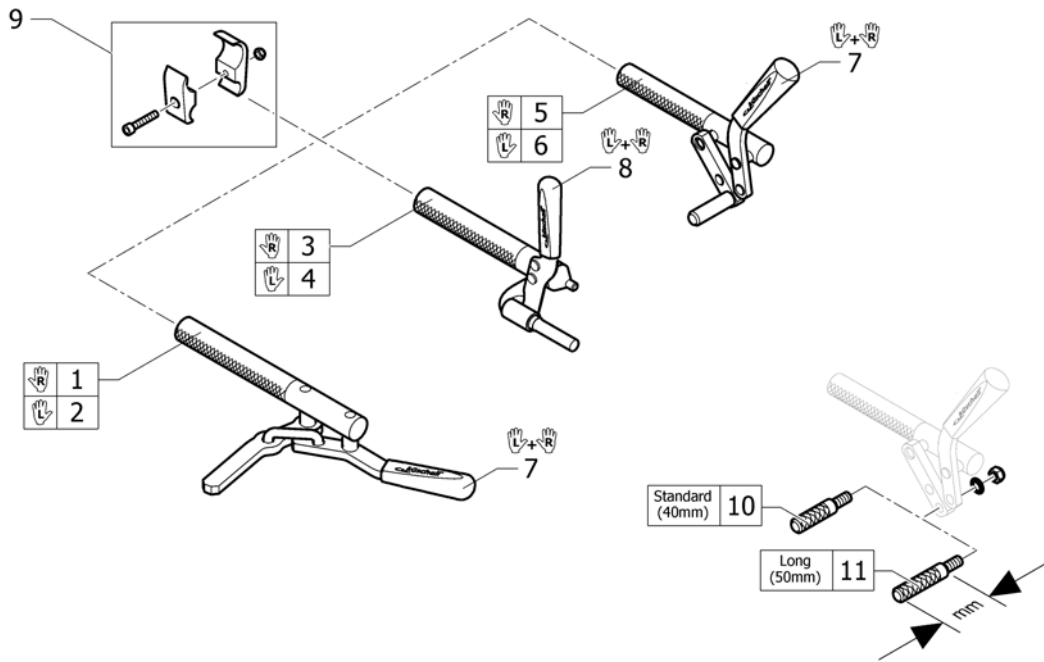
			
	L+R	L+R	L+R
 High Performance	1	4	6
 Mountainbike	1	4	6
 Spinergy	2	5	6
 Spinergy LXX	2	-	6
 Ultra Light Fibre	3	4	6
 Hub brake wheel	2	5	6

Pos.	Part number	Description	Valid from → until	Qty
1	1509137-0001	Quick release axles long with cap, pair, chrome		1
1	1509137-0004	Quick release axles long with cap, pair, black		1
1	1509137-0182	Quick release axles long with cap, pair, champagne		1
1	1509137-0183	Quick release axles long with cap, pair, olive		1
1	1509137-0400	Quick release axles long with cap, pair, tecno anthracite		1
1	1509137-0401	Quick release axles long with cap, pair, lemon		1
1	1509137-0402	Quick release axles long with cap, pair, apricot		1
1	1509137-0404	Quick release axles long with cap, pair, b-blue		1
1	1509137-0407	Quick release axles long with cap, pair, colourless		1
1	1509137-0440	Quick release axles long with cap, pair, comet red		1
1	1509137-0441	Quick release axles long with cap, pair, arctic blue		1
1	1509137-0444	Quick release axles long with cap, pair, copper glaze		1
2	1507627	Quickrelease axle long with cap for Spinergy wheel, pair		1
3	1547629	Quick release axles long with cap, pair, polished		1
4	1493755	Tetra clip with quick release axle, pair, long	2014-01-01 →	1
5	1512029	Tetra clip with quick release axle, long, for Spinergy wheel, pair	2014-01-01 →	1
6	1571069	Bearing R8-2RS 1/2"/1.1/8"x5/16", pair <i>Replaces 5719103</i>		1



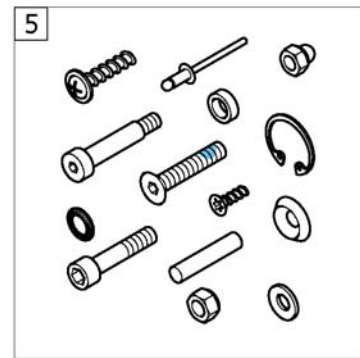
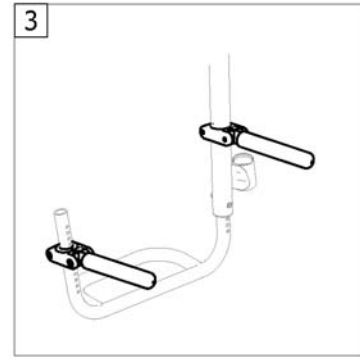
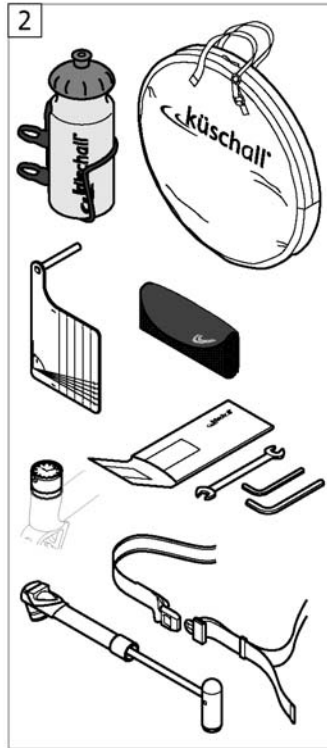
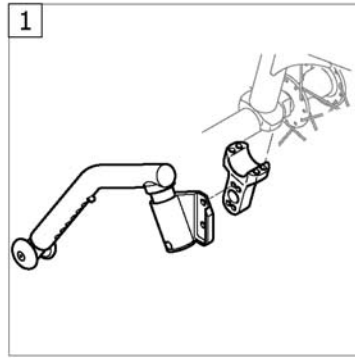
Pos.	Part number	Description	Valid from → until	Qty
1	-	Brakes		1

Brakes



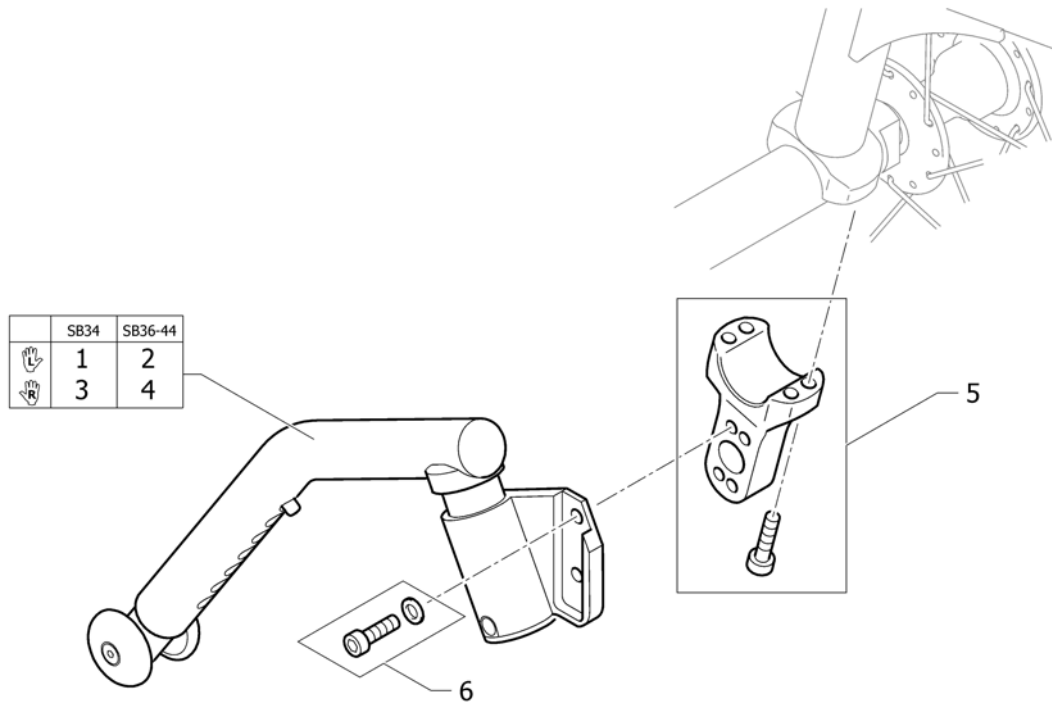
Pos.	Part number	Description	Valid from → until	Qty
1	SP1512134	Active brake right		1
2	SP1512133	Active brake left		1
3	SP1512132	Performance brake right		1
4	SP1512131	Performance brake left		1
5	1512126	Brake, bent lever, right		1
6	1512125	Brake, bent lever, left		1
7	1513177	Brake handle standard, pair		1
8	1513178	Brake handle for performance brake, pair		1
9	1513176	Clamping piece to brake, set		2
10	1579328	Brake shoe standard (40mm), kit 4 Pcs. <i>Replaces 500.1045 (4x)</i>		1
11	1579329	Brake shoe long (50mm), kit 4 Pcs. <i>Replaces 500.1013 (4x)</i>		1

OPTIONS & ACCESSORIES



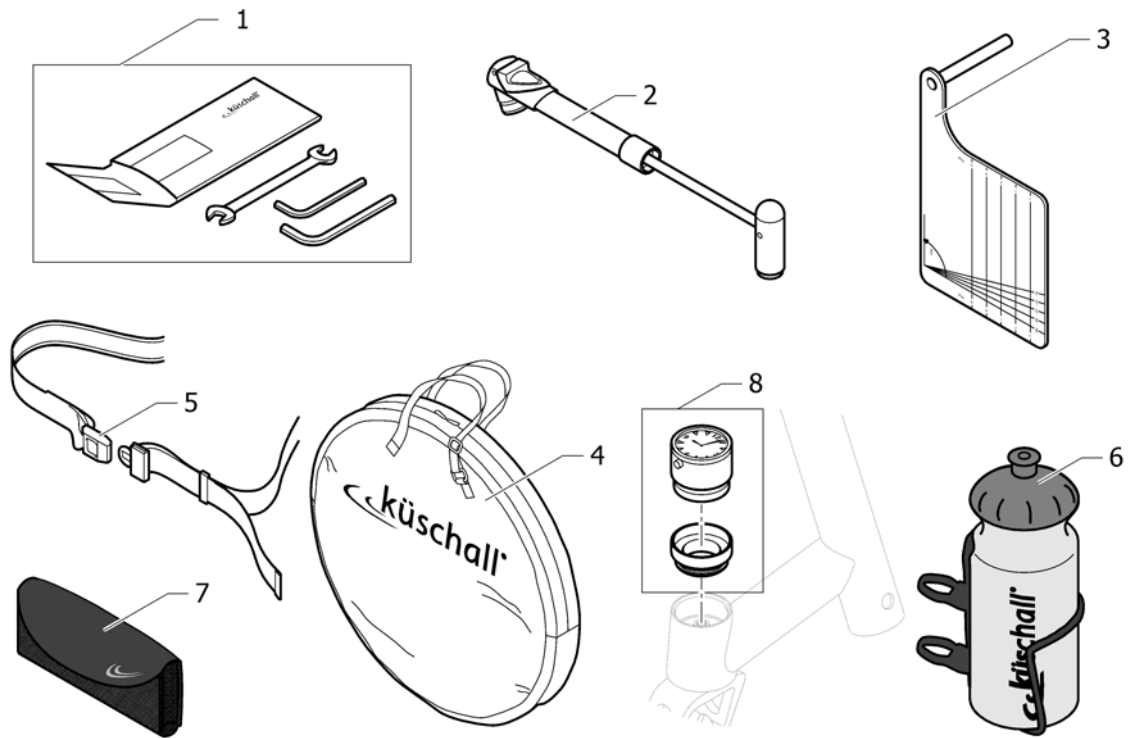
Pos.	Part number	Description	Valid from → until	Qty
1	-	Antitipper		1
2	-	Chair accessories		1
3	-	Luggage holder		1
4	-	Fixation: screws, ...		1

Antitipper



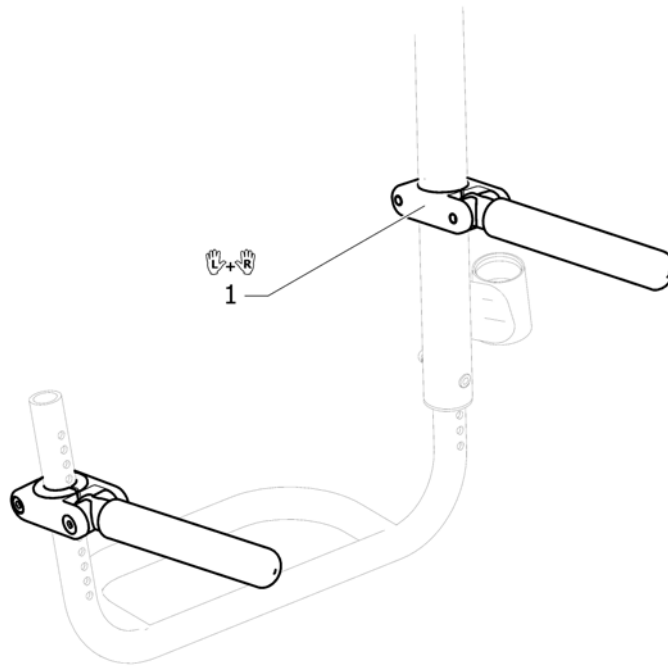
Pos.	Part number	Description	Valid from → until	Qty
1	1488928	Antitipper short right complete		1
2	1488930	Antitipper long right complete		1
3	1488927	Antitipper short left complete		1
4	1488929	Antitipper long left complete		1
5	1528647	Axle holder latch kit for Adaptation		2
6	1528648	Fixation kit to Antitipper		2

Chair accessories



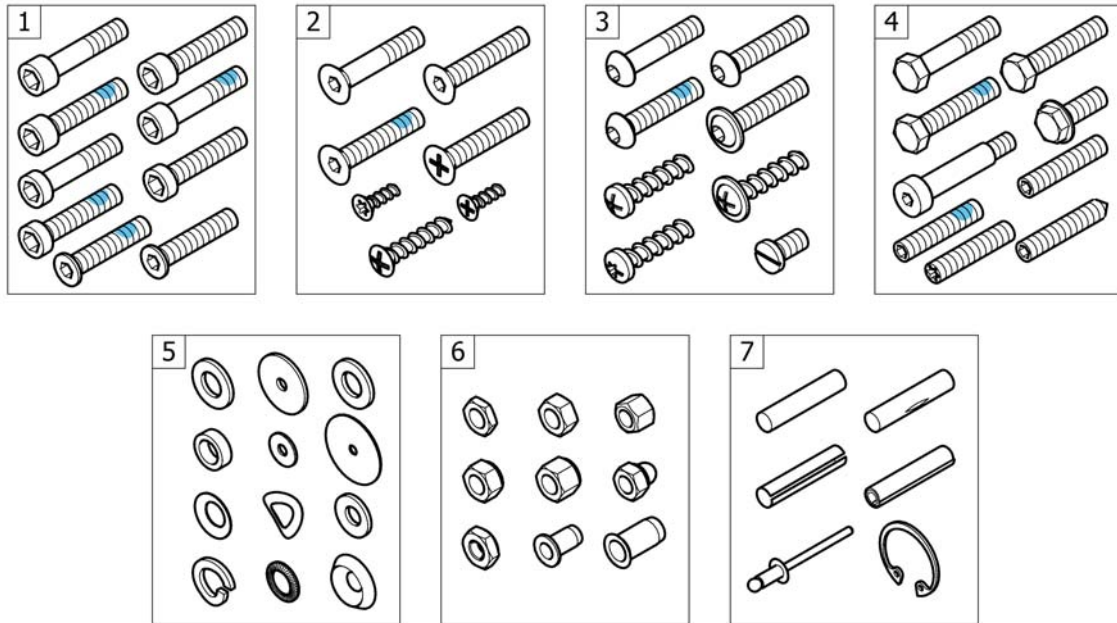
Pos.	Part number	Description	Valid from → until	Qty
1	1518285	Tool Kit		1
2	1517924	Air pump		1
3	1529800	KSL Measuring Tool		1
4	1518287	Wheel bag 24" - 26"		1
5	1518288	Seat belt		1
6	1547625	Bottle holder		1
7	1547622	Mobil phone holder		1
8	1589117	Küschall watch mounted on bearing block, kit	2015-08-05 →	1

Luggage holder



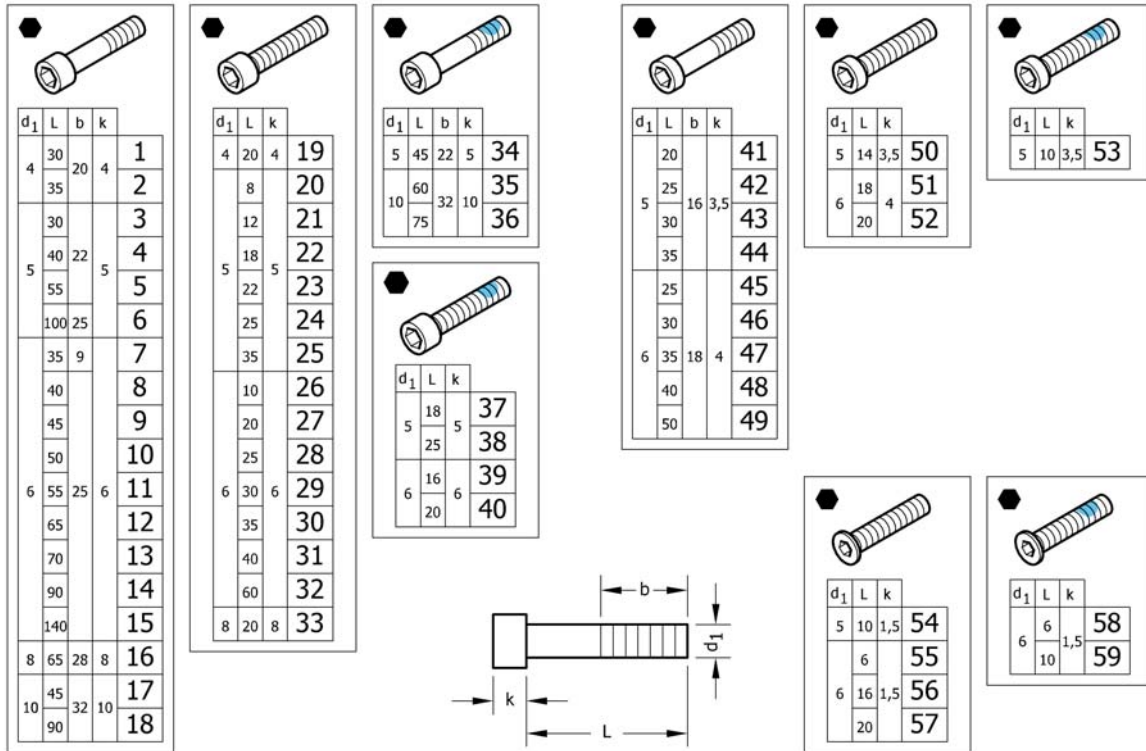
Pos.	Part number	Description	Valid from → until	Qty
1	1547626	Luggage holder complete, pair		1

Fixation: screws, ...



Pos.	Part number	Description	Valid from → until	Qty
1	-	Socket head cap screws		1
2	-	Countersunk screws		1
3	-	Button head screws		1
4	-	Hex-head screws, diverse, ...		1
5	-	Washers		1
6	-	Nuts		1
7	-	Pins, rivets, ...		1

Socket head cap screws



Pos.	Part number	Description	Valid from → until	Qty
1	1579115	Hex socket head cap screws partially threaded, zi.Blue, M4x30, kit 25 <i>Replaces 1560191 (25x)</i>		1
2	1579116	Hex socket head cap screws partially threaded, zi.Blue, M4x35, kit 25 <i>Replaces 1563765 (25x)</i>		1
3	1579117	Hex socket head cap screws partially threaded, black, M5x30, kit 25 Pcs. <i>Replaces 100.1091 (25x)</i>		1
4	1579118	Hex socket head cap screws partially threaded, black, M5x40, kit 25 Pcs. <i>Replaces 100.1093 (25x)</i>		1
5	1579119	Hex socket head cap screws partially threaded, black, M5x55, kit 25 Pcs. <i>Replaces 100.1096 (25x)</i>		1
6	1579120	Hex socket head cap screws partially threaded, black, M5x100, kit 10 Pcs. <i>Replaces 1425240 (10x)</i>		1
7	1579121	Hex socket head cap screws partially threaded, black, M6x35, kit 5 Pcs. <i>Replaces 107.1001 (5x)</i>		1
8	1579122	Hex socket head cap screws partially threaded, black, M6x40, kit 25 Pcs. <i>Replaces 100.1133 (25x)</i>		1
9	1579123	Hex socket head cap screws partially threaded, black, M6x45, kit 25 Pcs. <i>Replaces 100.1134 (25x)</i>		1
10	1579124	Hex socket head cap screws partially threaded, black, M6x50, kit 25 Pcs. <i>Replaces 100.1135 (25x)</i>		1
11	1579125	Hex socket head cap screws partially threaded, black, M6x55, kit 25 Pcs. <i>Replaces 100.1136 (25x)</i>		1
11	1579126	Hex socket head cap screws partially threaded, zi.Blue, M6x55, kit 25 <i>Replaces ZM006551A (25x)</i>		1
12	1579127	Hex socket head cap screws partially threaded, black, M6x65, kit 10 Pcs. <i>Replaces 100.1138 (10x)</i>		1
13	1579128	Hex socket head cap screws partially threaded, black, M6x70, kit 10 Pcs. <i>Replaces 100.1139 (10x)</i>		1
14	1579129	Hex socket head cap screws partially threaded, black, M6x90, kit 10 Pcs. <i>Replaces 1529118 (10x)</i>		1
15	1579130	Hex socket head cap screws partially threaded, black, M6x140, kit 10 Pcs. <i>Replaces 1529117 (10x)</i>		1
16	1579131	Hex socket head cap screws partially threaded, black, M8x65, kit 10 Pcs. <i>Replaces 1510316 (10x)</i>		1
17	1579132	Hex socket head cap screws partially threaded, black, M10x45, kit 2 Pcs. <i>Replaces 1496010 (2x)</i>		1

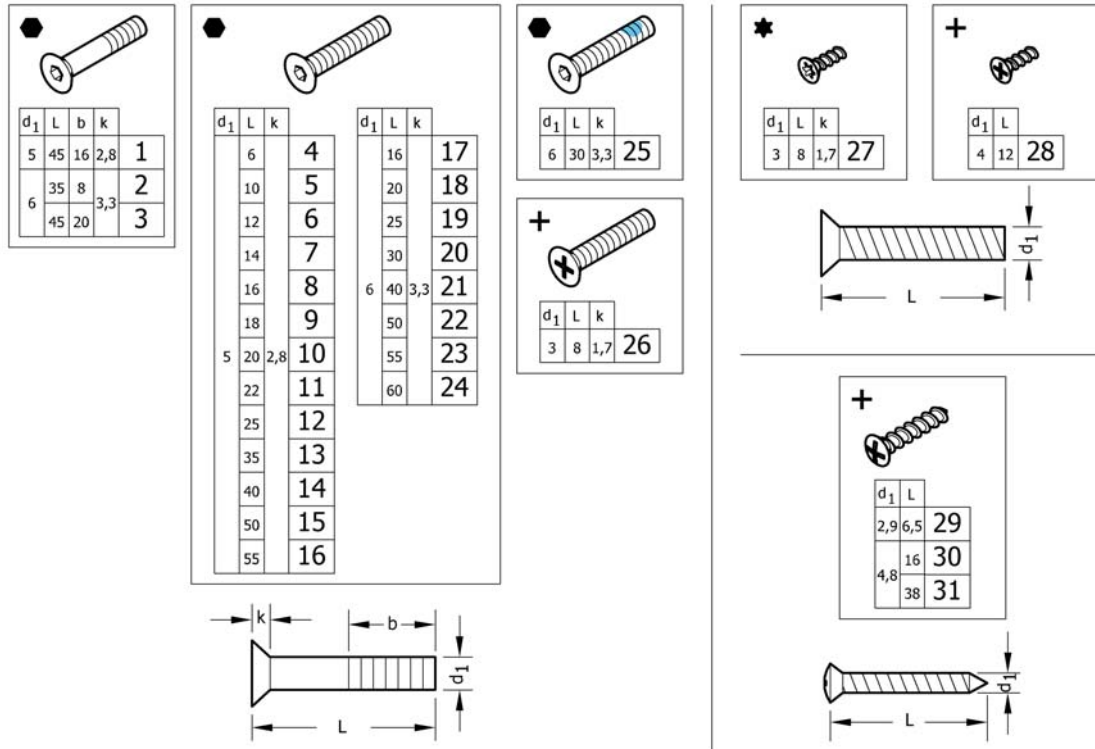
Socket head cap screws

Pos.	Part number	Description	Valid from → until	Qty
18	1579133	Hex socket head cap screws partially threaded, black, M10x90, kit 2 Pcs. <i>Replaces 1496013 (2x)</i>		1
19	1579134	Hex socket head cap screws fully threaded, black, M4x20, kit 25 Pcs. <i>Replaces 100.1050 (25x)</i>		1
20	1579135	Hex socket head cap screws fully threaded, black, M5x8, kit 5 Pcs. <i>Replaces 1493753 (5x)</i>		1
21	1579136	Hex socket head cap screws fully threaded, black, M5x12, kit 25 Pcs. <i>Replaces 100.1084 (25x)</i>		1
22	1579137	Hex socket head cap screws fully threaded, black, M5x18, kit 25 Pcs. <i>Replaces 100.1087 (25x)</i>		1
23	1579138	Hex socket head cap screws fully threaded, black, M5x22, kit 25 Pcs. <i>Replaces 100.1089 (25x)</i>		1
24	1579139	Hex socket head cap screws fully threaded, black, M5x25, kit 25 Pcs. <i>Replaces 100.1090 (25x)</i>		1
25	1579140	Hex socket head cap screws fully threaded, black, M5x35, kit 25 Pcs. <i>Replaces 100.1092 (25x)</i>		1
26	1579141	Hex socket head cap screws fully threaded, black, M6x10, kit 25 Pcs. <i>Replaces 100.1123 (25x)</i>		1
27	1579142	Hex socket head cap screws fully threaded, black, M6x20, kit 25 Pcs. <i>Replaces 100.1128 (25x)</i>		1
28	1579143	Hex socket head cap screws fully threaded, black, M6x25, kit 25 Pcs. <i>Replaces 100.1130 (25x)</i>		1
29	1579144	Hex socket head cap screws fully threaded, black, M6x30, kit 25 Pcs. <i>Replaces 100.1131 (25x)</i>		1
30	1579145	Hex socket head cap screws fully threaded, black, M6x35, kit 25 Pcs. <i>Replaces 100.1132 (25x)</i>		1
31	1579146	Hex socket head cap screws fully threaded, black, M6x40, kit 10 Pcs. <i>Replaces 1563349 (10x)</i>		1
32	1579147	Hex socket head cap screws fully threaded, black, M6x60, kit 10 Pcs. <i>Replaces 100.1137 (10x)</i>		1
33	1579148	Hex socket head cap screws fully threaded, black, M8x20, kit 10 Pcs. <i>Replaces 1510307 (10x)</i>		1
34	1579149	Hex sock.Head cap screws partial.Thread., black, TufLok, M5x45, kit 5 Pcs. <i>Replaces 1496014 (5x)</i>		1
35	1579150	Hex sock.Head cap screws partial.Thread., black, TufLok, M10x60, kit 2 Pcs. <i>Replaces 1496011 (2x)</i>		1
36	1579151	Hex sock.Head cap screws partial.Thread., black, TufLok, M10x75, kit 2 Pcs. <i>Replaces 1496012 (2x)</i>		1
37	1579152	Hex socket head cap screws fully threaded, black, TufLok, M5x18, kit 10 Pcs. <i>Replaces 1425241 (10x)</i>		1
38	1579153	Hex socket head cap screws fully threaded, black, TufLok, M5x25, kit 10 Pcs. <i>Replaces 1570153 (10x)</i>		1
39	1579154	Hex socket head cap screws full.Thread., zi.Blue, TufLok, M6x16, kit 10 Pcs. <i>Replaces 1560219 (10x)</i>		1
40	1579155	Hex socket head cap screws fully threaded, black, TufLok, M6x20, kit 10 Pcs. <i>Replaces 1498775 (10x)</i>		1
41	1579156	Hex sock.Head cap screws, low head, part.Thread., black, M5x20, kit 25 Pcs. <i>Replaces 1438501 (25x)</i>		1
42	1579157	Hex sock.Head cap screws, low head, part.Thread., black, M5x25, kit 25 Pcs. <i>Replaces 1438518 (25x)</i>		1
43	1579158	Hex sock.Head cap screws, low head, part.Thread., black, M5x30, kit 25 Pcs. <i>Replaces 100.5090 (25x)</i>		1
44	1579159	Hex sock.Head cap screws, low head, part.Thread., black, M5x35, kit 25 Pcs. <i>Replaces 100.5091 (25x)</i>		1

Socket head cap screws

Pos.	Part number	Description	Valid from → until	Qty
45	1579160	Hex sock.Head cap screws, low head, part.Thread., black, M6x25, kit 25 Pcs. <i>Replaces 1432120 (25x)</i>		1
46	1579161	Hex sock.Head cap screws, low head, part.Thread., black, M6x30, kit 25 Pcs. <i>Replaces 100.5130 (25x)</i>		1
47	1579162	Hex sock.Head cap screws, low head, part.Thread., black, M6x35, kit 25 Pcs. <i>Replaces 1438504 (25x)</i>		1
48	1579163	Hex sock.Head cap screws, low head, part.Thread., black, M6x40, kit 25 Pcs. <i>Replaces 100.5132 (25x)</i>		1
49	1579164	Hex sock.Head cap screws, low head, part.Thread., black, M6x50, kit 25 Pcs. <i>Replaces 100.5134 (25x)</i>		1
50	1579165	Hex sock.Head cap screws, low head, part.Thread., black, M5x14, kit 25 Pcs. <i>Replaces 100.5085 (25x)</i>		1
51	1579166	Hex sock.Head cap screws, low head, part.Thread., black, M6x18, kit 25 Pcs. <i>Replaces 100.5126 (25x)</i>		1
52	1579167	Hex sock.Head cap screws, low head, part.Thread., black, M6x20, kit 25 Pcs. <i>Replaces 100.5127 (25x)</i>		1
53	1579168	Hex soc.Head cap scr., low head, part.Threa., bl., TufL., M5x10, kit 10 Pcs. <i>Replaces 1496026 (10x)</i>		1
54	1579169	Hex socket head cap screws, special low head, black, M5x10, kit 25 Pcs. <i>Replaces 1437290 (25x)</i>		1
55	1579170	Hex socket head cap screws, special low head, black, M6x6, kit 25 Pcs. <i>Replaces 1425182 (25x)</i>		1
56	1579171	Hex socket head cap screws, special low head, black, M6x16, kit 25 Pcs. <i>Replaces 1541181 (25x)</i>		1
57	1579172	Hex socket head cap screws, special low head, black, M6x20, kit 25 Pcs. <i>Replaces 107.1022 (25x)</i>		1
58	1579173	Hex socket head cap screws, spec.Low head, black, TufLok, M5x6, kit 10 Pcs. <i>Replaces 1532039 (10x)</i>		1
59	1579174	Hex socket head cap screws, spec.Low head, black, TufLok, M6x10, kit 10 Pcs. <i>Replaces 1420946 (10x)</i>		1

Countersunk screws

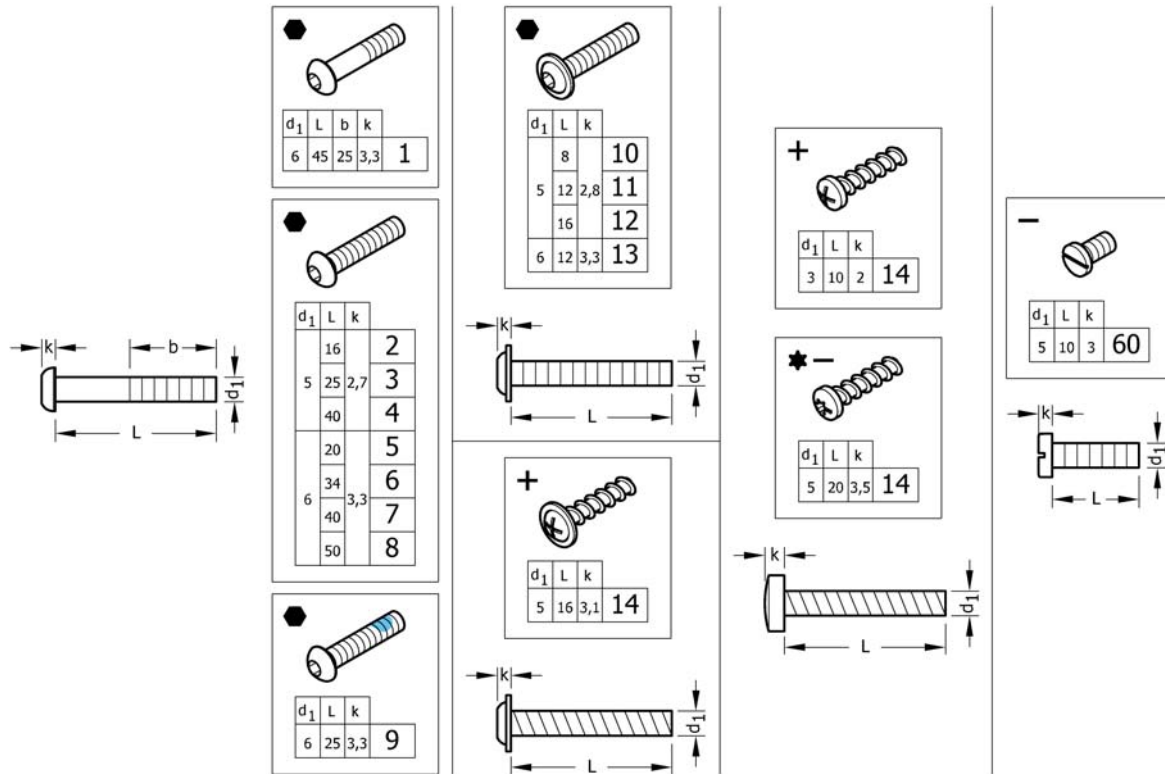


Pos.	Part number	Description	Valid from → until	Qty
1	1579175	Countersunk head screws partially threaded, Black, M5x45, kit 10 Pcs. <i>Replaces 1438773 (10x)</i>		1
2	1579176	Countersunk head screws partially threaded, Black, M6x35, kit 10 Pcs. <i>Replaces 107.1004 (10x)</i>		1
3	1579177	Countersunk head screws partially threaded, Black, M6x45, kit 10 Pcs. <i>Replaces 100.3133 (10x)</i>		1
4	1579178	Countersunk head screws fully threaded, Black, M5x6, kit 25 Pcs. <i>Replaces 1445273 (25x)</i>		1
5	1579179	Countersunk head screws fully threaded, Black, M5x10, kit 25 Pcs. <i>Replaces 100.3082 (25x)</i>		1
6	1579180	Countersunk head screws fully threaded, Black, M5x12, kit 25 Pcs. <i>Replaces 1438999 (25x)</i>		1
7	1579181	Countersunk head screws fully threaded, Black, M5x14, kit 25 Pcs. <i>Replaces 107.1015 (25x)</i>		1
8	1579182	Countersunk head screws fully threaded, Black, M5x16, kit 25 Pcs. <i>Replaces 100.3085 (25x)</i>		1
9	1579183	Countersunk head screws fully threaded, Black, M5x18, kit 25 Pcs. <i>Replaces 100.3086 (25x)</i>		1
10	1579184	Countersunk head screws fully threaded, Black, M5x20, kit 25 Pcs. <i>Replaces 100.3087 (25x)</i>		1
11	1579185	Countersunk head screws fully threaded, Black, M5x22, kit 25 Pcs. <i>Replaces 1416930 (25x)</i>		1
12	1579186	Countersunk head screws fully threaded, Black, M5x25, kit 25 Pcs. <i>Replaces 100.3089 (25x)</i>		1
13	1579187	Countersunk head screws fully threaded, Black, M5x35, kit 25 Pcs. <i>Replaces 100.3091 (25x)</i>		1
14	1579188	Countersunk head screws fully threaded, Black, M5x40, kit 25 Pcs. <i>Replaces 1432148 (25x)</i>		1
15	1579189	Countersunk head screws fully threaded, Black, M5x50, kit 25 Pcs. <i>Replaces 100.3094 (25x)</i>		1
16	1579190	Countersunk head screws fully threaded, Black, M5x55, kit 25 Pcs. <i>Replaces 100.3095 (25x)</i>		1
17	1579191	Countersunk head screws fully threaded, Black, M6x16, kit 25 Pcs. <i>Replaces 100.3125 (25x)</i>		1
18	1579192	Countersunk head screws full.Threaded, zinc flake coat., M6x20, kit 25 Pcs. <i>Replaces 100.3127 (25x)</i>		1

Countersunk screws

Pos.	Part number	Description	Valid from → until	Qty
18	1579193	Countersunk head screws fully threaded, Black, M6x20, kit 25 Pcs. <i>Replaces 1437809 (25x)</i>		1
19	1579194	Countersunk head screws fully threaded, Black, M6x25, kit 25 Pcs. <i>Replaces 100.3129 (25x)</i>		1
20	1579195	Countersunk head screws fully threaded, Black, M6x30, kit 25 Pcs. <i>Replaces 100.3130 (25x)</i>		1
21	1579196	Countersunk head screws fully threaded, Black, M6x40, kit 25 Pcs. <i>Replaces 100.3132 (25x)</i>		1
22	1579197	Countersunk head screws fully threaded, Black, M6x50, kit 25 Pcs. <i>Replaces 100.3134 (25x)</i>		1
23	1579198	Countersunk head screws fully threaded, Black, M6x55, kit 25 Pcs. <i>Replaces 100.3135 (25x)</i>		1
24	1579199	Countersunk head screws fully threaded, Black, M6x60, kit 25 Pcs. <i>Replaces 100.3136 (25x)</i>		1
25	1579200	Countersunk head screws fully threaded, Black, TufLok, M6x30, kit 25 Pcs. <i>Replaces 1550479 (25x)</i>		1
26	1579201	Countersunk head screws fully threaded, zi.Blue, M3x8, kit 25 Pcs. <i>Replaces 1529279 (25x)</i>		1
27	1579202	Countersunk head PT screws, Torx, stainless steel, 3x8, kit 25 Pcs. <i>Replaces 1529278 (25x)</i>		1
28	1579203	Countersunk head PT screws, Black, KA40x12, kit 25 Pcs. <i>Replaces 1438513 (25x)</i>		1
29	1579204	Countersunk head tapping screws with cone end, Black, ST2,9x6,5, kit 25 Pcs. <i>Replaces 126.5041 (25x)</i>		1
30	1579205	Countersunk head tapping screws with cone end, Black, ST4,8x16, kit 25 Pcs. <i>Replaces 126.5202 (25x)</i>		1
31	1579206	Countersunk head tapping screws with cone end, Black, ST4,8x38, kit 25 Pcs. <i>Replaces 126.5207 (25x)</i>		1

Button head screws

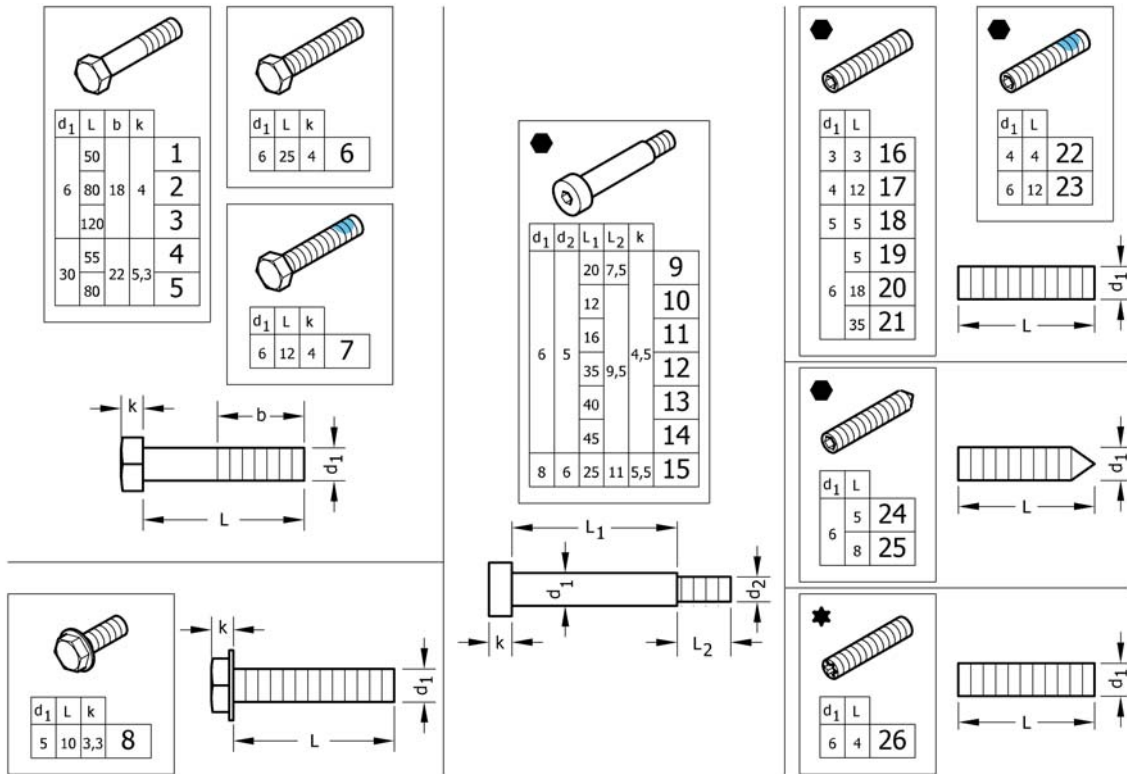


Pos.	Part number	Description	Valid from → until	Qty
1	1579259	Hex sock.Button head cap screws partially thread., Black, M6x45, kit 25 Pcs. <i>Replaces 1438507 (25x)</i>		1
2	1579260	Hex socket button head cap screws fully threaded, Black, M5x16, kit 25 Pcs. <i>Replaces 1445341-0003 (25x)</i>		1
3	1579261	Hex socket button head cap screws fully threaded, Black, M5x25, kit 25 Pcs. <i>Replaces 107.1021 (25x)</i>		1
4	1579262	Hex socket button head cap screws fully threaded, Black, M5x40, kit 25 Pcs. <i>Replaces 1445101-0003 (25x)</i>		1
5	1579263	Hex socket button head cap screws fully threaded, Black, M6x20, kit 25 Pcs. <i>Replaces 1439153 (25x)</i>		1
6	1579264	Hex socket button head cap screws fully threaded, Black, M6x34, kit 25 Pcs. <i>Replaces 1438506-0003 (25x)</i>		1
7	1579265	Hex socket button head cap screws fully threaded, Black, M6x40, kit 25 Pcs. <i>Replaces 1439530-0003 (25x)</i>		1
8	1579266	Hex socket button head cap screws fully threaded, Black, M6x50, kit 25 Pcs. <i>Replaces 1439531-0003 (25x)</i>		1
9	1579267	Hex sock.But.Head cap screws full.Thread., Black, TufLok, M6x25, kit 25 Pcs. <i>Replaces 1438505 (25x)</i>		1
10	1579268	Button head socket cap screws with flange, Black, M5x8, kit 25 Pcs. <i>Replaces 1536268 (25x)</i>		1
11	1579269	Button head socket cap screws with flange, Black, M5x12, kit 25 Pcs. <i>Replaces 1529290 (25x)</i>		1
12	1579270	Button head socket cap screws with flange, Black, M5x16, kit 25 Pcs. <i>Replaces 1445102-0003 (25x)</i>		1
13	1579271	Button head socket cap screws with flange, Black, M6x12, kit 25 Pcs. <i>Replaces 1432204 (25x)</i>		1
14	1579272	Round washer head PT® screws, form H, zinc plated blue, M5x16, kit 25 Pcs. <i>Replaces 1536057 (25x)</i>		1

Button head screws

Pos.	Part number	Description	Valid from → until	Qty
15	1579273	Pan head PT screws, form H, zinc plated blue, M3x10, kit 25 Pcs. <i>Replaces ZM003510A (25x)</i>		1
16	1579274	Pan head PT screws, Torx, Black, M5x20, kit 25 Pcs. <i>Replaces 1424569 (25x)</i>		1
17	1579275	Slotted machine screws, Black, M5x10, kit 25 Pcs. <i>Replaces 102.2083 (25x)</i>		1

Hex-head screws, diverse, ...

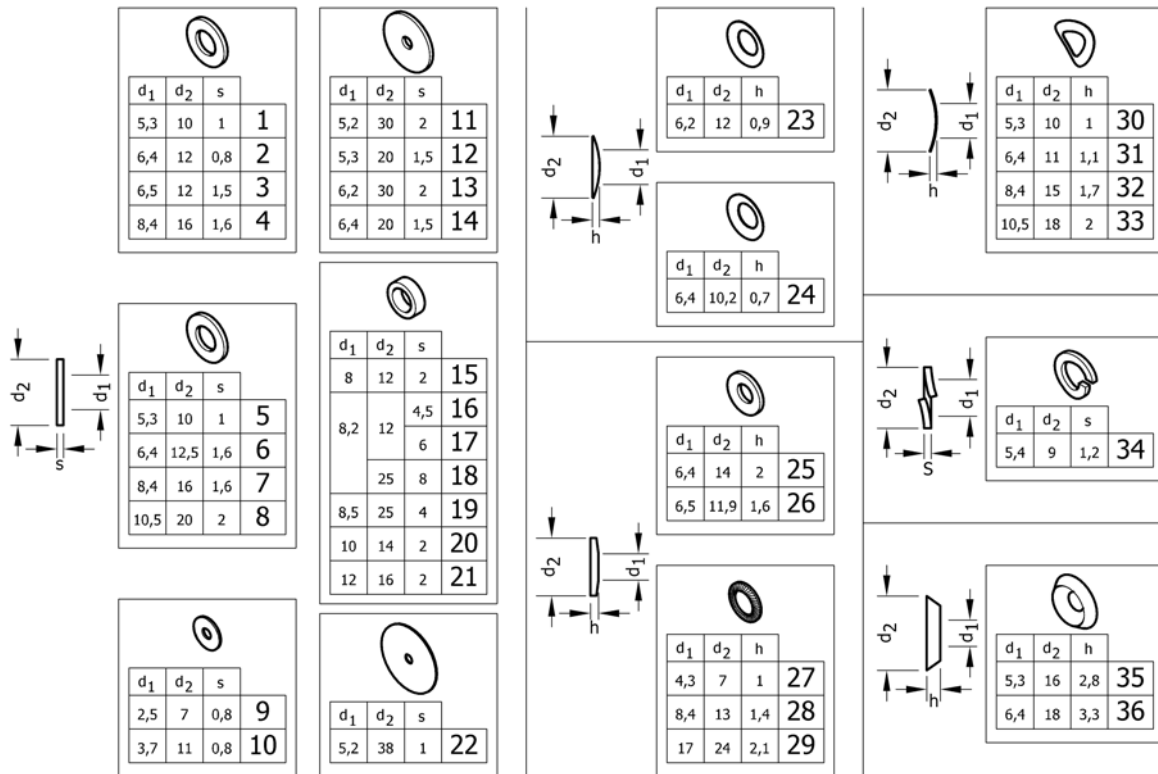


Pos.	Part number	Description	Valid from → until	Qty
1	1579276	Hex head bolts partially threaded, Black, M6x50, kit 10 Pcs. <i>Replaces 101.1134 (10x)</i>		1
2	1579277	Hex head bolts partially threaded, Black, M6x80, kit 10 Pcs. <i>Replaces 1438508 (10x)</i>		1
3	1579278	Hex head bolts partially threaded, Black, M6x120, kit 10 Pcs. <i>Replaces 1438509 (10x)</i>		1
4	1579279	Hex head bolts partially threaded, Black, M8x55, kit 10 Pcs. <i>Replaces 101.1174 (10x)</i>		1
5	1579280	Hex head bolts partially threaded, Black, M8x80, kit 10 Pcs. <i>Replaces 101.1179 (10x)</i>		1
6	1579281	Hex head screws fully threaded, Black, M6x25, kit 10 Pcs. <i>Replaces 1437299 (10x)</i>		1
7	1579282	Hex head screws fully threaded, Black, TufLok, M6x12, kit 10 Pcs. <i>Replaces 1564245 (10x)</i>		1
8	1579283	Hex flange head machine screws with flangeBlack, M5x10, kit 10 Pcs. <i>Replaces 107.1014 (10x)</i>		1
9	1579295	Hex socket head shoulder bolts, Black, Ø6x20 / M5, kit 4 Pcs. <i>Replaces 1488934-0003 (4x)</i>		1
10	1579296	Hex socket head shoulder bolts, Black, Ø6x12 / M5, kit 4 Pcs. <i>Replaces 1564246 (4x)</i>		1
11	1579297	Hex socket head shoulder bolts, Black, Ø6x16 / M5, kit 4 Pcs. <i>Replaces 1529291 (4x)</i>		1
12	1579298	Hex socket head shoulder bolts, Black, Ø6x35 / M5, kit 4 Pcs. <i>Replaces 1496034 (4x)</i>		1
13	1579299	Hex socket head shoulder bolts, Black, Ø6x40 / M5, kit 4 Pcs. <i>Replaces 107.1023 (4x)</i>		1
14	1579300	Hex socket head shoulder bolts, Black, Ø6x45 / M5, kit 4 Pcs. <i>Replaces 1496030 (4x)</i>		1
15	1579301	Hex socket head shoulder bolts, Black, Ø8x25 / M6, kit 4 Pcs. <i>Replaces ZM008252A (4x)</i>		1
16	1579284	Hex socket set screws with flat point, Black, M3x3, kit 25 Pcs. <i>Replaces 116.1001 (25x)</i>		1
17	1579285	Hex socket set screws with flat point, Black, M4x12, kit 25 Pcs. <i>Replaces 116.1046 (25x)</i>		1
18	1579286	Hex socket set screws with flat point, zinc plated blue, M5x5, kit 25 Pcs. <i>Replaces 116.1081 (25x)</i>		1

Hex-head screws, diverse, ...

Pos.	Part number	Description	Valid from → until	Qty
19	1579287	Hex socket set screws with flat point, Black, M6x5, kit 25 Pcs. <i>Replaces 1437272 (25x)</i>		1
20	1579288	Hex socket set screws with flat point, zinc plated blue, M6x18, kit 25 Pcs. <i>Replaces 1559106 (25x)</i>		1
21	1579289	Hex socket set screws with flat point, Black, M6x35, kit 25 Pcs. <i>Replaces 116.1133 (25x)</i>		1
22	1579290	Hex socket set screws with flat point, Black, TufLok, M4x4, kit 10 Pcs. <i>Replaces 1493792 (10x)</i>		1
23	1579291	Hex socket set screws with flat point, Z.Plat.Bl., TufLok, M6x12, kit 10Pcs. <i>Replaces 1439057 (10x)</i>		1
24	1579292	Hex socket set screws with cone point, Black, M6x5, kit 25 Pcs. <i>Replaces 116.2121 (25x)</i>		1
25	1579293	Hex socket set screws with cone point, Black, M6x8, kit 25 Pcs. <i>Replaces 116.2123 (25x)</i>		1
26	1579294	Screws with cup point, Torx, zinc plated blue, M6x4, kit 25 Pcs. <i>Replaces 1567763 (25x)</i>		1

Washers

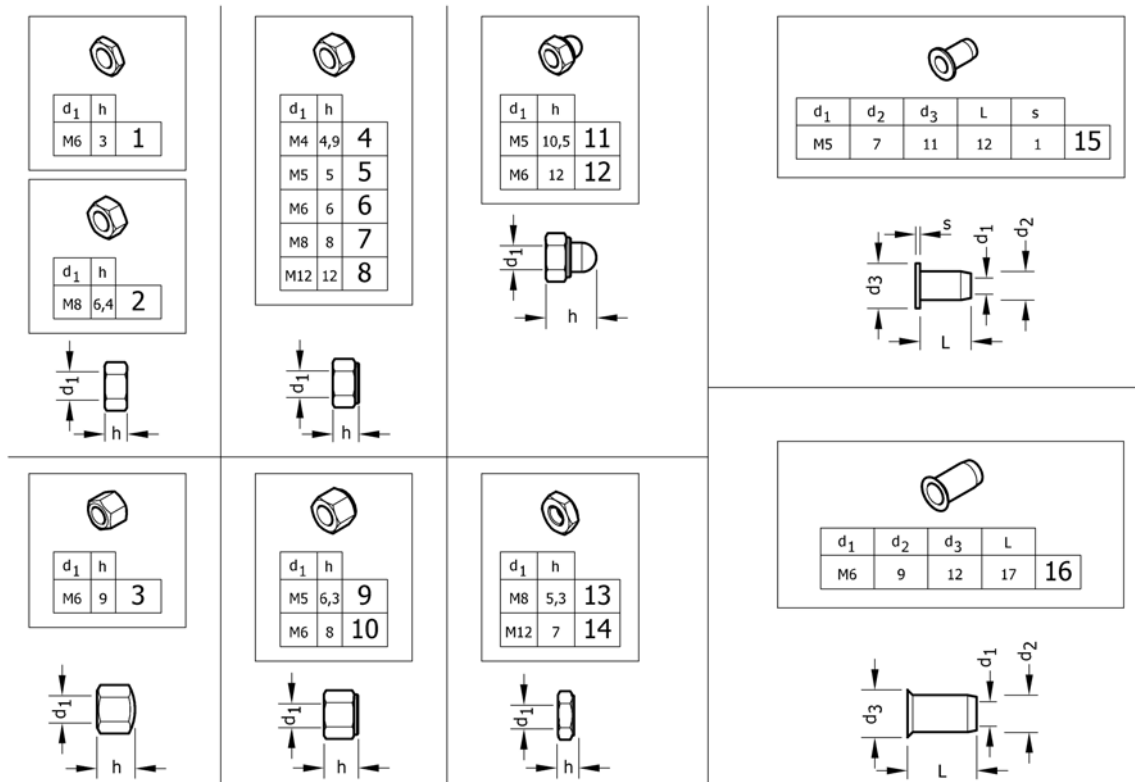


Pos.	Part number	Description	Valid from → until	Qty
1	1579225	Flat washers without chamfer, black, 5,3x10x1, kit 50 Pcs. <i>Replaces 150.1004 (50x)</i>		1
2	1579226	Flat washers without chamfer, black, 6,4x12x0,8, kit 50 Pcs. <i>Replaces 150.2001 (50x)</i>		1
3	1579227	Flat washers without chamfer, zinc plated blue, 6,5x12x1,5, kit 50 Pcs. <i>Replaces 5729091 (50x)</i>		1
4	1579228	Flat washers without chamfer, black, 8,4x16x1,6, kit 50 Pcs. <i>Replaces 150.1012 (50x)</i>		1
5	1579229	Flat washers without chamfer, polyamide, 5,3x10x1, kit 50 Pcs. <i>Replaces 150.3003 (50x)</i>		1
6	1579230	Flat washers without chamfer, polyamide, 6,4x12,5x1,6, kit 50 Pcs. <i>Replaces 150.3004 (50x)</i>		1
7	1579231	Flat washers without chamfer, polyamide, 8,4x16x1,6, kit 50 Pcs. <i>Replaces 150.3005 (50x)</i>		1
8	1579232	Flat washers without chamfer, polyamide, 10,5x20x2, kit 50 Pcs. <i>Replaces 150.3006 (50x)</i>		1
9	1579233	Flat washers without chamfer, zinc plated blue, 2,5x7x0,8, kit 50 Pcs. <i>Replaces 150.2012 (50x)</i>		1
10	1579234	Flat washers without chamfer, zinc plated blue, 3,7x11x0,8, kit 50 Pcs. <i>Replaces ZM203501A (50x)</i>		1
11	1579235	Flat washers without chamfer, black, 5,2x30x2, kit 20 Pcs. <i>Replaces 150.2006 (20x)</i>		1
12	1579236	Flat washers without chamfer, black, 5,3x20x1,5, kit 50 Pcs. <i>Replaces 150.2010 (50x)</i>		1
13	1579237	Flat washers without chamfer, black, 6,2x30x2, kit 20 Pcs. <i>Replaces 150.2009 (20x)</i>		1
14	1579238	Flat washers without chamfer, black, 6,4x25x1,5, kit 50 Pcs. <i>Replaces 1451753 (50x)</i>		1
15	1579239	Hinge rings, black, 8x12x2, kit 50 Pcs. <i>Replaces 150.5002 (50x)</i>		1
16	1579240	Distance sleeve, alu, 8,2x12x4,5, kit 20 Pcs. <i>Replaces 1420970 (20x)</i>		1
17	1579241	Distance sleeve, alu, 8,2x12x6, kit 20 Pcs. <i>Replaces 1420969 (20x)</i>		1
18	1581292	Distance sleeve, alu, 8,2x25x8, kit 2 Pcs. <i>Replaces 151.1002 (2x)</i>		1

Washers

Pos.	Part number	Description	Valid from → until	Qty
19	1583052	Distance sleeve, alu, black, 8,5x25x4, kit 10 Pcs. <i>Replaces 151.1014 (10x)</i>		1
20	1579242	Hinge rings, zinc plated blue, 10x14x2, kit 50 Pcs. <i>Replaces 1506666 (50x)</i>		1
21	1579243	Hinge rings, black, 12x16x2, kit 50 Pcs. <i>Replaces 150.5006 (50x)</i>		1
22	1579244	Rubber washers, 5,2x38x1, kit 20 Pcs. <i>Replaces 1424891 (20x)</i>		1
23	1579245	Disc springs, black, 6,2x12x0,9, kit 50 Pcs. <i>Replaces 160.1015 (50x)</i>		1
24	1579246	Conical spring washers, zinc plated blue, 6,4x10,2x0,7, kit 50 Pcs. <i>Replaces 161.1004 (50x)</i>		1
25	1579247	Conical spring washers, black, 6,4x14x2, kit 50 Pcs. <i>Replaces 161.2004 (50x)</i>		1
26	1579248	Conical spring washers, zinc plated blue, 6,5x11,9x1,6, kit 50 Pcs. <i>Replaces ZM206001A (50x)</i>		1
27	1579249	Ribbed lock washers, black, 4,3x7x1, kit 50 Pcs. <i>Replaces 155.2002 (50x)</i>		1
28	1579250	Ribbed lock washers, zinc plated blue, 8,4x13x1,4, kit 50 Pcs. <i>Replaces 155.2005 (50x)</i>		1
29	1579251	Ribbed lock washers, zinc plated blue, 17x24x2,1, kit 50 Pcs. <i>Replaces 155.2009 (50x)</i>		1
30	1579252	Curved spring washers, black, 5,3x10x1, kit 50 Pcs. <i>Replaces 1438515 (50x)</i>		1
31	1579253	Curved spring washers, black, 6,4x11x1,1, kit 50 Pcs. <i>Replaces 1438516 (50x)</i>		1
32	1579254	Curved spring washers, zinc plated blue, 8,4x15x1,7, kit 50 Pcs. <i>Replaces ZM208003A (50x)</i>		1
33	1579255	Curved spring washers, zinc plated blue, 10,5x18x2, kit 50 Pcs. <i>Replaces ZM201581A (50x)</i>		1
34	1579256	Split spring lock washers, black, 5,4x9x1,2, kit 50 Pcs. <i>Replaces 155.1003 (50x)</i>		1
35	1579257	Finishing washers 90° countersunk head screw, black, 5,3x16x2,8, kit 50 Pcs. <i>Replaces 150.6003 (50x)</i>		1
36	1579258	Finishing washers 90° countersunk head screw, black, 6,4x18x3,3, kit 50 Pcs. <i>Replaces 150.6004 (50x)</i>		1

Nuts

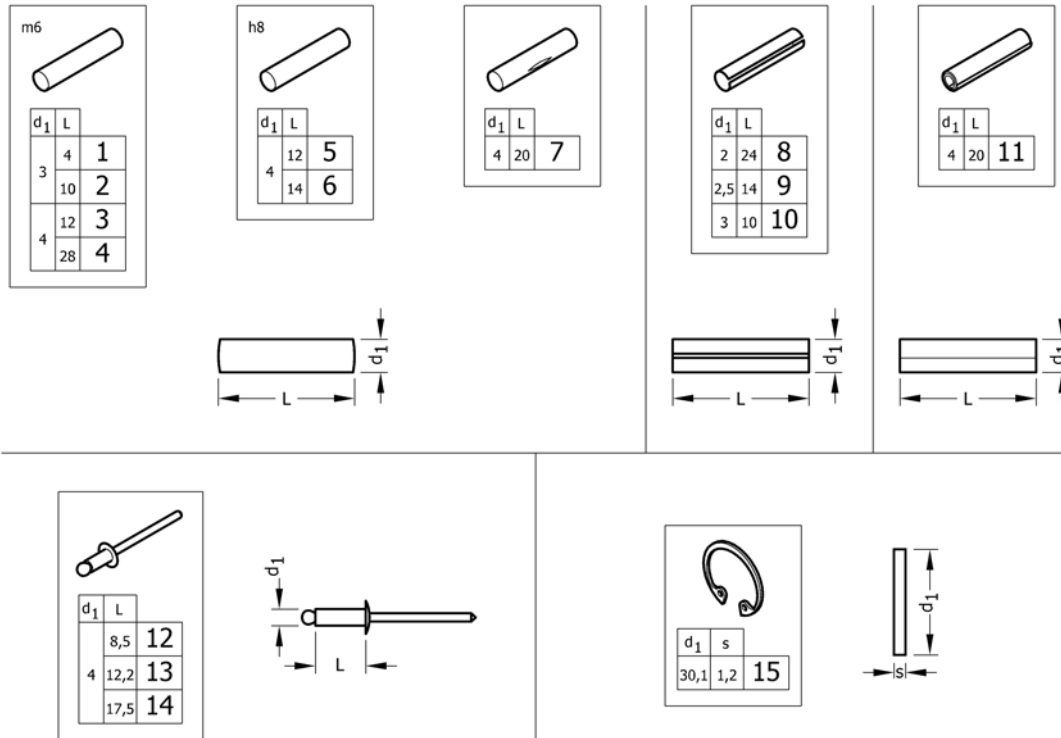


Pos.	Part number	Description	Valid from → until	Qty
1	1579207	Hex jam nuts, black, M6, kit 25 Pcs. <i>Replaces 108.3004 (25x)</i>		1
2	1579208	Hexagon nuts , black, M8, kit 25 Pcs. <i>Replaces 1420997 (25x)</i>		1
3	1579209	Hex cap nuts, low type, black, M6, kit 25 Pcs. <i>Replaces 109.5009 (25x)</i>		1
4	1579210	Prev.Torque lock nuts, thin type, with polyam.Insert, black, M4, kit 25 Pcs. <i>Replaces 109.1002 (25x)</i>		1
5	1579211	Prev.Torque lock nuts, thin type, with polyam.Insert, black, M5, kit 25 Pcs. <i>Replaces 109.1003 (25x)</i>		1
5	1579212	Prev.Torque lock nuts, thin type, with polya.Insert, zi.Bl., M5, kit 25 Pcs. <i>Replaces 109.5008 (25x)</i>		1
6	1579213	Prev.Torque lock nuts, thin type, with polyam.Insert, black, M6, kit 25 Pcs. <i>Replaces 109.1004 (25x)</i>		1
6	1579214	Prev.Torque lock nuts, thin type, with polya.Insert, zi.Bl., M6, kit 25 Pcs. <i>Replaces ZM106001A (25x)</i>		1
7	1579215	Prev.Torque lock nuts, thin type, with polyam.Insert, black, M8, kit 25 Pcs. <i>Replaces 109.1005 (25x)</i>		1
8	1579216	Prev.Torque lock nuts, thin type, with polya.Insert, black, M12, kit 4 Pcs. <i>Replaces 109.1007 (4x)</i>		1
9	1579217	Preva.Torq.Hex lock nuts, high type with poly.Insert, black, M5, kit 25 Pcs. <i>Replaces 1493771 (25x)</i>		1
10	1579218	Preva.Torq.Hex lock nuts, high type with poly.Insert, black, M6, kit 25 Pcs. <i>Replaces 109.5001 (25x)</i>		1
11	1579219	Prevail.Torque hex domed cap nuts with polyam.Insert, black, M5, kit 25 Pcs. <i>Replaces 109.5006 (25x)</i>		1
12	1579220	Prevail.Torque hex domed cap nuts with polyam.Insert, black, M6, kit 25 Pcs. <i>Replaces 109.5003 (25x)</i>		1
13	1579221	Prevailing torque hex lock nuts, all-metal, thin typeblack, M8, kit 10 Pcs. <i>Replaces 109.5005 (10x)</i>		1
14	1579222	Prevailing torque hex lock nuts, all-metal, thin typeblack, M12, kit 4 Pcs. <i>Replaces 109.5004 (4x)</i>		1
15	1579223	Blind rivet nuts, flat head, open type, black, M5, kit 10 Pcs. <i>Replaces 180.4007 (10x)</i>		1

Nuts

Pos.	Part number	Description	Valid from → until	Qty
16	1579224	Blind rivet nut with low countersunk head, open type, black, M6, kit 10 Pcs. <i>Replaces 180.4105 (10x)</i>		1

Pins, rivets, ...



Pos.	Part number	Description	Valid from → until	Qty
1	1579302	Parallel pins, Ø3x4 m6, kit 10 Pcs. <i>Replaces 1439336 (10x)</i>		1
2	1579303	Parallel pins, Ø3x10 m6, kit 10 Pcs. <i>Replaces 1439337 (10x)</i>		1
3	1579304	Parallel pins, Ø4x12 m6, kit 20 Pcs. <i>Replaces 200.1124 (20x)</i>		1
4	1579305	Parallel pins, Ø4x28 m6, kit 20 Pcs. <i>Replaces 1437344 (20x)</i>		1
5	1579306	Parallel pins, Ø4x12 h8, kit 20 Pcs. <i>Replaces 1487663 (20x)</i>		1
6	1579307	Parallel pins, Ø4x14 h8, kit 20 Pcs. <i>Replaces 1487662 (20x)</i>		1
7	1579308	Grooved pins, center grooved, Ø4x20, kit 20 Pcs. <i>Replaces 1517718 (20x)</i>		1
8	1579309	Slotted spring pins, heavy duty, Black, Ø2x24, kit 20 Pcs. <i>Replaces 200.4011 (20x)</i>		1
9	1579310	Slotted spring pins, heavy duty, Black, Ø2,5x14, kit 20 Pcs. <i>Replaces 200.4007 (20x)</i>		1
10	1579311	Slotted spring pins, heavy duty, stainless steel, Ø3x10, kit 20 Pcs. <i>Replaces 1567997 (20x)</i>		1
11	1579312	Spiral spring pins, Black, Ø4x20, kit 20 Pcs. <i>Replaces 200.3167 (20x)</i>		1
12	1579313	Dome head blind rivets, Ø4x8,5, kit 20 Pcs. <i>Replaces 1439292 (20x)</i>		1
13	1579314	Dome head blind rivets, Ø4x12,2, kit 20 Pcs. <i>Replaces 180.5116 (20x)</i>		1
14	1579315	Dome head blind rivets, Ø4x17,5, kit 20 Pcs. <i>Replaces 180.5019 (20x)</i>		1
15	1579316	Retaining rings for bores, Std.Design, Z.plat.Blue, Ø30,1X1,2, kit 20 Pcs. <i>Replaces ZM50J281A (20x)</i>		1



Yes, you can.®



Belgium & Luxemburg:

Invacare nv, Autobaan 22, B-8210 Loppem
Tel: (32) (0)50 83 10 10, Fax: (32) (0)50 83 10 11
belgium@invacare.com / www.invacare.be

Denmark:

Invacare A/S, Sdr. Ringvej 37, DK-2605 Brøndby
Tel: (45) (0)36 90 00 00, Fax: (45) (0)36 90 00 01
denmark@invacare.com / www.invacare.dk

Deutschland:

Invacare Aquatec GmbH, Alemannenstraße 10, D-88316 Isny
Tel: (49) (0)75 62 7 00 0, Fax: (49) (0)75 62 7 00 66
info@invacare-aquatec.com / www.invacare-aquatec.de

European Distributor Organisation:

Invacare, Kleiststraße 49, D-32457 Porta Westfalica
Tel: (49) (0)57 31 754 540, Fax: (49) (0)57 31 754 541
edo@invacare.com / www.invacare.eu.com

España:

Invacare SA, c/Areny s/n, Polígon Industrial de Celrà, E-17460 Celrà (Girona)
Tel: (34) (0)972 49 32 00, Fax: (34) (0)972 49 32 20
contactsp@invacare.com / www.invacare.es

France:

Invacare Poirier SAS, Route de St Roch, F-37230 Fondettes
Tel: (33) (0)2 47 62 64 66, Fax: (33) (0)2 47 42 12 24
contactfr@invacare.com / www.invacare.fr

Ireland:

Invacare Ireland Ltd, Unit 5 Seatown Business Campus, Seatown Road, Swords, County Dublin - Ireland
Tel: (353) 1 810 7084, Fax: (353) 1 810 7085
ireland@invacare.com / www.invacare.ie

Italia:

Invacare Mecc San s.r.l., Via dei Pini 62, I-36016 Thiene (VI)
Tel: (39) 0445 38 00 59, Fax: (39) 0445 38 00 34
italia@invacare.com / www.invacare.it

Nederland:

Invacare BV, Celsiusstraat 46, NL-6716 BZ Ede
Tel: (31) (0)318 695 757, Fax: (31) (0)318 695 758
nederland@invacare.com, csede@invacare.com / www.invacare.nl

Norge:

Invacare AS, Grensesvingen 9, Postboks 6230, Etterstad, N-0603 Oslo
Tel: (47) (0)22 57 95 00, Fax: (47) (0)22 57 95 01
norway@invacare.com, island@invacare.com / www.invacare.no

Österreich:

Invacare Austria GmbH, Herzog Odilostrasse 101, A-5310 Mondsee
Tel: (43) 6232 5535 0, Fax: (43) 6232 5535 4
info-austria@invacare.com / www.invacare.at

Portugal:

Invacare Lda, Rua Estrada Velha, 949, P-4465-784 Leça do Balio
Tel: (351) (0)225 1059 46/47, Fax: (351) (0)225 1057 39
portugal@invacare.com / www.invacare.pt

Sverige & Suomi:

Invacare AB, Fagerstagatan 9, S-163 91 Spånå
Tel: (46) (0)8 761 70 90, Fax: (46) (0)8 761 81 08
sweden@invacare.com, finland@invacare.com / www.invacare.se

Switzerland:

Invacare AG, Benkenstrasse 260, CH-4108 Witterswil
Tel: (41) (0)61 487 70 80, Fax: (41) (0)61 487 70 81
switzerland@invacare.com / www.invacare.ch

United Kingdom:

Invacare Limited, Pencoed Technology Park, Pencoed, Bridgend CF35 5AQ
Switchboard Tel: (44) (0)1656 776200, Fax: (44) (0)1656 776201
Customer services Tel: (44) (0)1656 776222, Fax: (44) (0)1656 776220
uk@invacare.com / www.invacare.co.uk